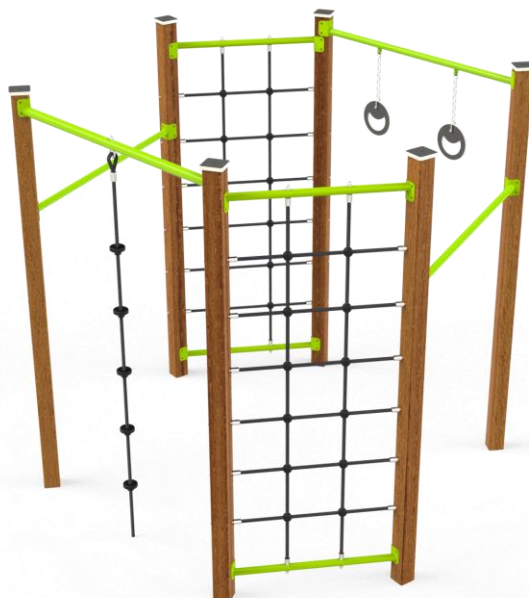


TECHNICAL DATA SHEET
CLIMBING STRUCTURE - HEXAGON
BLFJ625W

broa.



MAIN PARAMETERS

Dimensions	234 x 202 x 206 cm
Safety area	596 x 564 cm
Safety area (m ²)	27,2 m ²
Free fall height (HIC)	198 cm
Recommended age group	3-14 years
Recommended number of users	6 person
Complies with Standards	EN 1176-1

FUNCTIONS

Balance net	2 pcs
Hanging bar	2 pcs
Gymnastic ring	2 pcs
Climbing rope	1 pc



BALANCING



INTERACTION



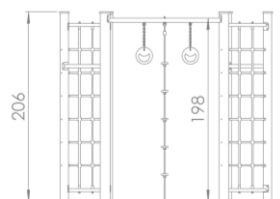
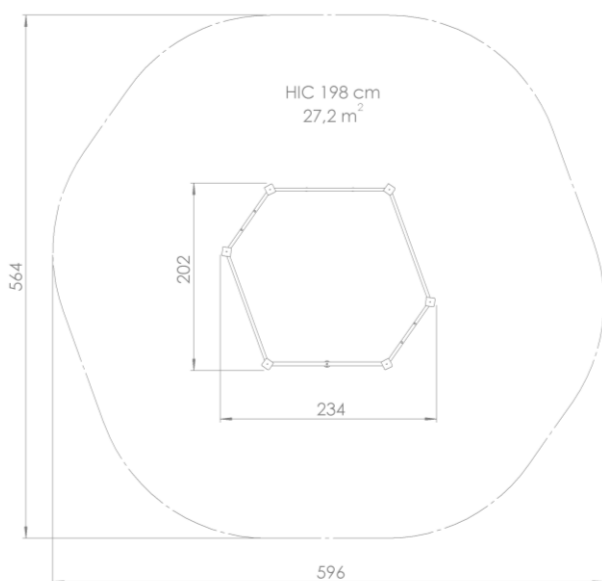
CLIMBING



HANGING

TECHNICAL DATA SHEET
CLIMBING STRUCTURE - HEXAGON
BLFJ625 W

broa.



SAFETY AREA

HIC 198 cm	27,2 m ²
HIC in Total	27,2 m ²

MATERIAL USAGE



Construction: surface-treated, laminated scots pine posts.



Bars: S235 carbon steel pipe. Surface treatment: hot dip galvanised, 2 layers PE powder coating (60-70 µm per layer).



Gymnastic ring: 15 mm, contour milled, UV resistant HDPE plate.



Fasteners, chains: stainless steel.



Ropes: steel fibre reinforced, braided PP rope, threaded endings. Plastic, injection moulded PA knots.