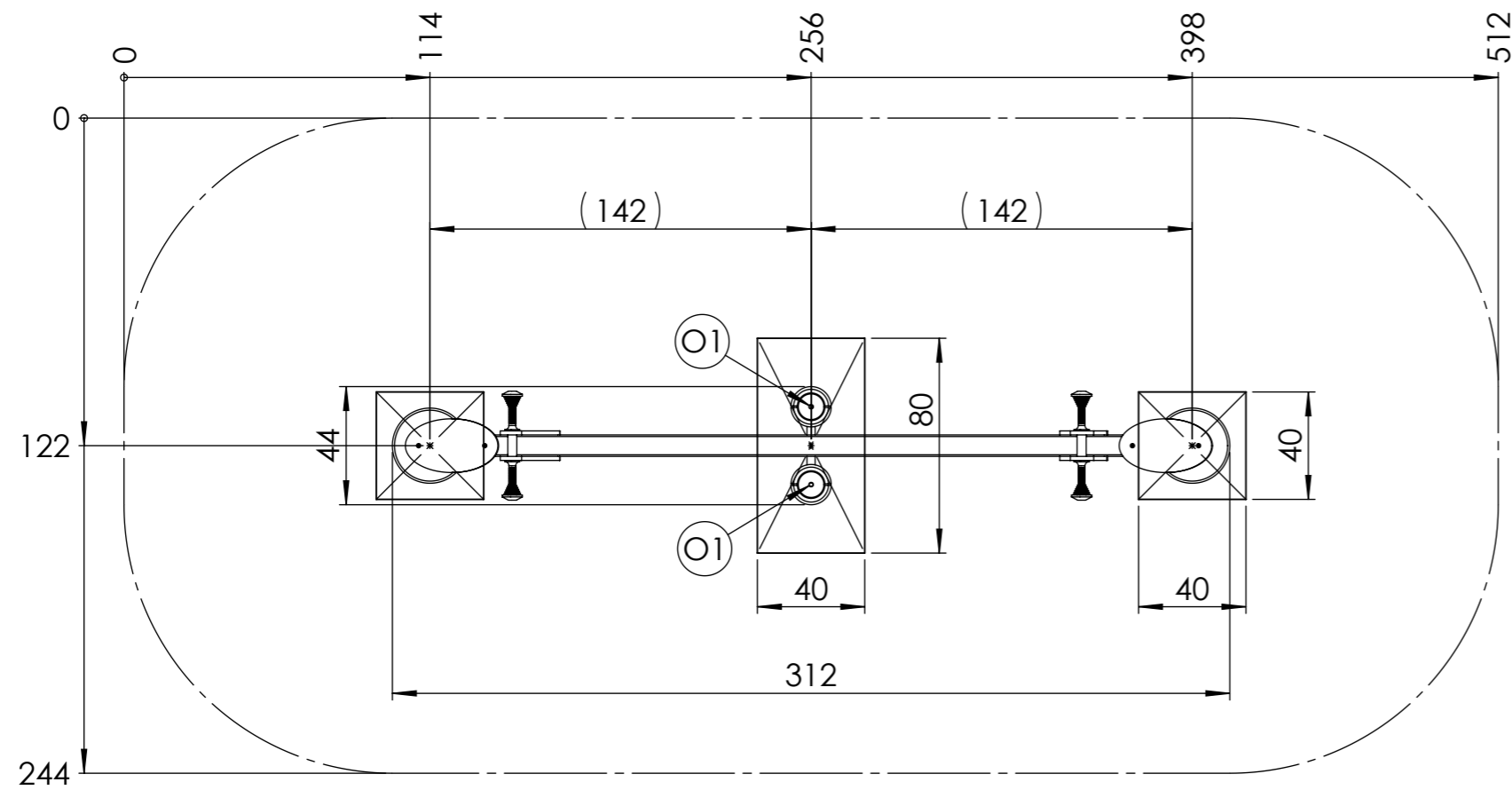
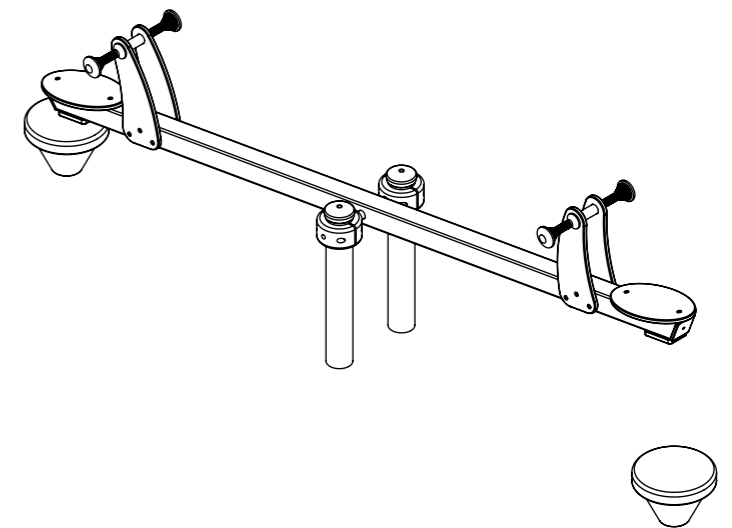
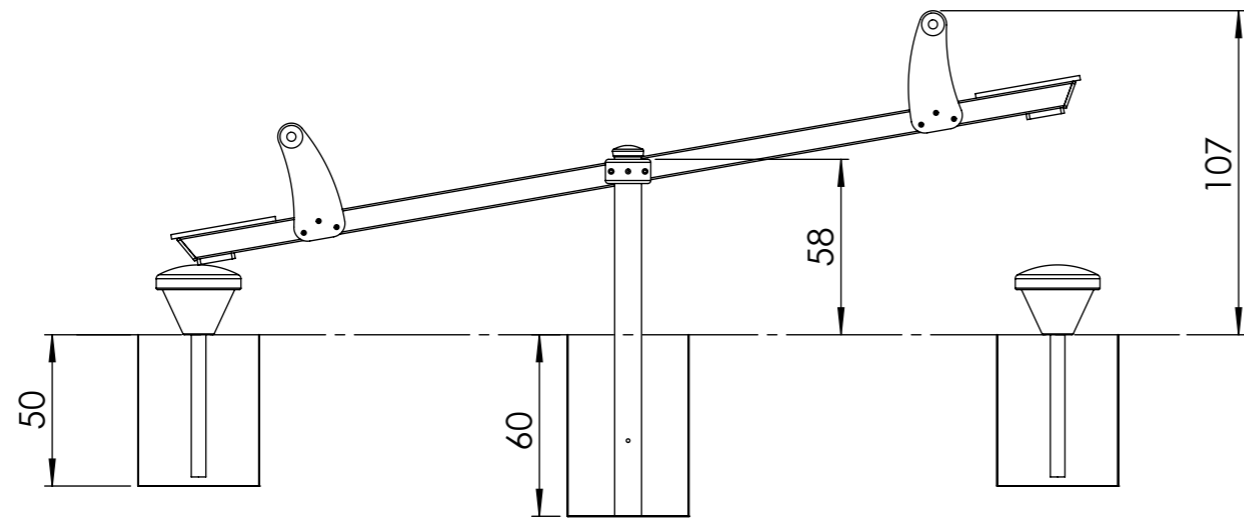


|              |  |  |                            |             |                         |
|--------------|--|--|----------------------------|-------------|-------------------------|
| <b>broa.</b> |  |  | Name<br>Seesaw<br>BLFJ501D |             | Material<br>-           |
|              |  |  | Date<br>2025. 09. 04.      | Page<br>1/2 | Drawing<br>Installation |



**broa.**

Name  
Seesaw  
BLFJ501D

Material

-

Date  
2025. 09. 04.

Page  
2/2

Drawing  
Installation

Scale  
1:25

ID  
BLFJ501D "A"