



broa.

Name / Namn.

Combined swing 1 / Gungställning H
FLFJ108B / BLFJ108B

Date / Datum

2026. 02. 20.

Monogram

DK

Page /
sida

1/8

Drawing

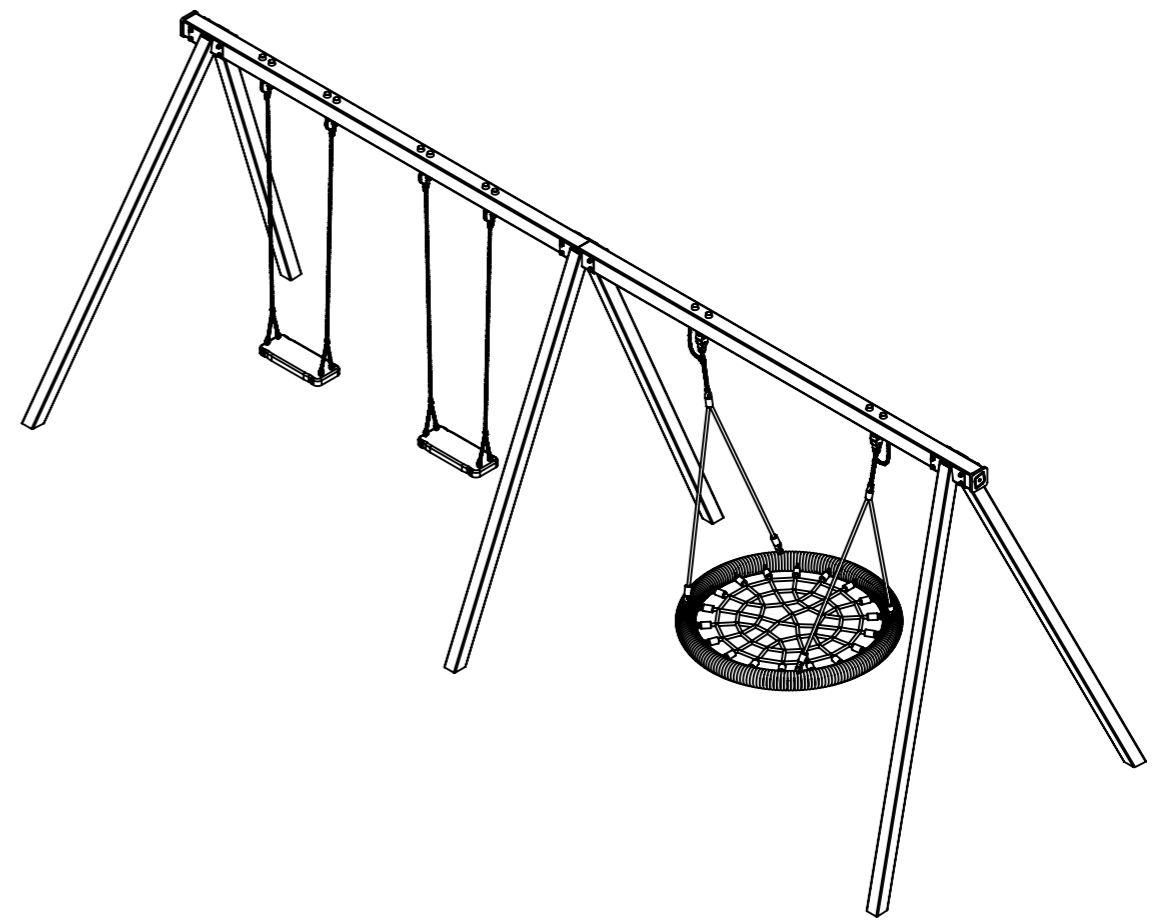
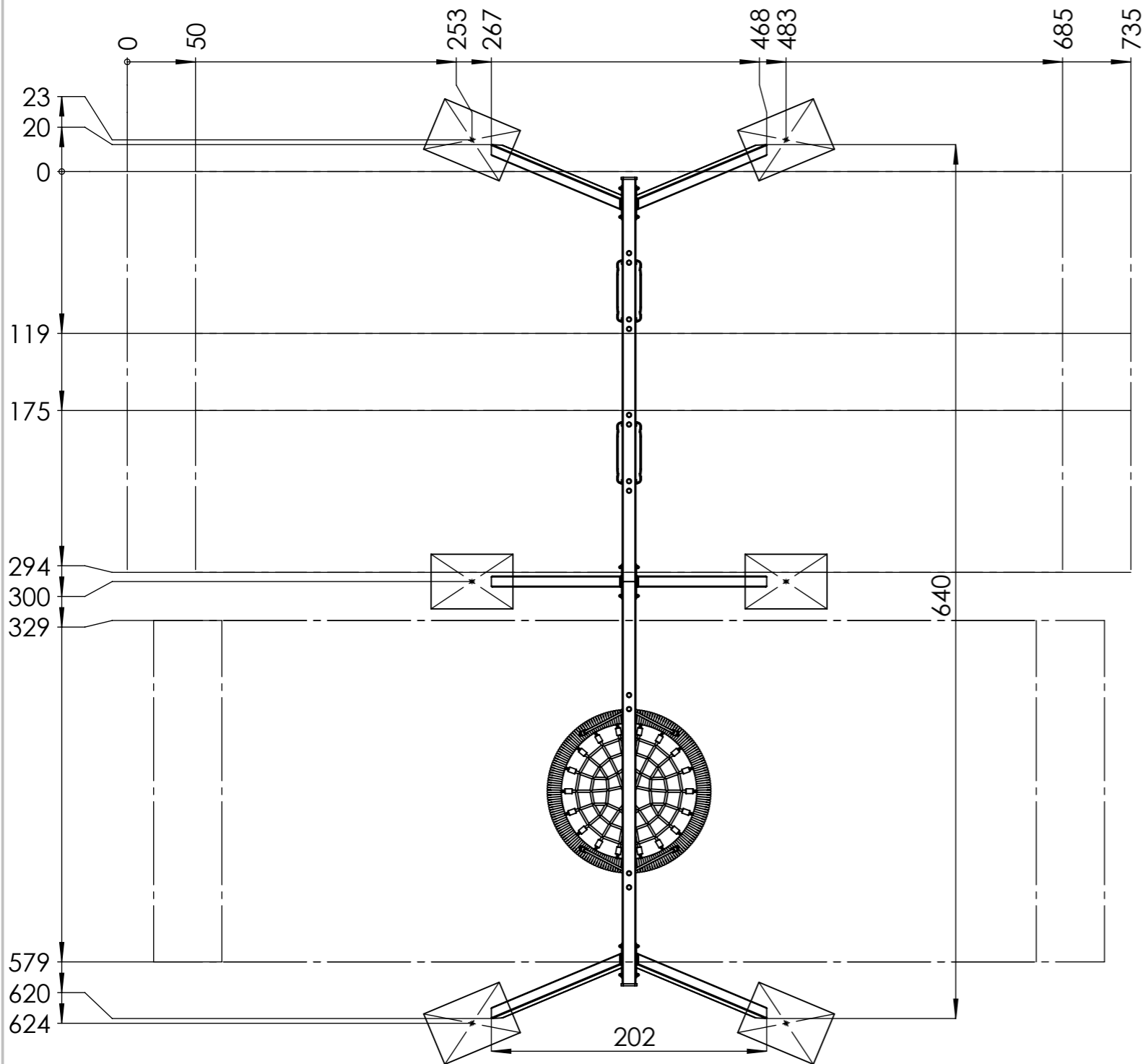
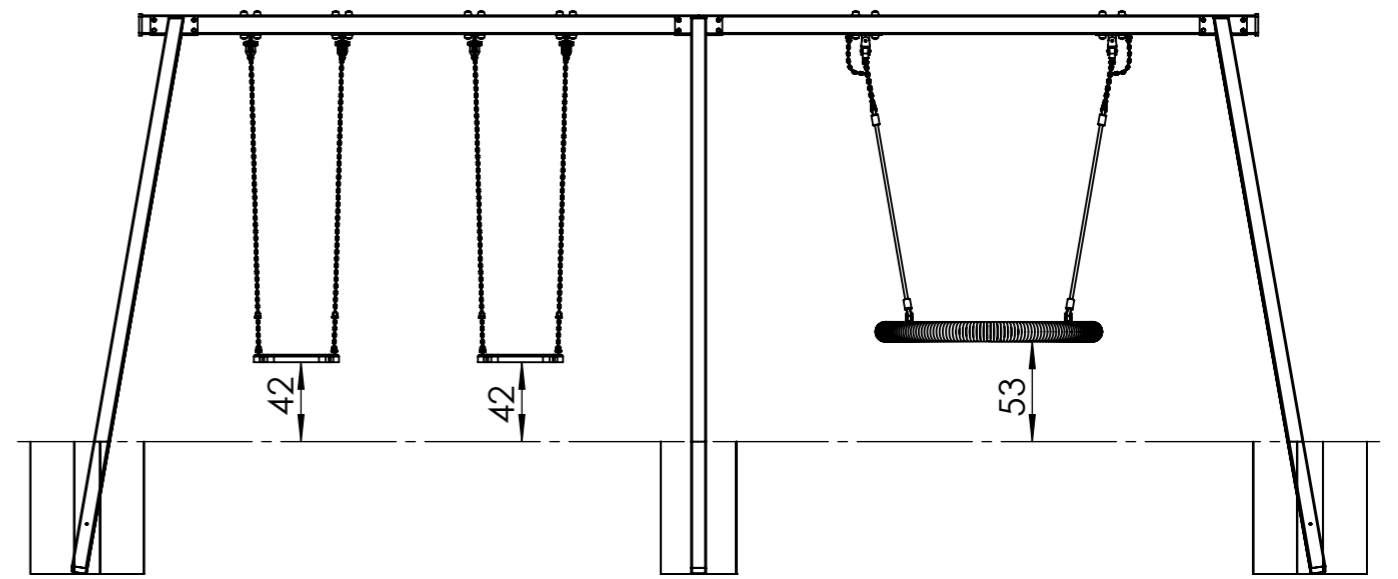
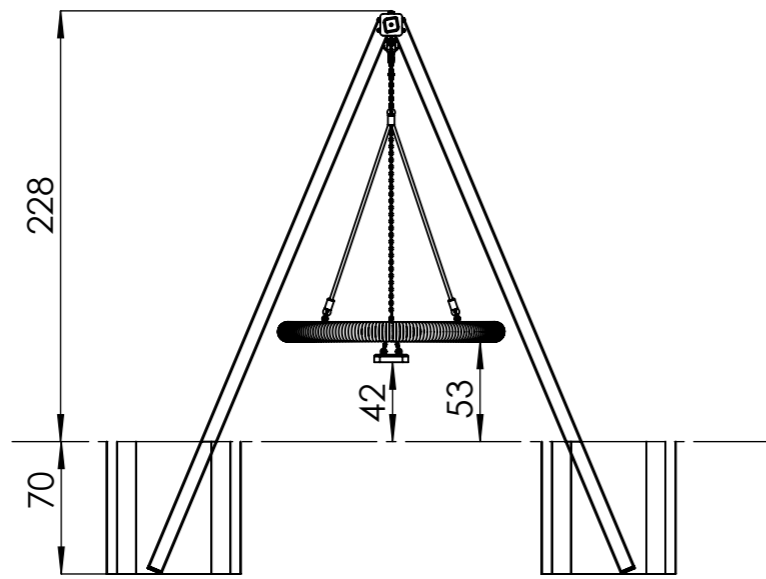
Assembly

Scale /
skala.

1:20

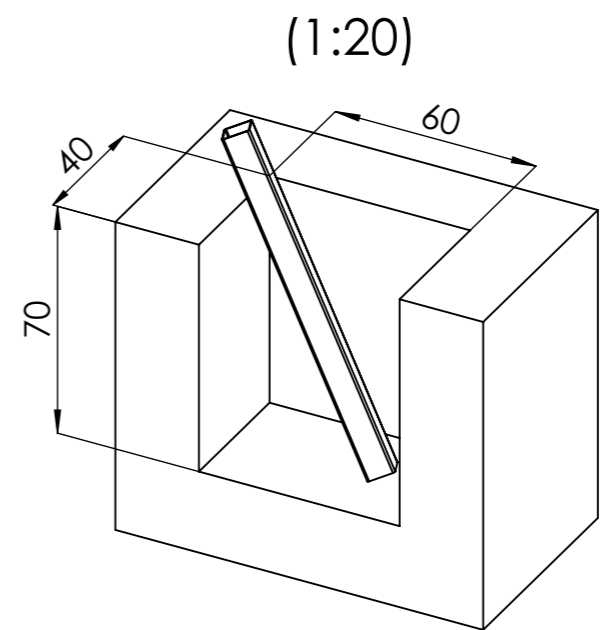
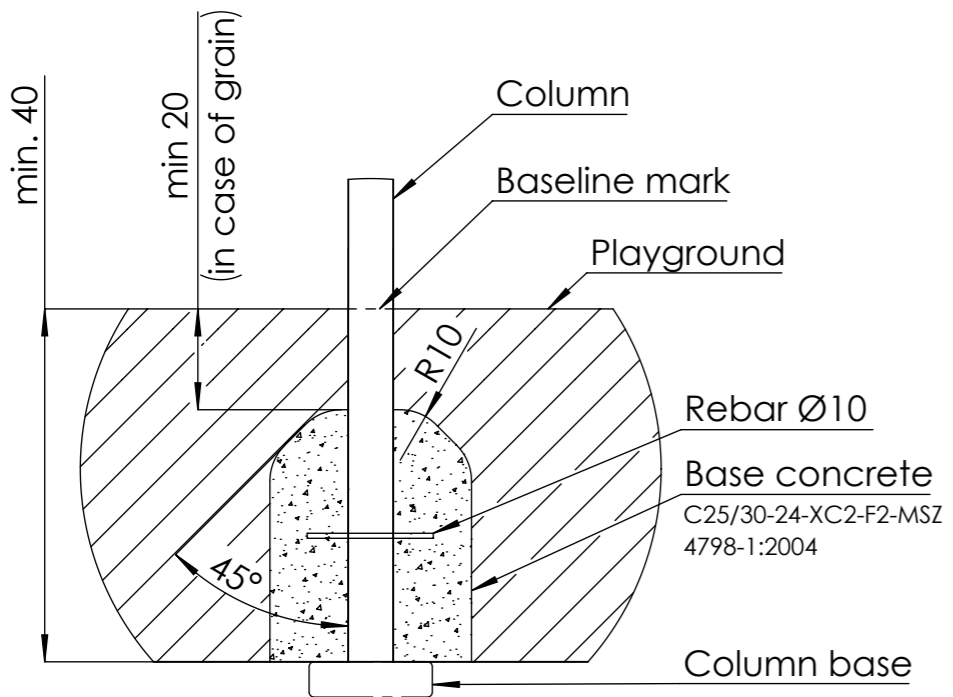
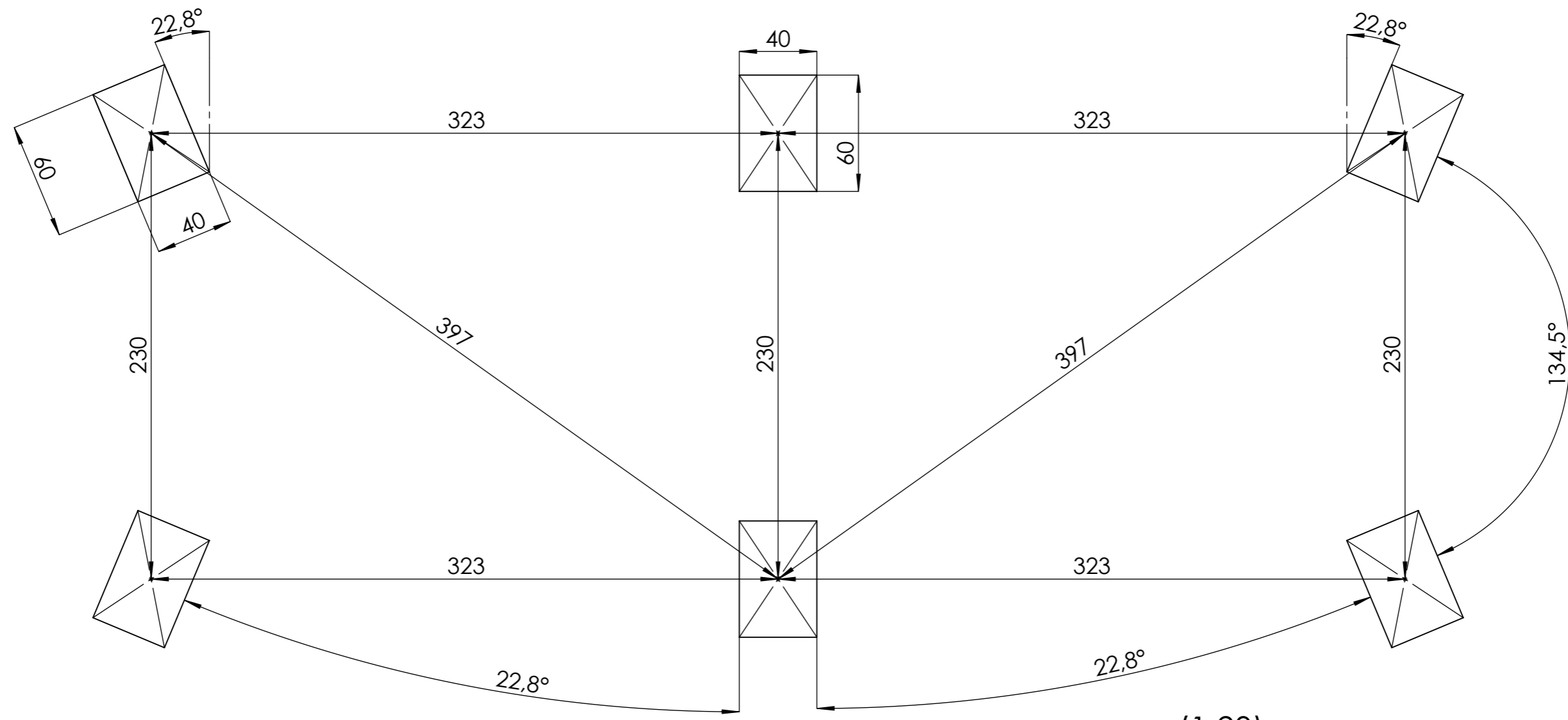
ID / Art. nr.

FLFJ108B



Measures are in cm

			Name / Namn.		
			Combined swing 1 - Installation FLFJ108B/BLFJ108B		
Date / Datum	Monogram	Page / sida	Drawing	Scale / skala.	ID / Art. nr.
2026. 02. 20.	DK	2/8	Assembly	1:40	FLFJ108B



Measures are in cm

General foundation plan (1:15)

broa.

Name / Namn
Combined swing 1 / - Pier foundation
FLFJ108B/BLFJ108B

Date / Datum	Monogram	Page / sida
2026. 02. 20.	DK	3/8

Name / Namn.	Scale / skala.	ID / Art. nr.
Assembly	1:30	FLFJ108B

BOM

NR.	NAME/NAMN.	ID/ART NR.	QT./ST
1.	Swing beam 1	FAB24747	1
2.	Swing beam 2	FAB24748	1
3.	HZ1	FAB21671_A	2
4.	HZ2	FAB21672_A	2
5.	HZ3	FAB21221	2
6.	Swing beam cap	FAB23567_A	2
7.	Swing beam connector	FAB24746	1
8.	Swing hook		4
9.	Swing hook for nest swing		2
10.	Swing seat		2
11.	Nest swing		1
12.	Chain plug,	K1	6
13.	M8x30 Countersunk socket head screw	K2	2
14.	M10 split lock washer,	K3	24
15.	M10 washer	K4	24
16.	M10 cap nut	K5	24
17.	M10x140 threaded rod	K6	12
18.	M6x30 socket head cap screw	K7	10
19.	Shackle M6	K8	8
20.	M6 self-locking nut	K9	10
21.	M12x60 socket head cap screw	K10	4
22.	Shackle M12	K11	4
23.	M12 self-locking nut	K12	4
24.	Ø10 rebar for foundation		6

broa.

Name / Namn.

Combined swing 1 - BOM

FLFJ108B / BLFJ108B

Drawing

Assembly

ID / Art. nr.

FLFJ108B

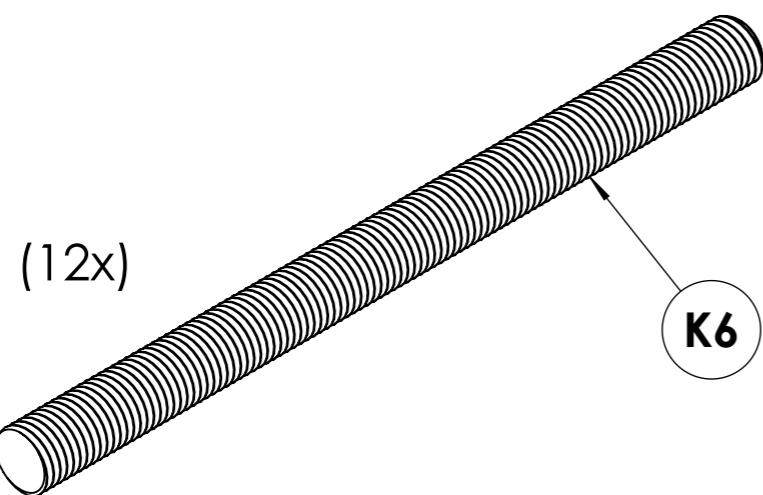
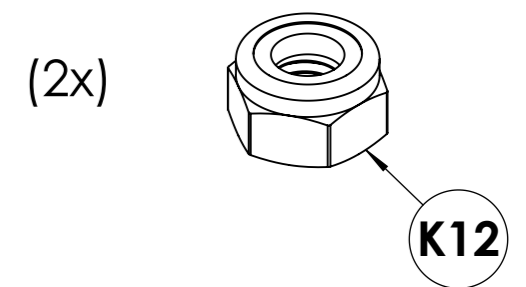
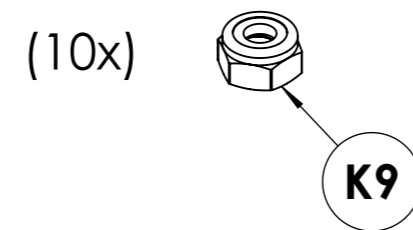
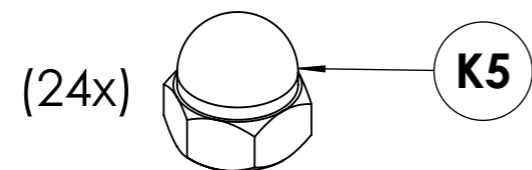
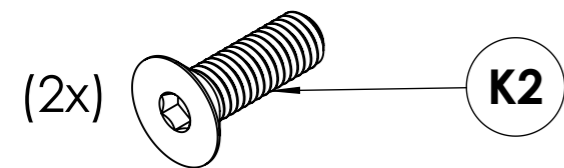
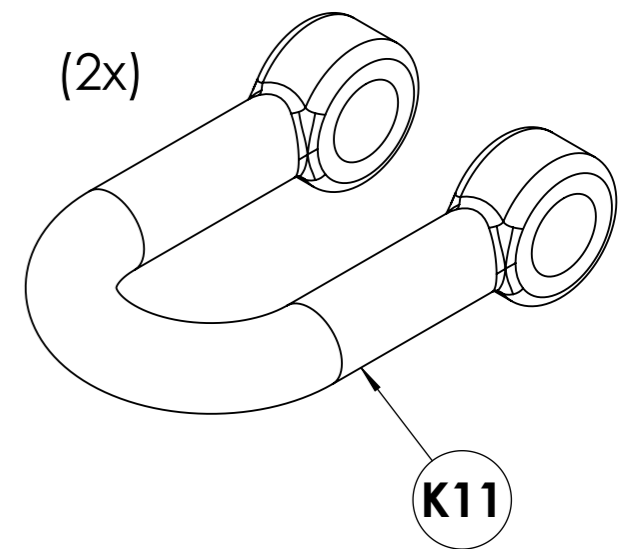
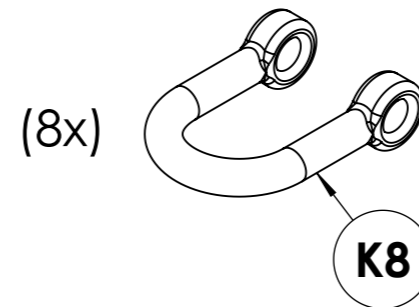
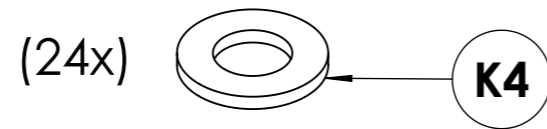
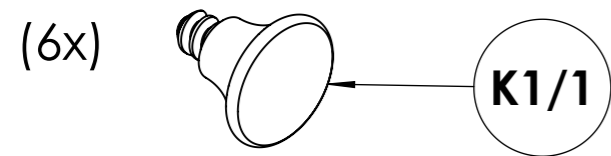
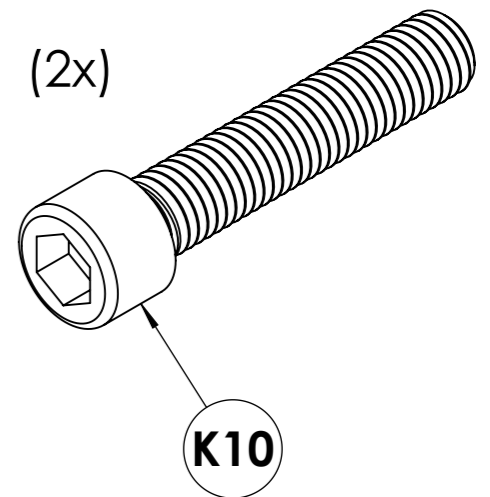
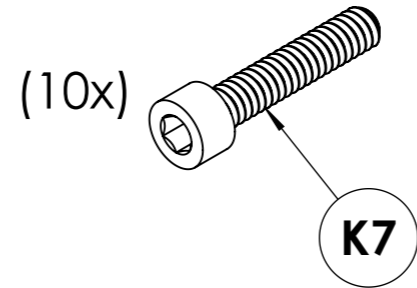
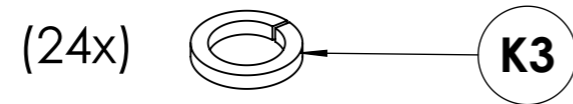
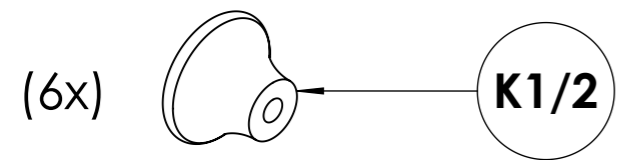
Date / Datum

2026. 02. 20.

Monogram

DK

Page /
sida
4/8



broa.

Name / Namn.

Combined swing 1 / *Kombinált hinta 1* - Fasteners
FLFJ108B / BLFJ108B

Date / Datum

2026. 02. 20.

Monogram

DK

Page /
sida

5/8

Drawing

Assembly

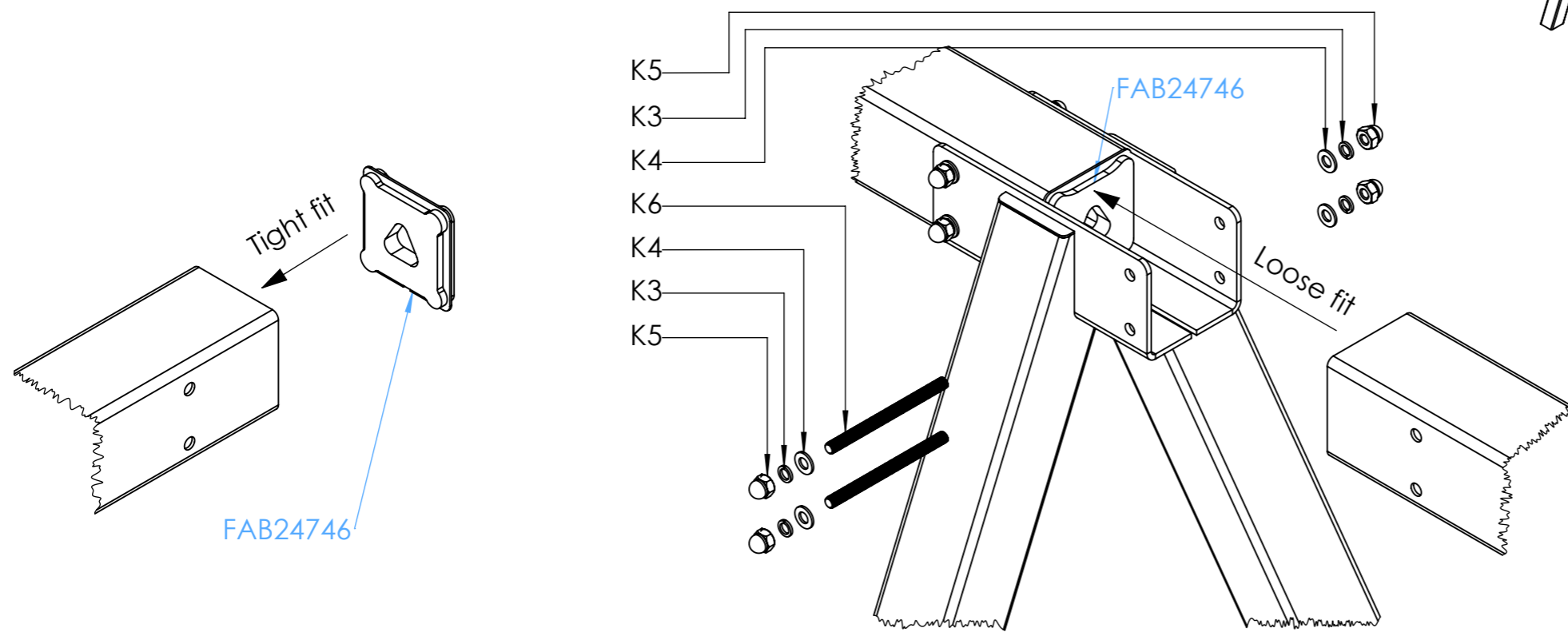
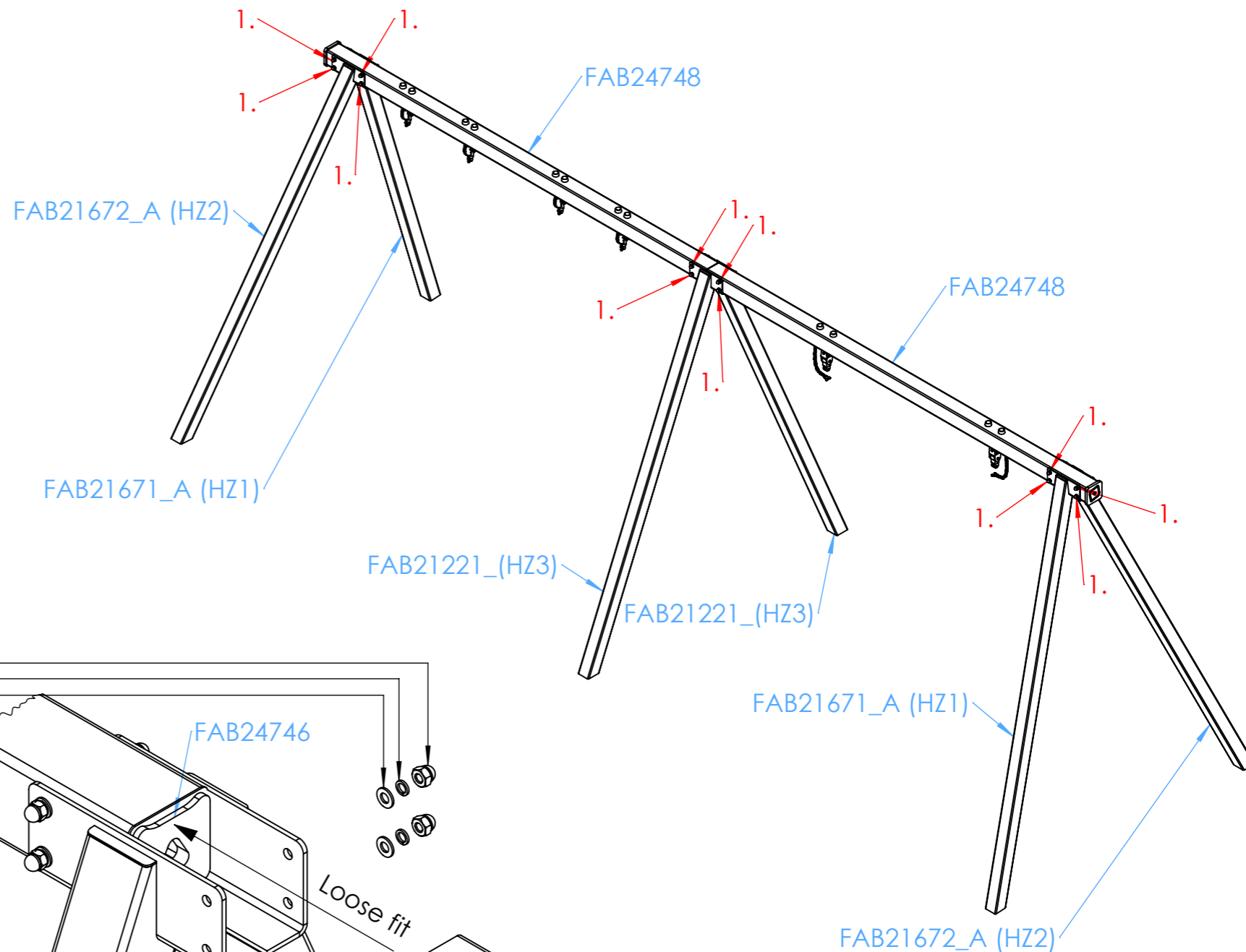
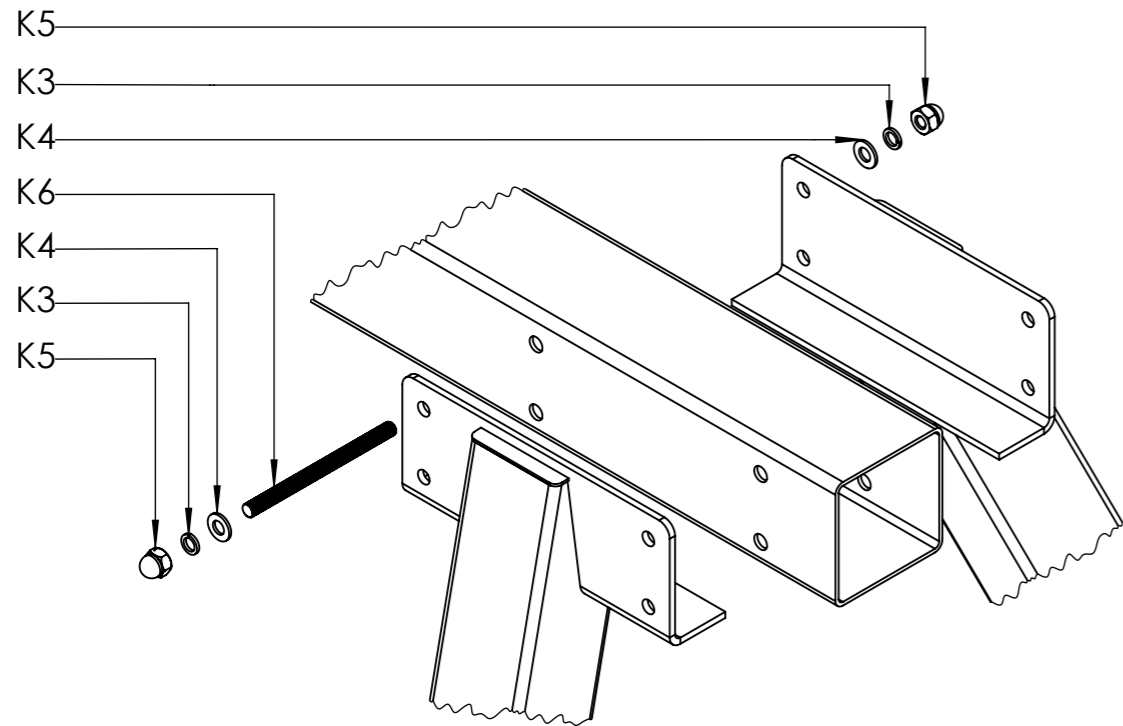
Scale /
skala.

1:1

ID / Art. nr.

FLFJ108B

1.
(1:5)



broa.

Name / Namn.
Combined swing 1 - Structure
FLFJ108B / BLFJ108B

Date / Datum
2026. 02. 20.

Monogram
DK

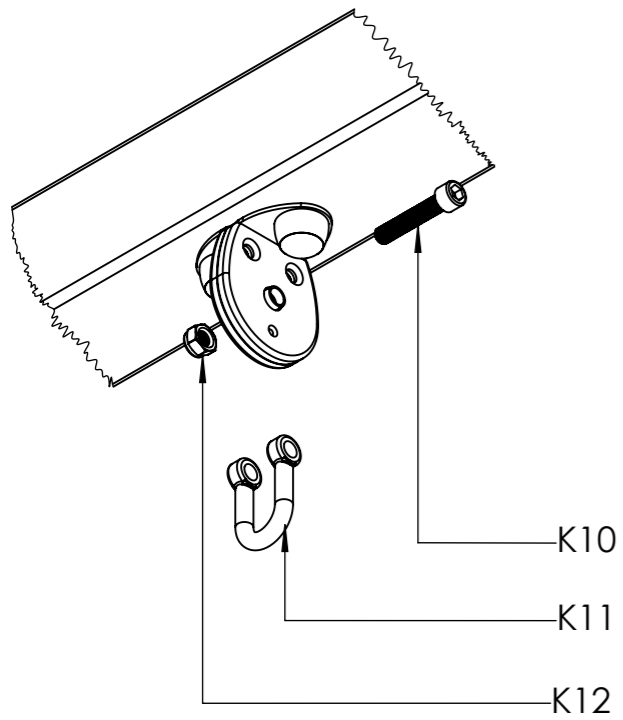
Page / sida
6/8

Drawing
Assembly

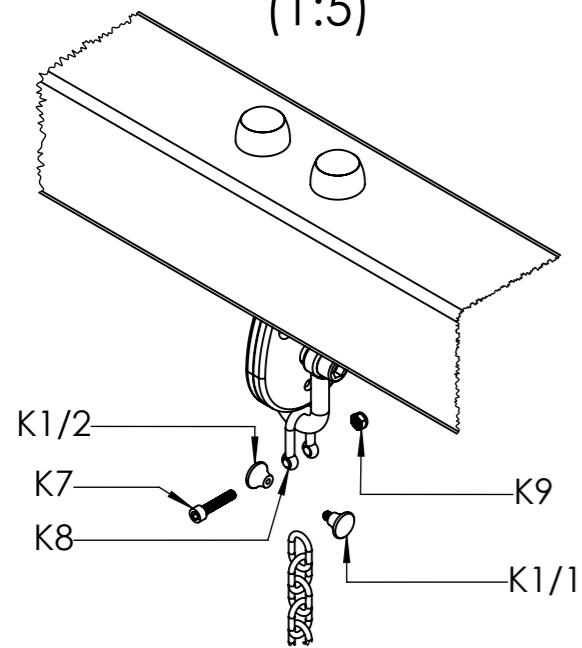
Scale / skala.
1:30

ID / Art. nr.
FLFJ108B

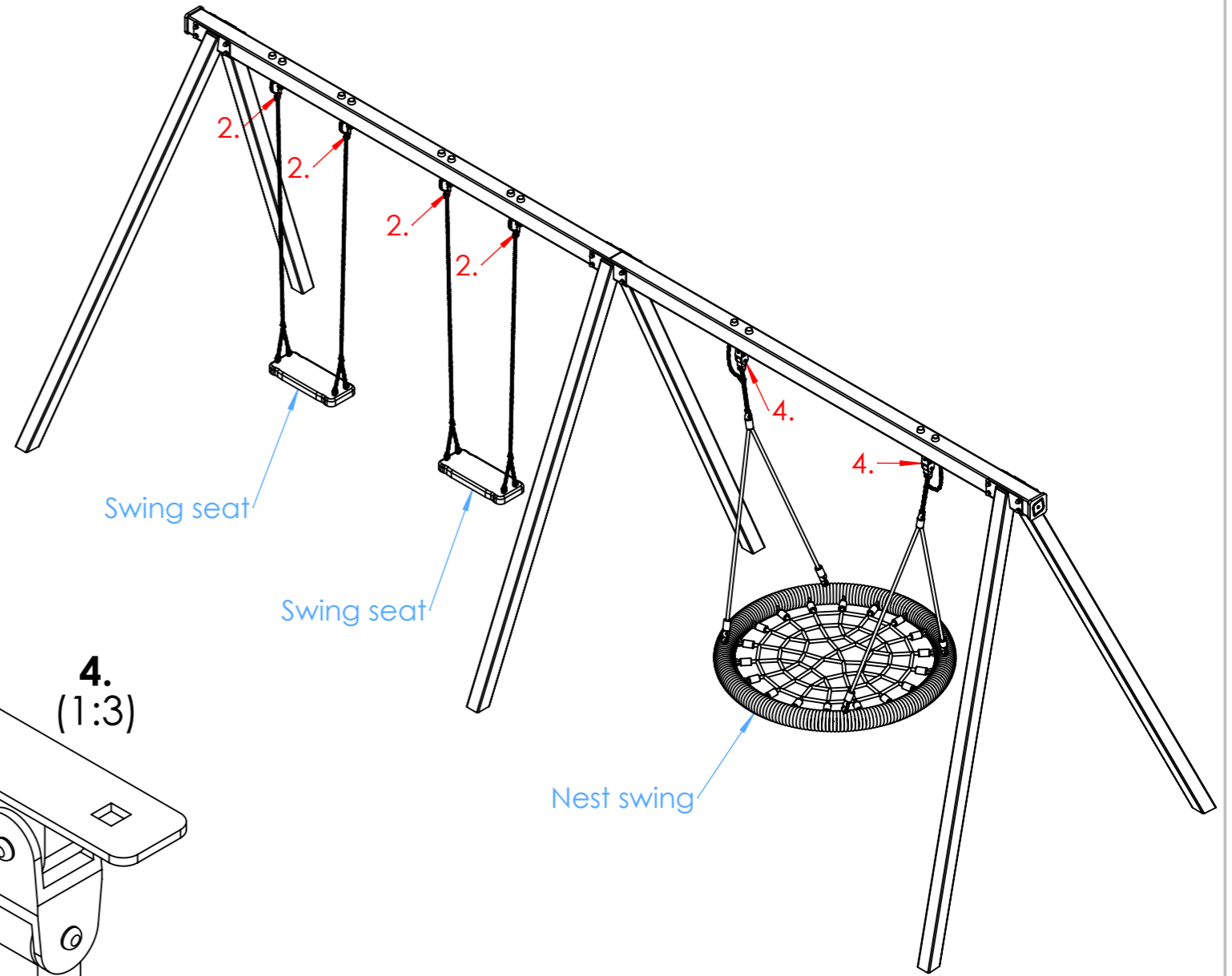
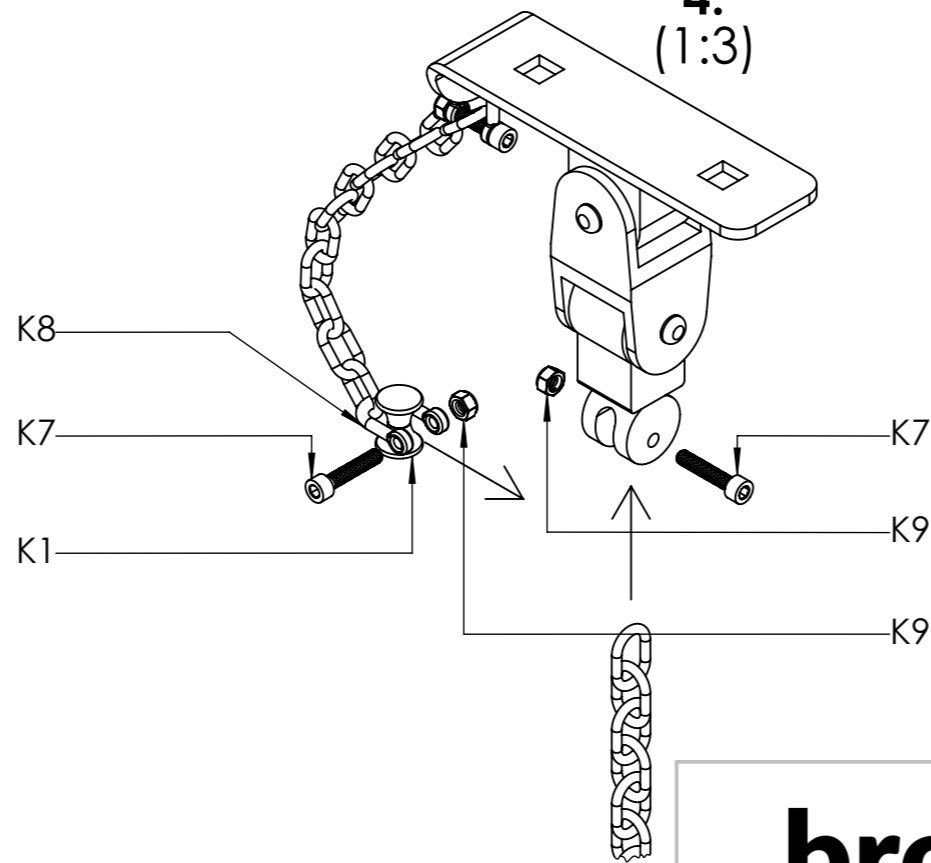
2.
(1:5)



(1:5)



4.
(1:3)



broa.

Name / Namn.

Combined swing 1 - Swing installation
FLFJ108B / BLFJ108B

Date / Datum

2026. 02. 20.

Monogram

DK

Page / sida

7/8

Drawing

Assembly

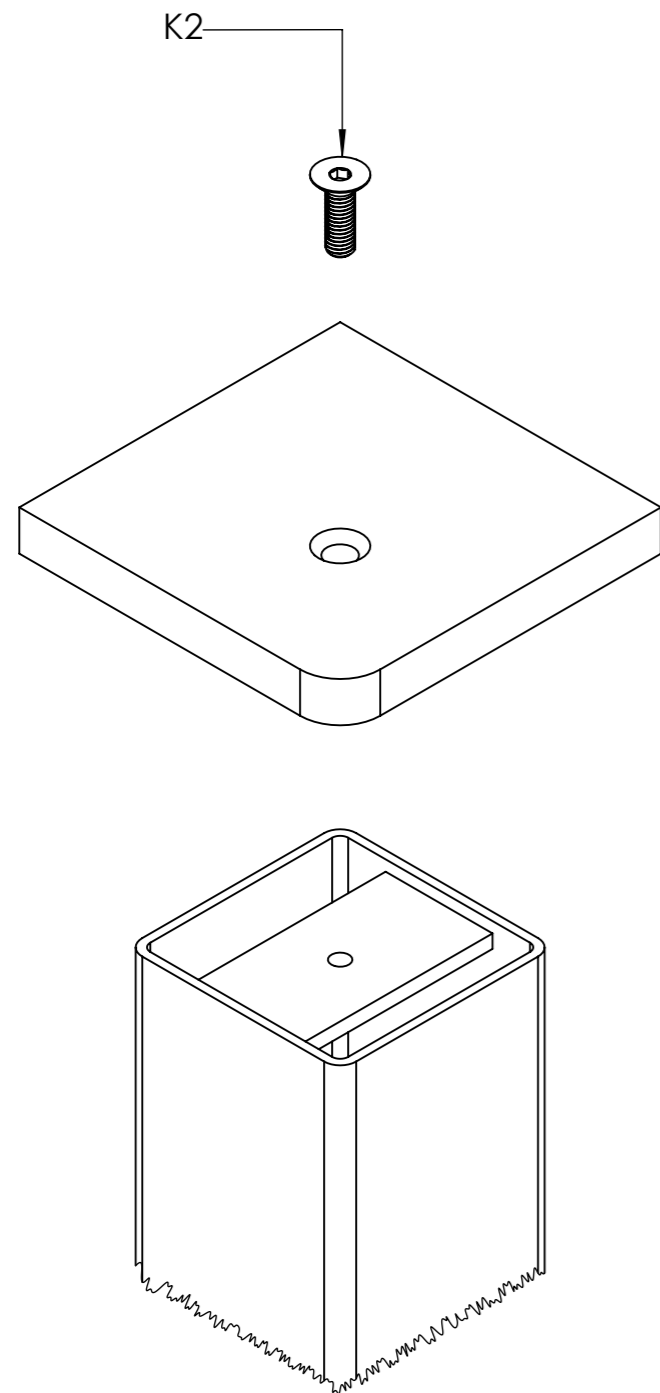
Scale / skala.

1:30

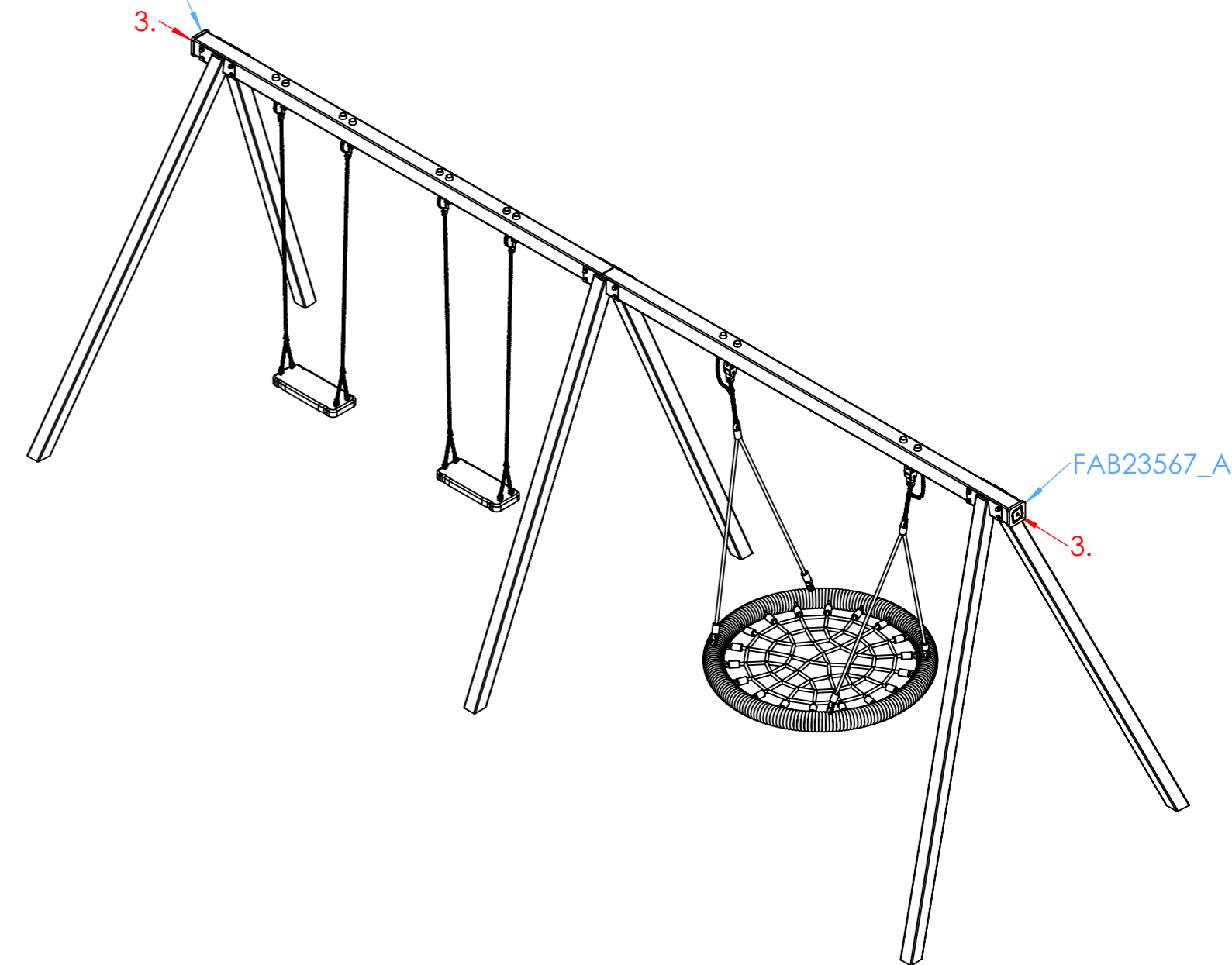
ID / Art. nr.

FLFJ108B

3.
(1:2)



FAB23567_A



broa.

Name / Namn.

Combined swing 1 / HDPE Installation
FLFJ108B / BLFJ108B

Date / Datum

2026. 02. 20.

Monogram

DK

Page /
sida

8/8

Drawing

Assembly

Scale /
skala.

1:30

ID / Art. nr.

FLFJ108B