



**broa.**

Name / Namn  
Inclusive swing  
**FLFJ106B / BLFJ106B**

Date / Datum  
2025. 08. 29.

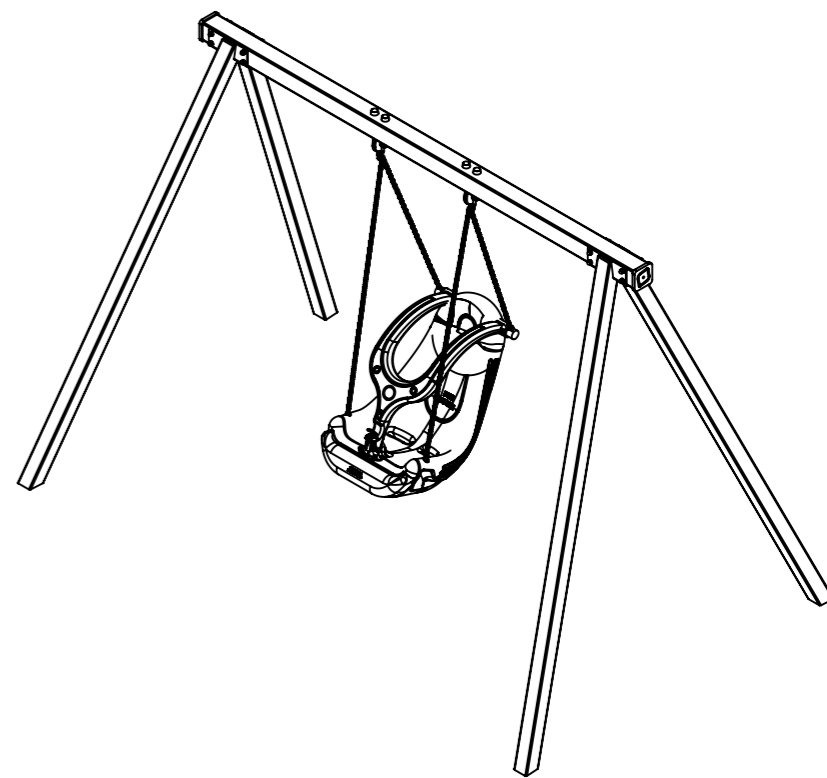
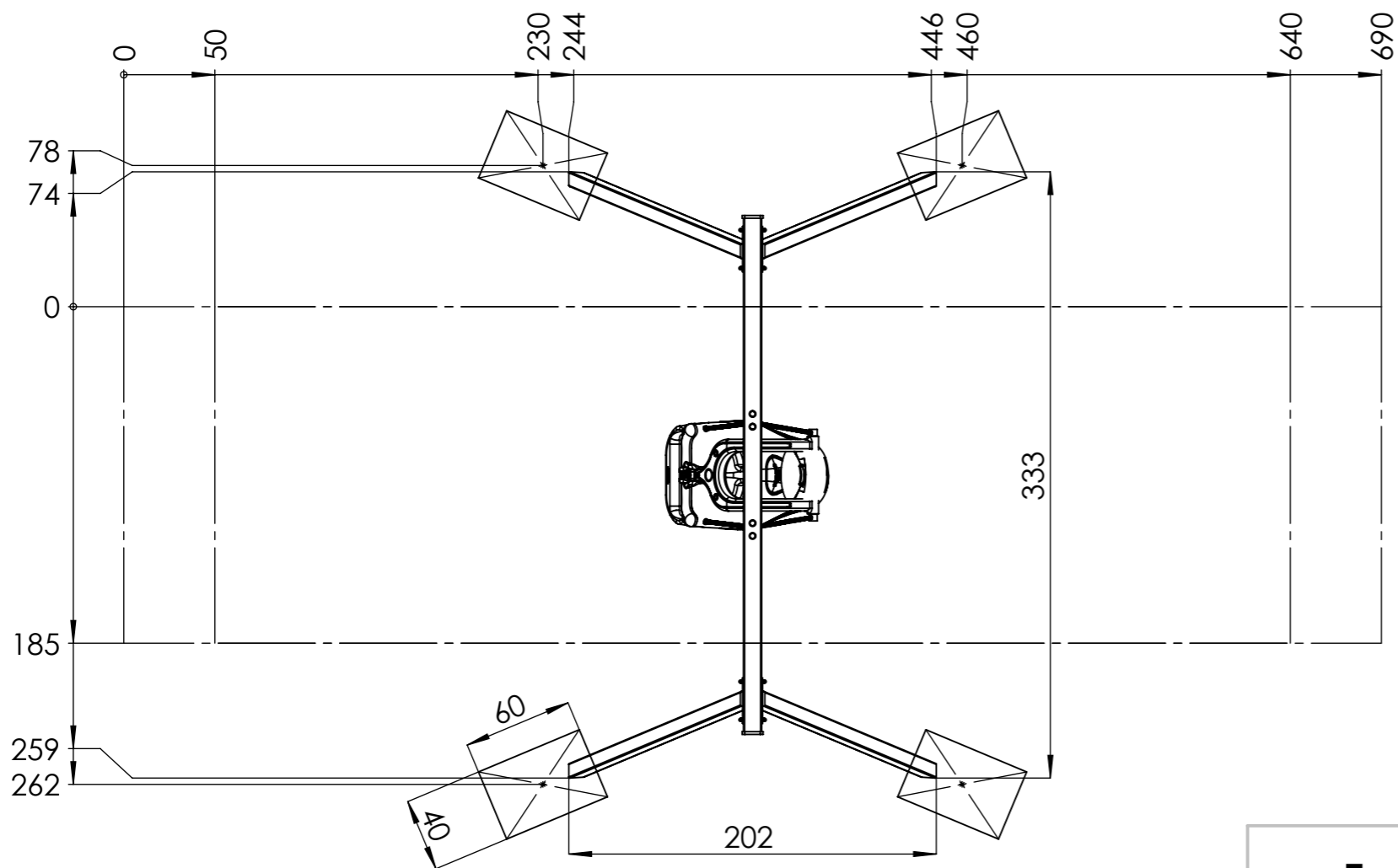
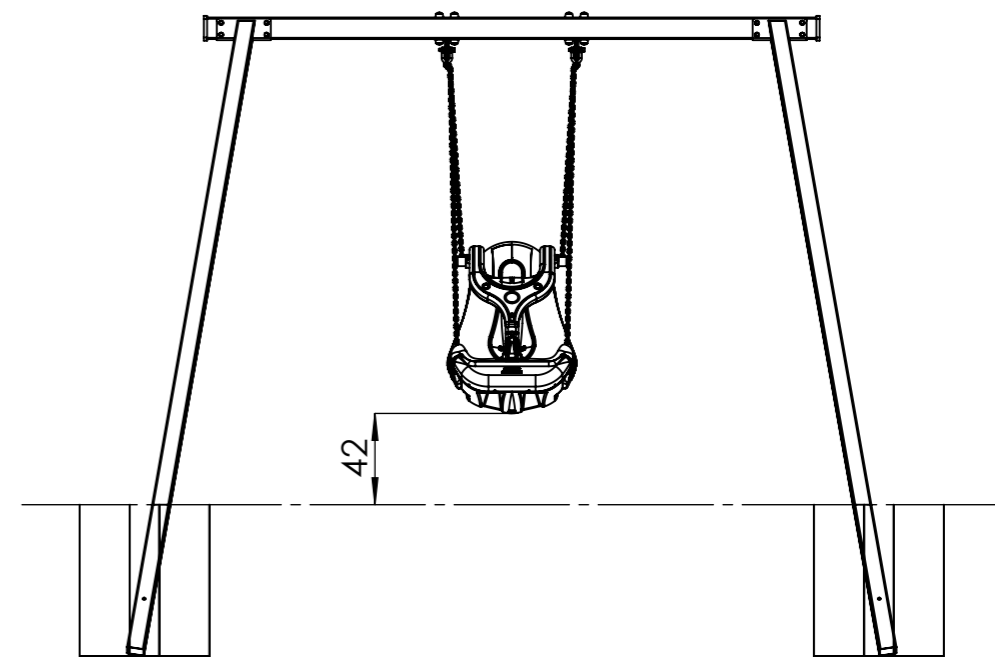
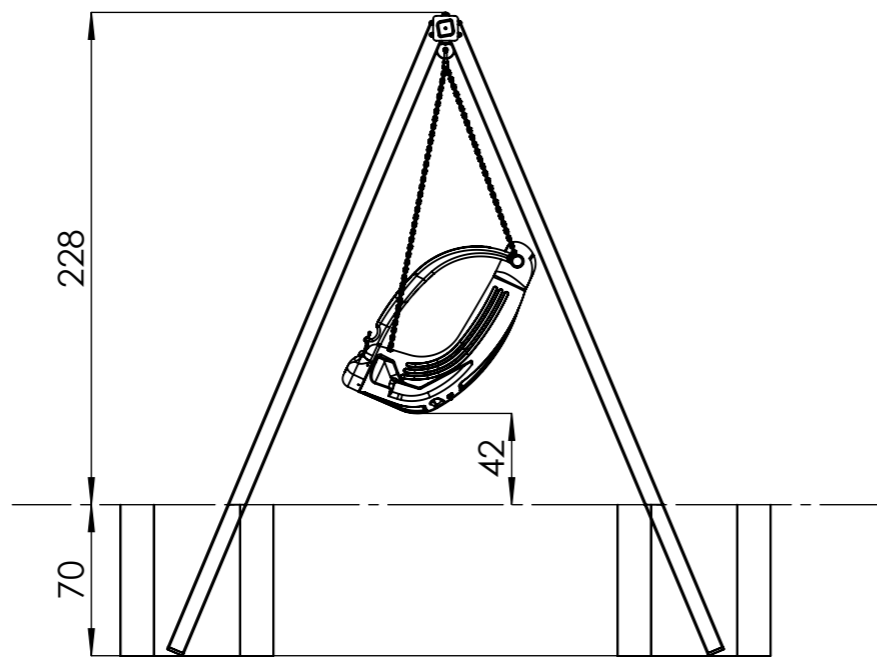
Sign.  
DK

Page /  
sida  
1/8

Drawing / *Rajz*  
Assembly

Scale /  
skala  
1:20

ID.  
FLFJ106B



Measurements are in cm

**broa.**

Name / Namn  
Inclusive swing - Installation  
**FLFJ106B / BLFJ106B**

Date / Datum

Sign.

Page / sida

Drawing / Rajz

Scale / skala

ID.

2025. 08. 29.

DK

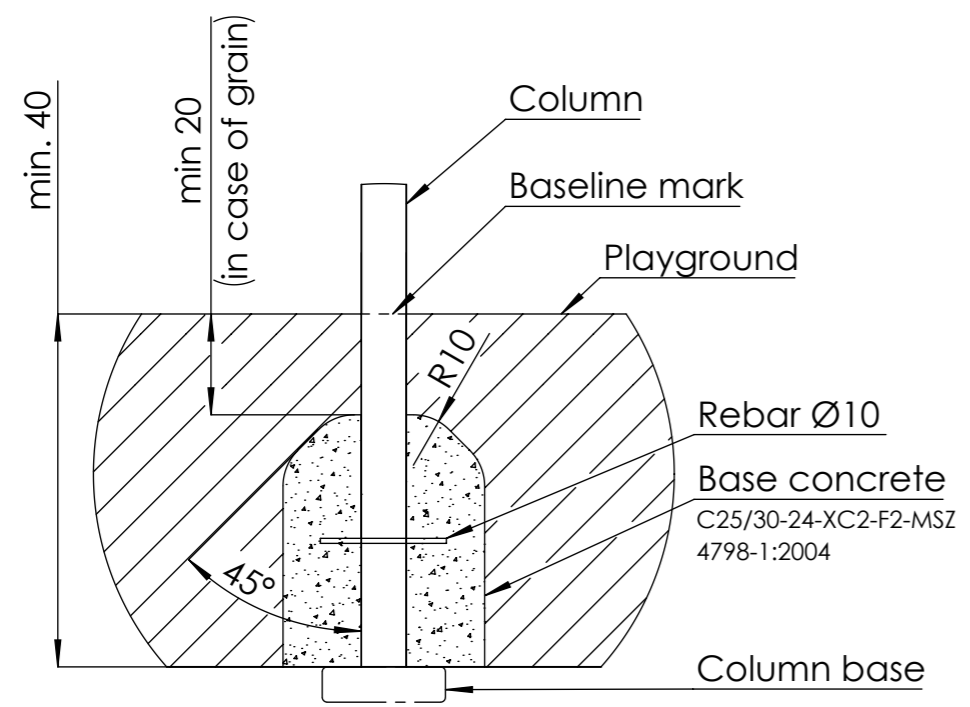
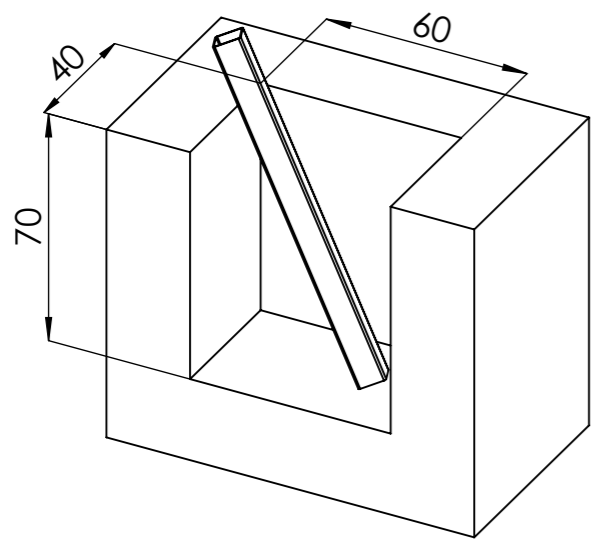
2/8

Assembly

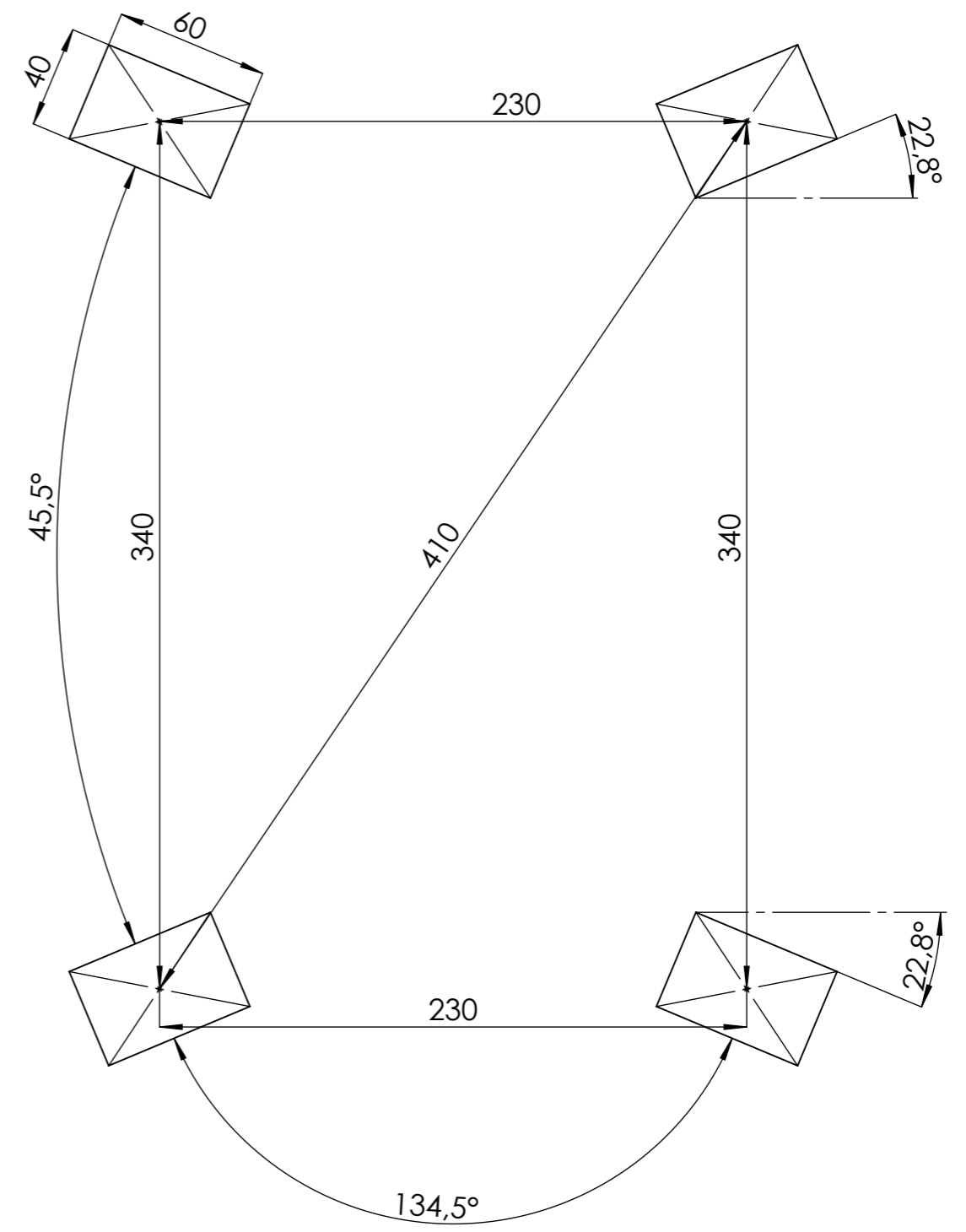
1:35

FLFJ106B

(1:20)



General foundation plan (1 : 15)



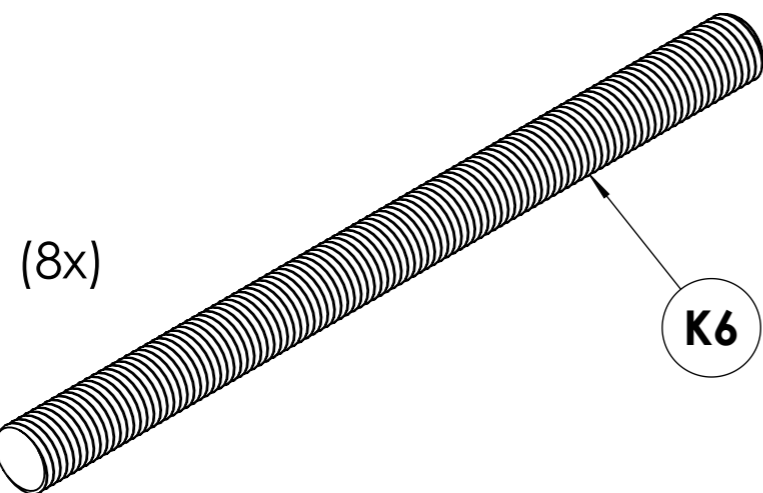
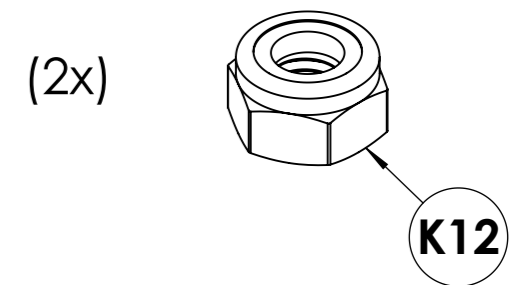
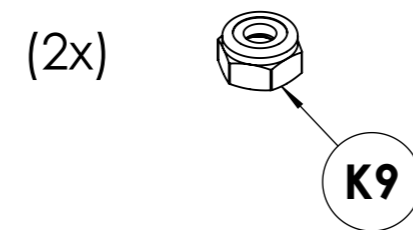
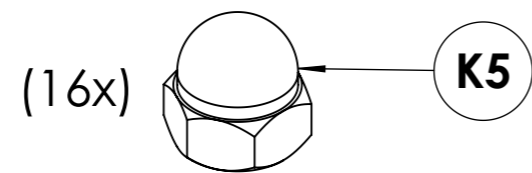
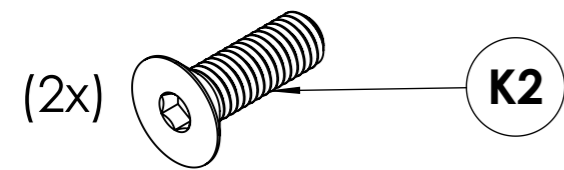
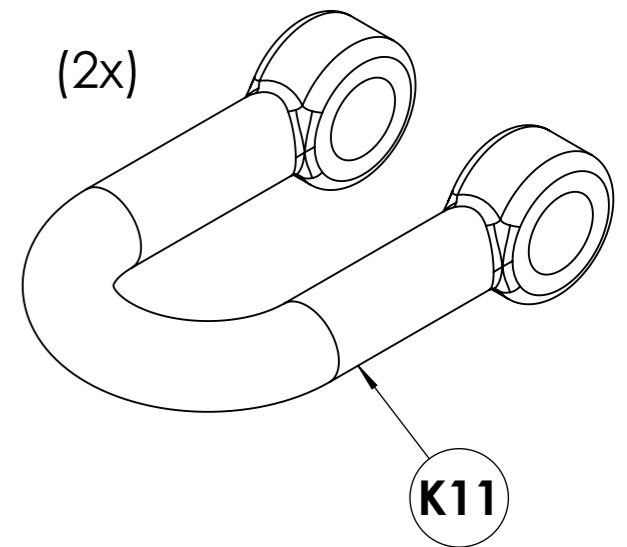
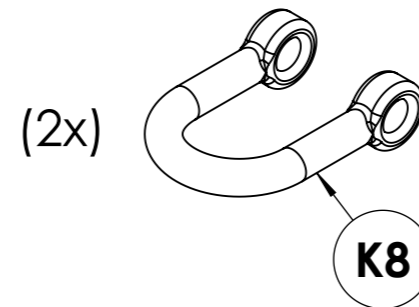
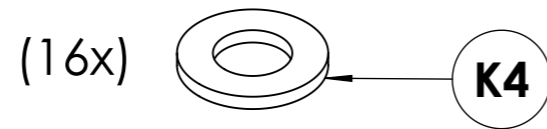
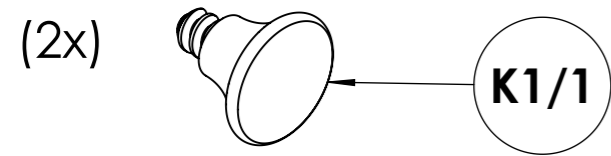
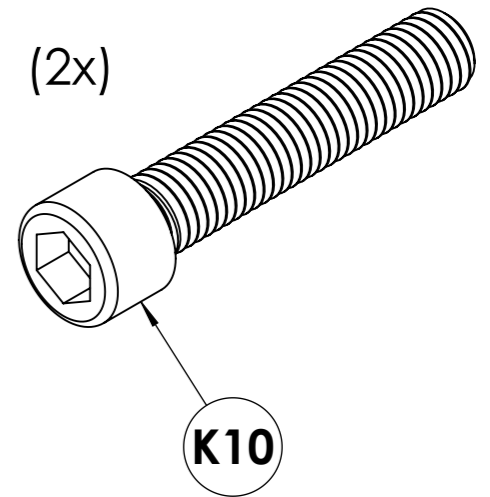
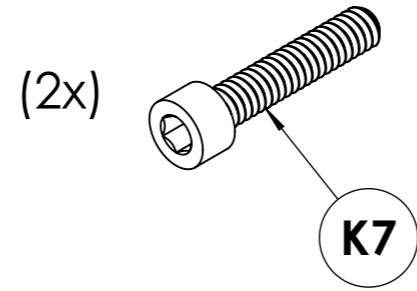
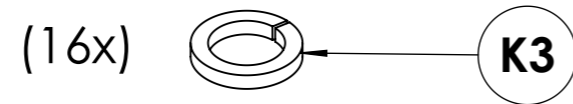
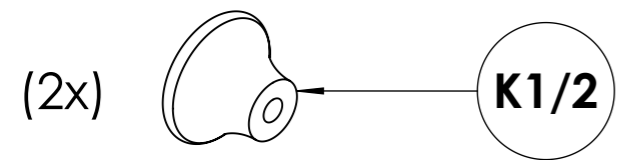
Measurements are in cm

|               |       |             |   |               |          |
|---------------|-------|-------------|---|---------------|----------|
|               |       |             | Name / Namn   |               |          |
|               |       |             | Inclusive swing - Pier foundation<br><b>FLFJ106B / BLFJ106B</b> |               |          |
| Date / Datum  | Sign. | Page / sida | Drawing / Rajz  | Scale / skala | ID.      |
| 2025. 08. 29. | DK    | 3/8         | Assembly  | 1:30          | FLFJ106B |

**BOM**

| NR. | NAME/NAMN                           | ID         | QT./ST |
|-----|-------------------------------------|------------|--------|
| 1.  | Swing beam                          | FAB20601_B | 1      |
| 2.  | HZ1                                 | FAB21671_A | 2      |
| 3.  | HZ2                                 | FAB21672_A | 2      |
| 4.  | Swing beam cap                      | FAB23567_A | 2      |
| 5.  | Swing hook                          |            | 2      |
| 6.  | Inclusive swing seat                |            | 1      |
| 8.  | Chain plug                          | K1         | 2      |
| 9.  | M8×30 Countersunk socket head screw | K2         | 2      |
| 10. | M10 split lock washer               | K3         | 16     |
| 11. | M10 washer                          | K4         | 16     |
| 12. | M10 cap nut                         | K5         | 16     |
| 13. | M10×140 threaded rod                | K6         | 8      |
| 14. | M6x30 socket head cap screw         | K7         | 2      |
| 15. | Shackle M6                          | K8         | 2      |
| 16. | M6 self-locking nut                 | K9         | 2      |
| 17. | M12x60 socket head cap screw        | K10        | 2      |
| 18. | Shackle M12                         | K11        | 2      |
| 19. | M12 self-locking nut                | K12        | 2      |
| 20. | Ø10 rebar for foundation            |            | 4      |

|               |       |             |  |  |
|---------------|-------|-------------|--|--|
|               |       |             | Name / Namn<br>Inclusive swing - BOM<br><b>FLFJ106B / BLFJ106B</b> |  |
|               |       |             | Drawing / Rajz   |  |
| Date / Datum  | Sign. | Page / sida | ID.  |  |
| 2025. 08. 29. | DK    | 4/8         | Assembly<br>FLFJ106B   |  |



**broa.**

Name / Namn

Inclusive swing - Fasteners  
**FLFJ106B / BLFJ106B**

Drawing / Rajz

Assembly

Scale /  
skala

1:1

ID.

FLFJ106B

Date / Datum

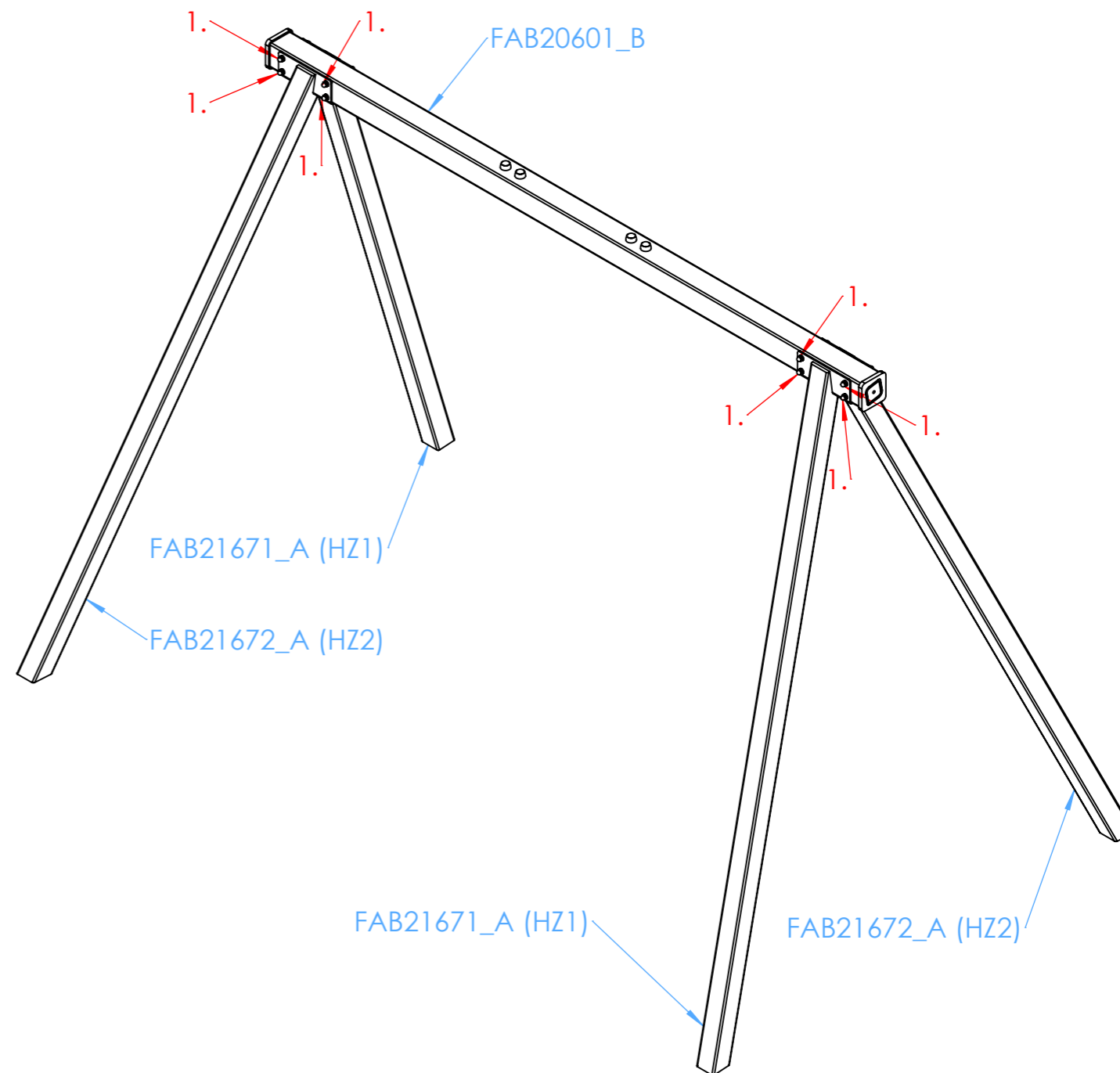
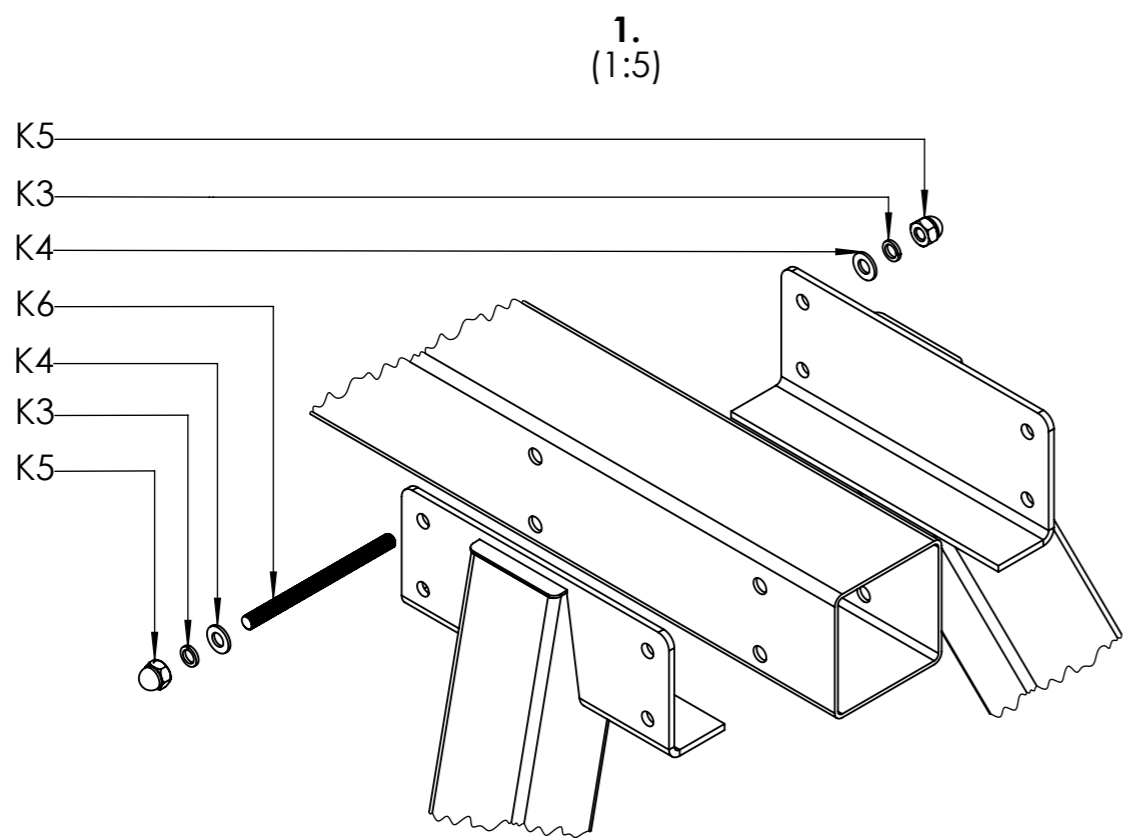
2025. 08. 29.

Sign.

DK

Page /  
sida

5/8



**broa.**

Name / Namn  
Inclusive swing - Structure  
**FLFJ106B / BLFJ106B**

Date / Datum

Sign.

Page /  
sida

Drawing / *Rajz*

Scale /  
skala

ID.

2025. 08. 29.

DK

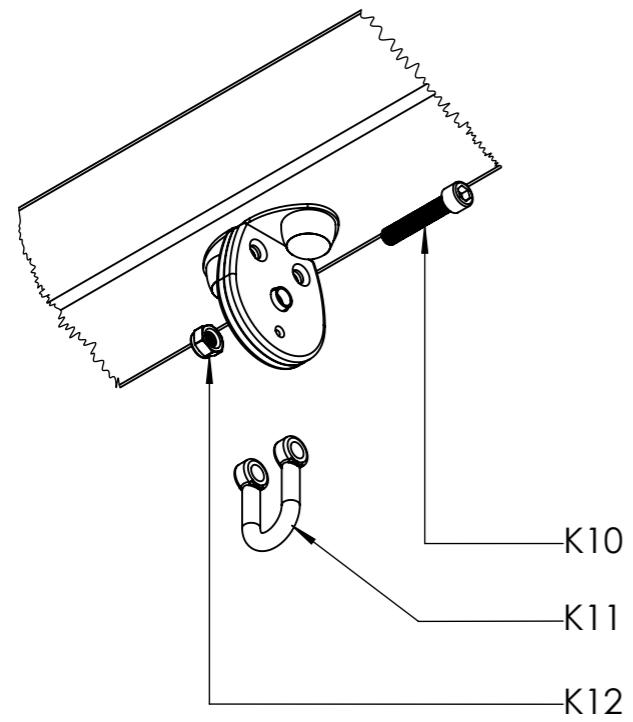
6/8

Assembly

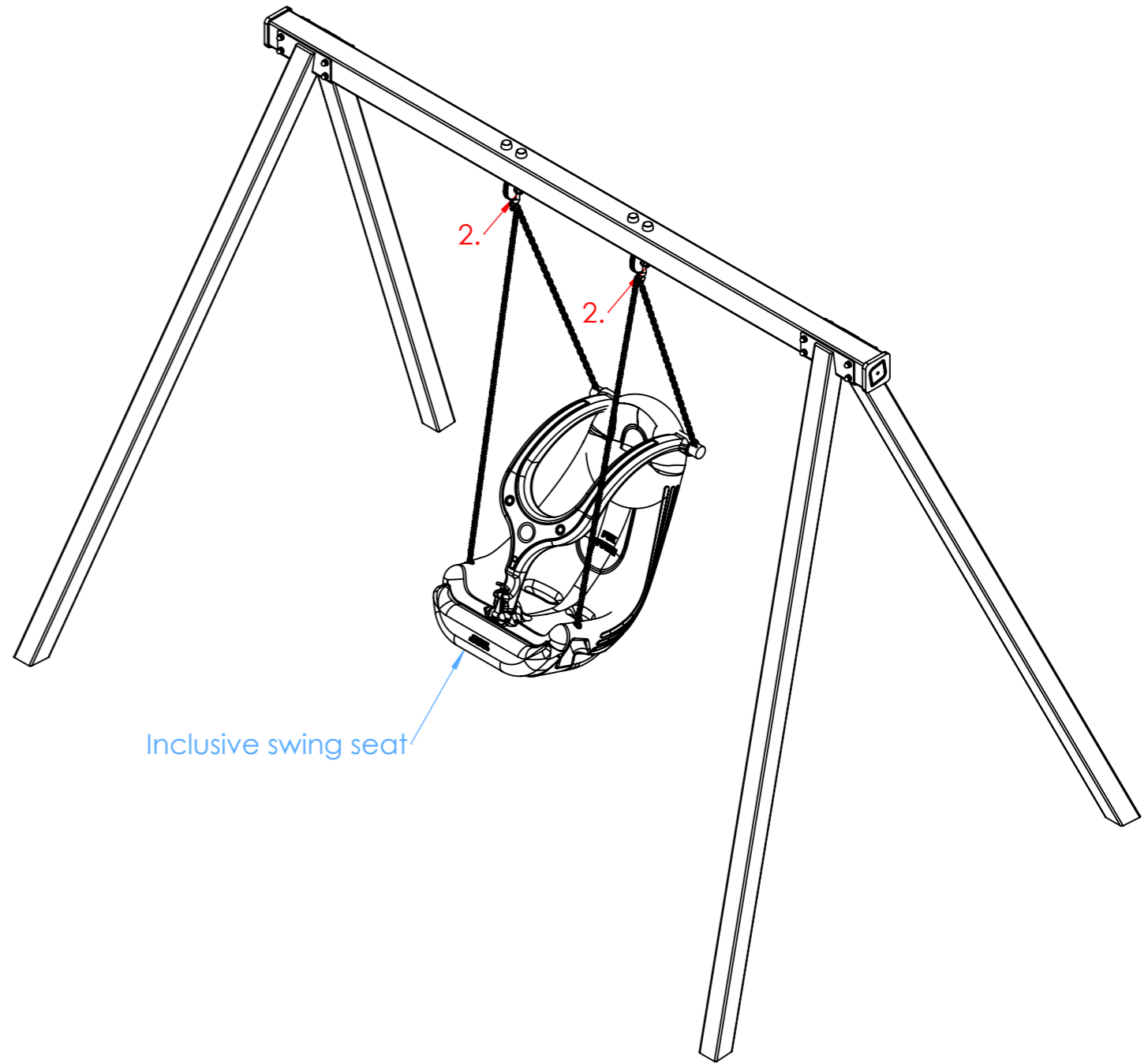
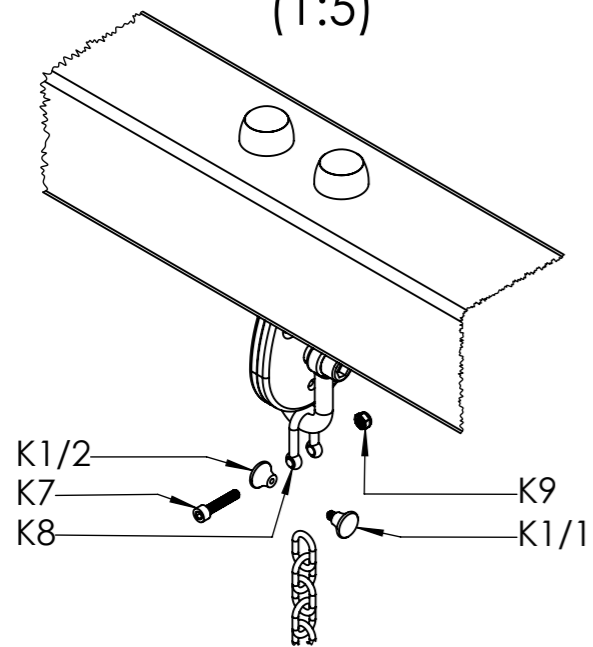
1:20

FLFJ106B

2.  
(1:5)



(1:5)



**broa.**

Name / Namn  
Inclusive swing -Swing installation  
**FLFJ106B / BLFJ106B**

Date / Datum

2025. 08. 29.

Sign.

DK

Page /  
sida

7/8

Drawing / *Rajz*

Assembly

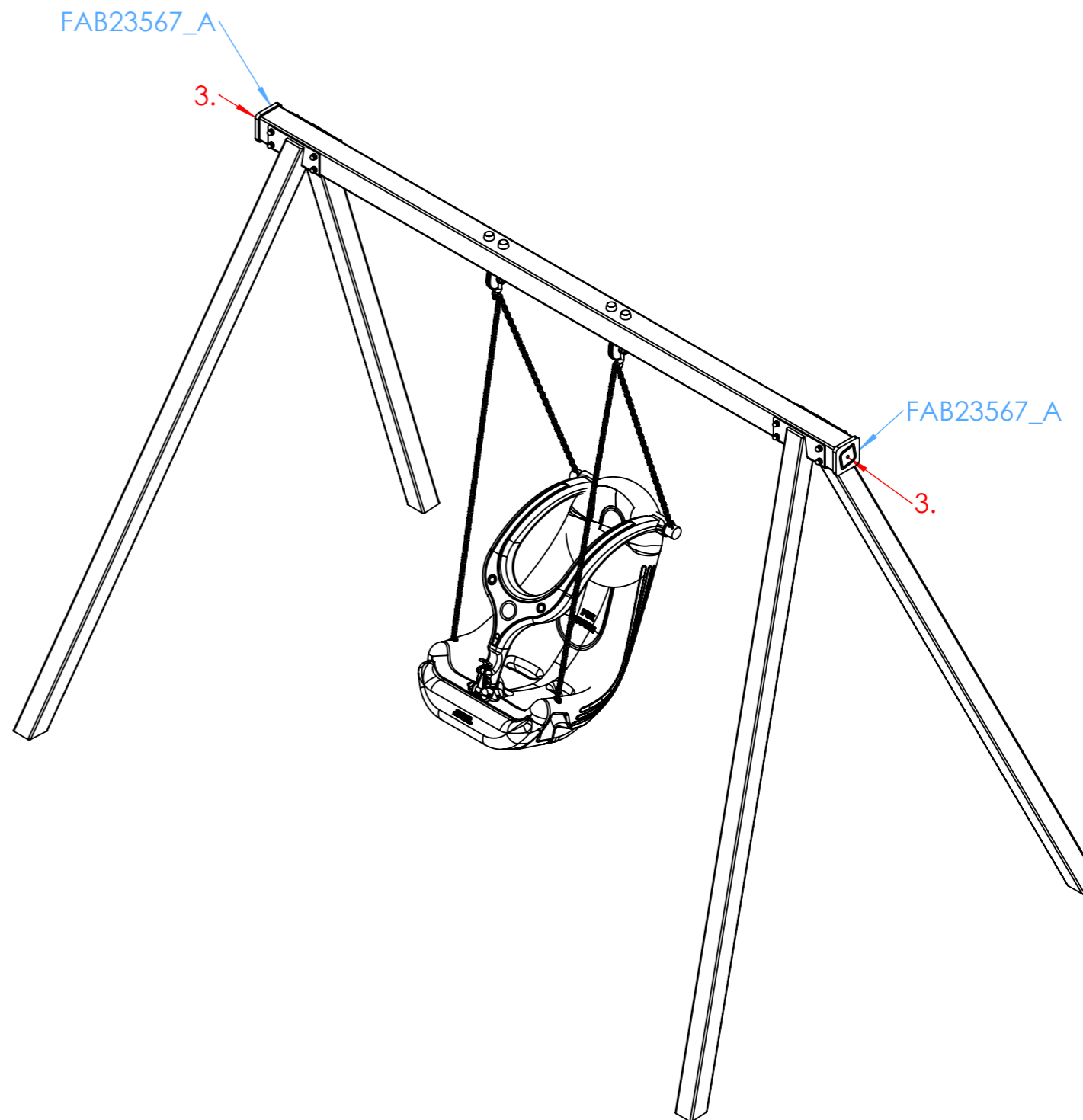
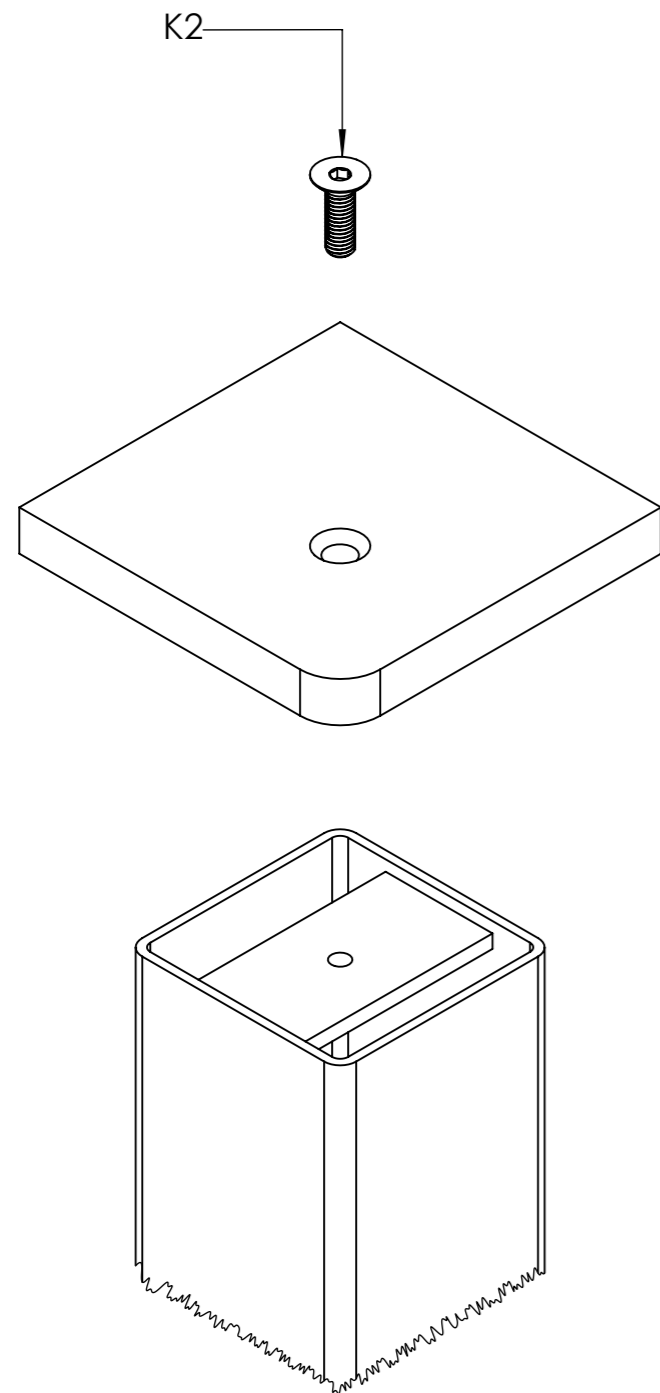
Scale /  
skala

1:20

ID.

FLFJ106B

3.  
(1:2)



**broa.**

Name / Namn  
Inclusive swing - HDPE Installation  
**FLFJ106B / BLFJ106B**

Date / Datum  
2025. 08. 29.

Sign.  
DK

Page /  
sida  
8/8

Drawing / *Rajz*  
Assembly

Scale /  
skala  
1:20

ID.  
FLFJ106B