



broa.

Name / Namn

Mommy-baby swing
FLFJ105B / BLFJ105B

Date / Datum

2026. 02. 20.

Sig.

DK

Page /
sida

1/8

Drawing

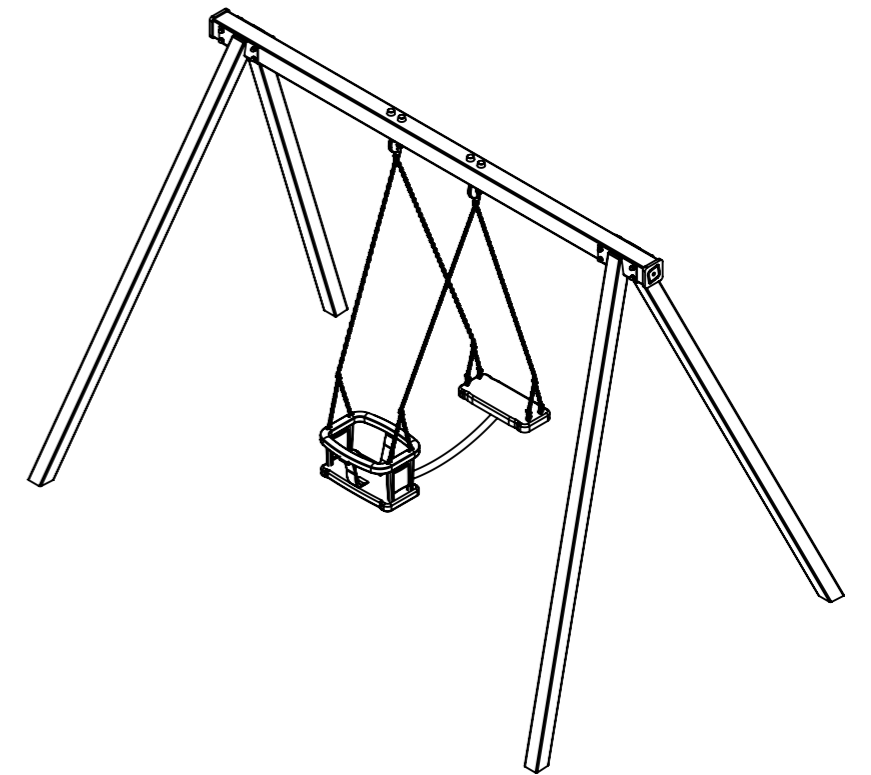
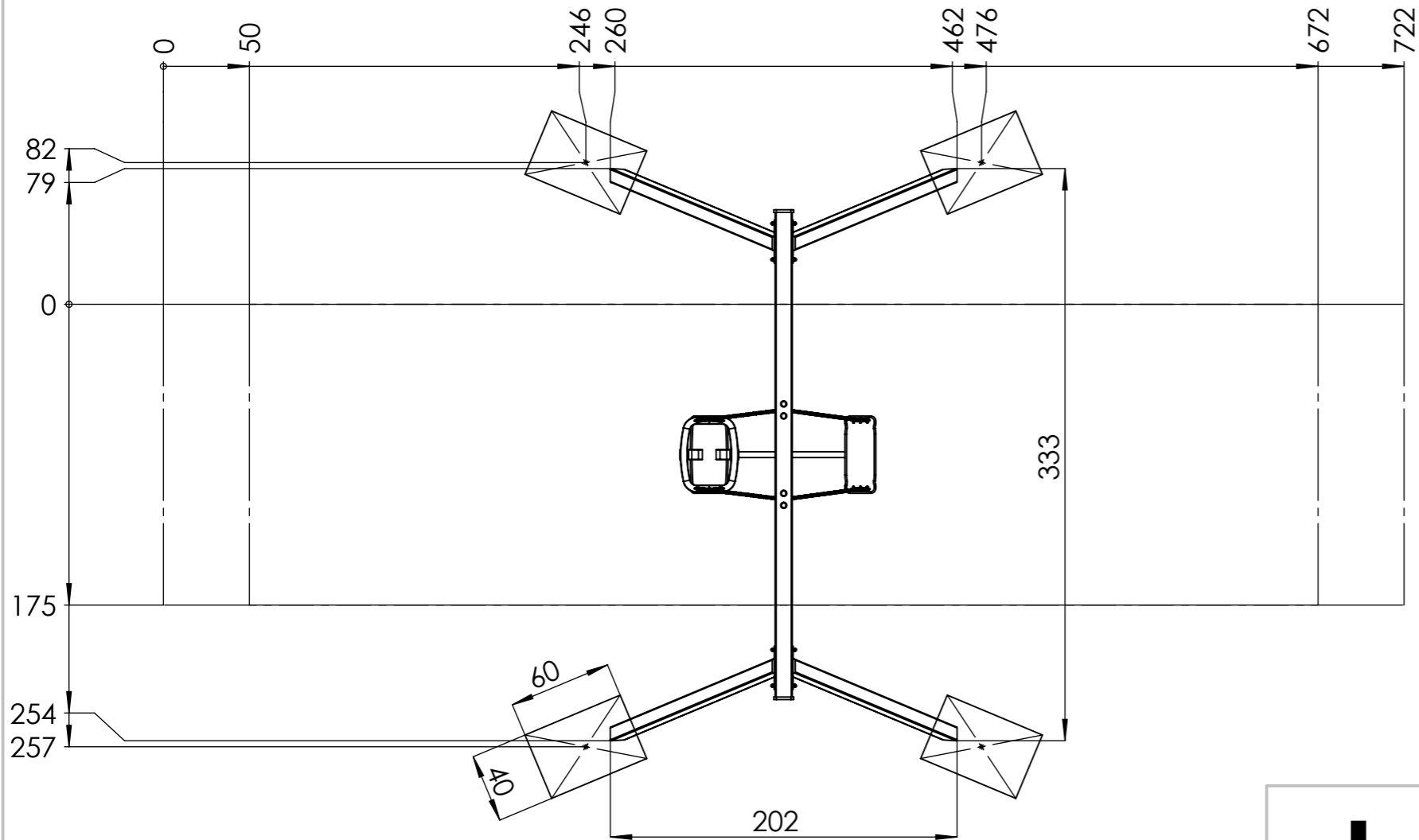
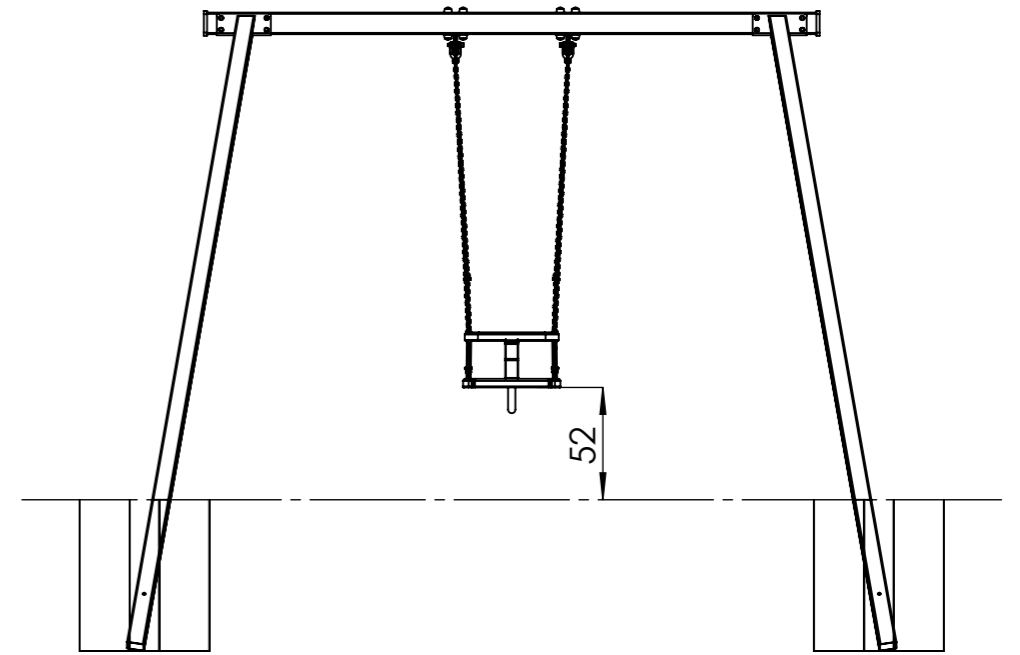
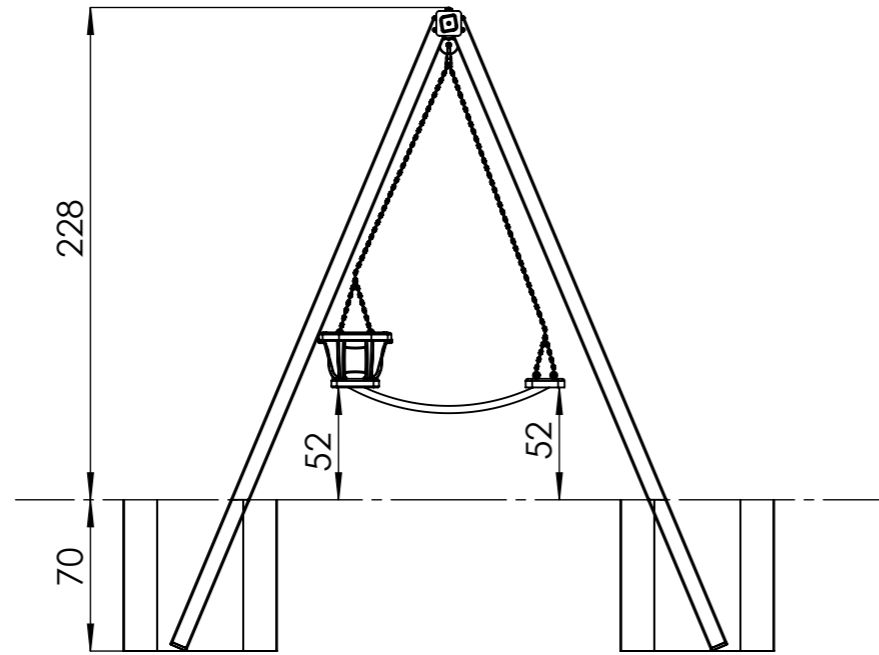
Assembly

Scale /
skala

1:20

ID.

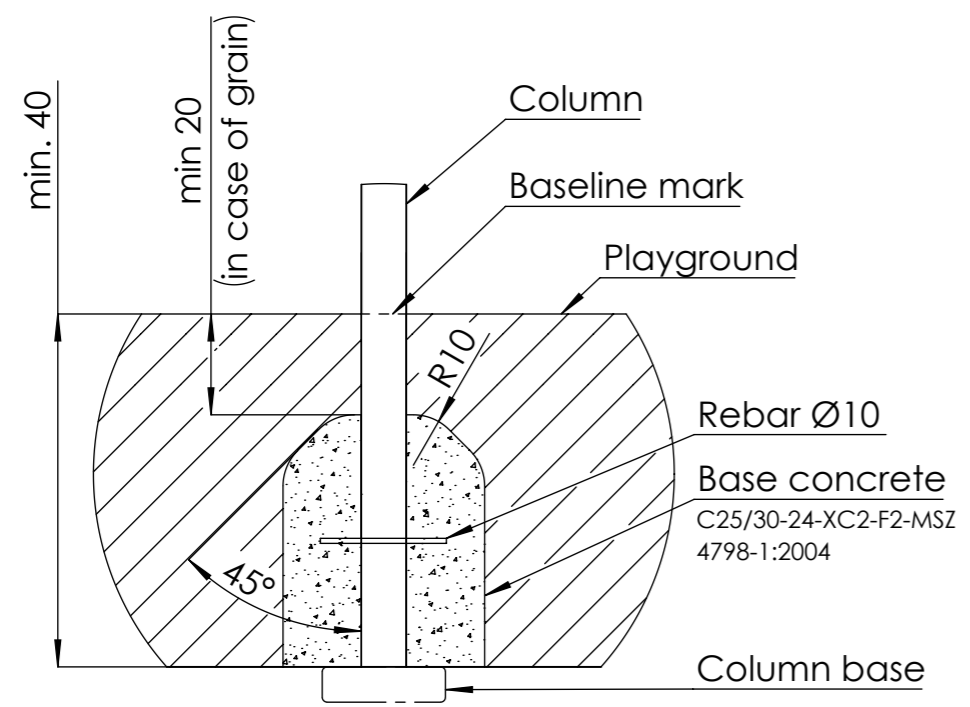
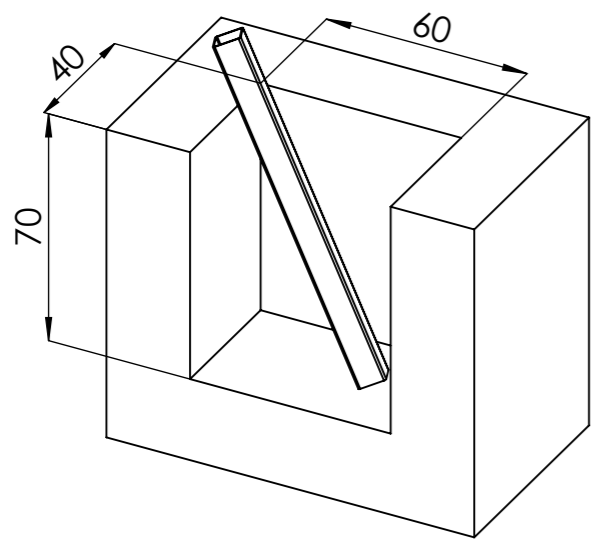
FLFJ105B



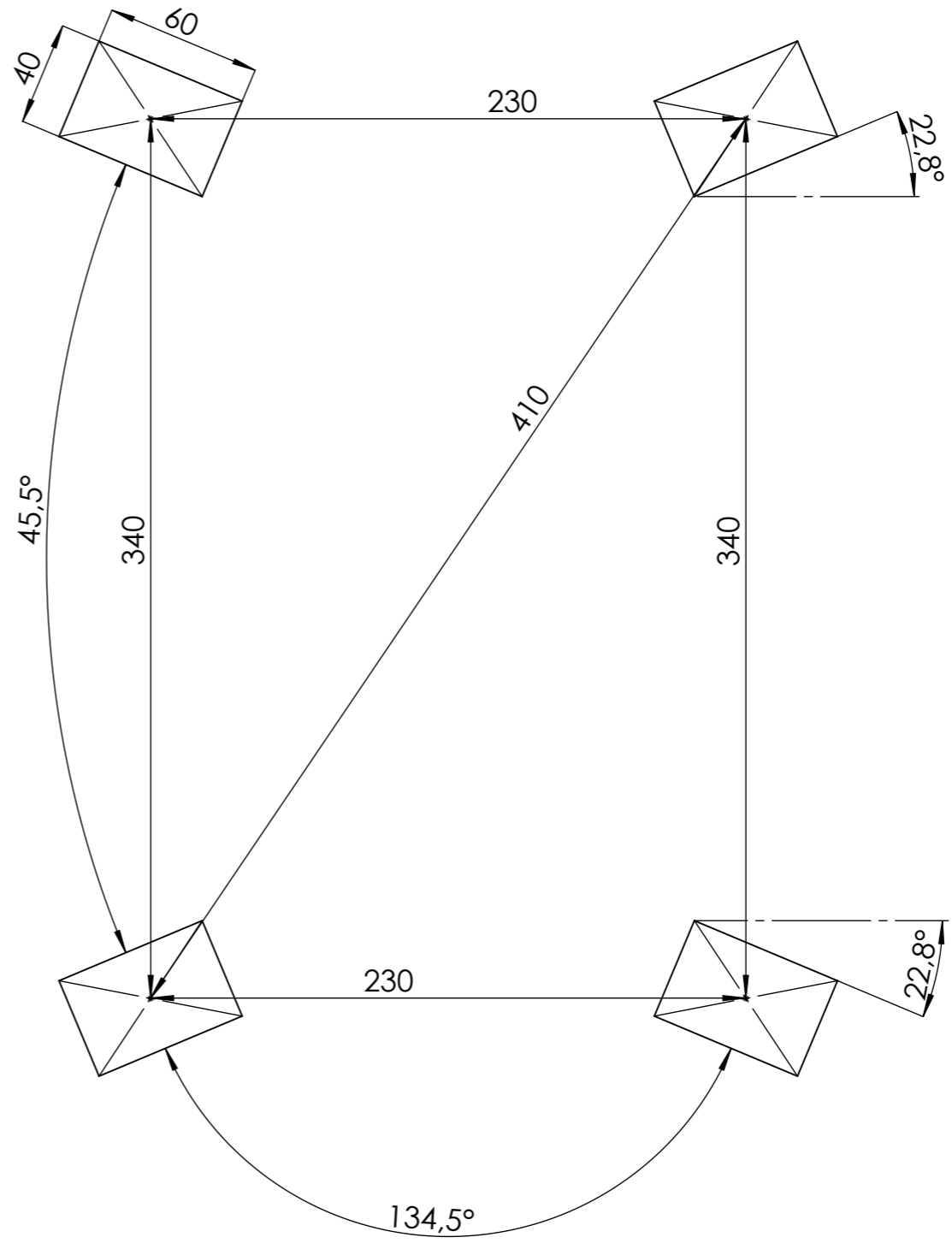
Measures are in cm

			Name / Namn		
			Mommy-baby swing - Installation FLFJ105B / BLFJ105B		
Date / Datum	Sig.	Page / sida	Drawing	Scale / skala	ID.
2026. 02. 20.	DK	2/8	Assembly / Telepítési	1:35	FLFJ105B

(1:20)



General foundation plan (1:15)



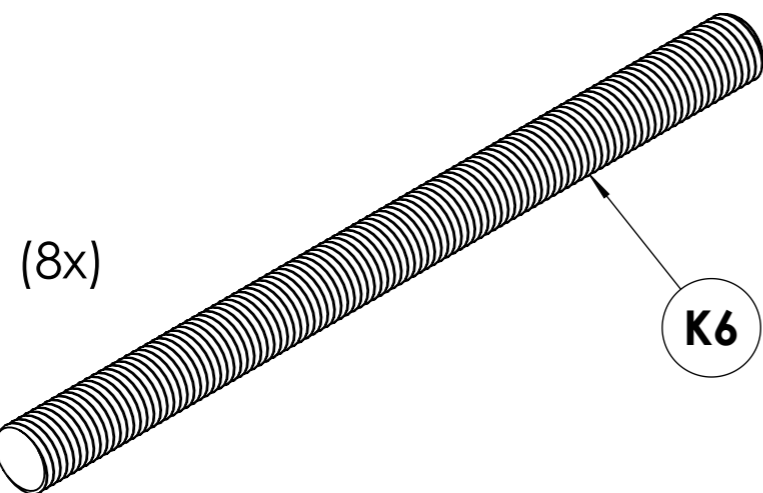
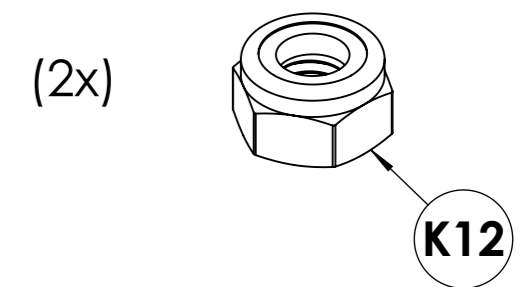
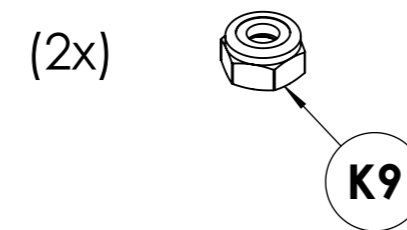
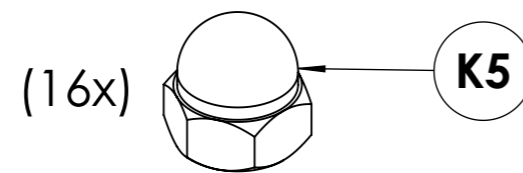
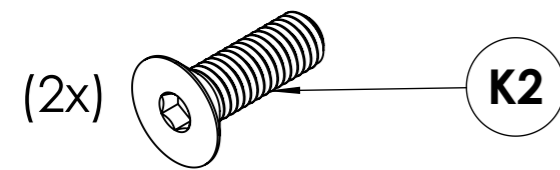
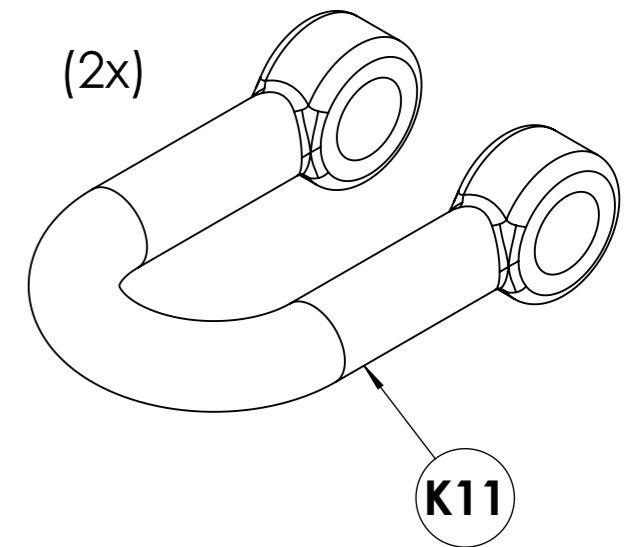
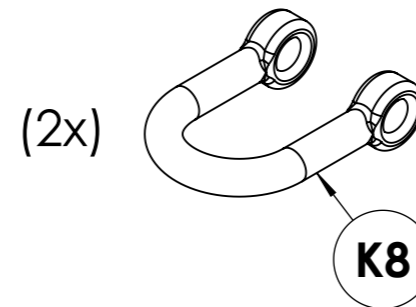
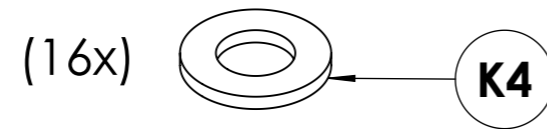
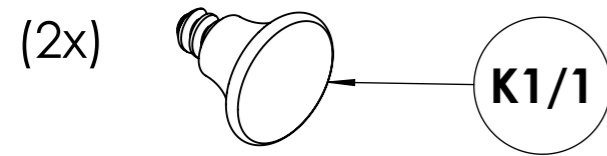
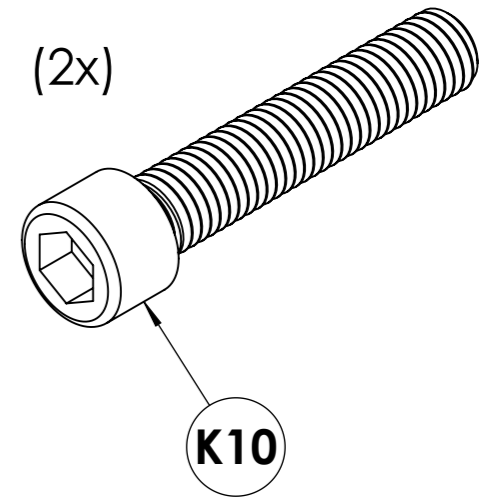
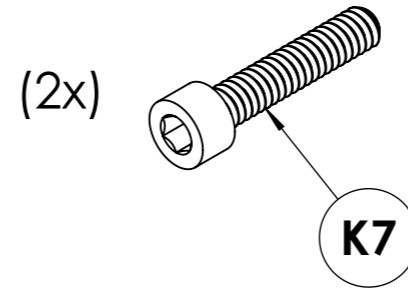
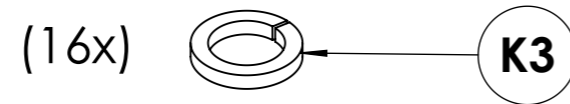
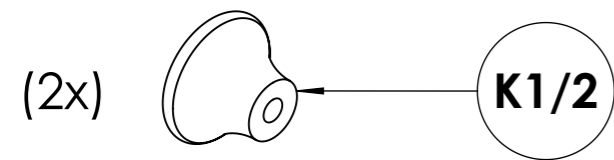
Measures are in cm

			Name / Namn		
			Mommy-baby swing - Pier foundation FLFJ105B / BLFJ105B		
Date / Datum	Sig.	Page / sida	Drawing	Scale / skala	ID.
2026. 02. 20.	DK	3/8	Assembly	1:30	FLFJ105B

BOM

NR.	NAME/NAME	ID.	QT./ST
1.	Swing beam	FAB20602_C	1
2.	HZ1	FAB21671_A	2
3.	HZ2	FAB21672_A	2
4.	Swing beam cap	FAB23567_A	2
5.	Swing hook		2
6.	Mommy - baby swing seat		1
7.	Chain plug	K1	2
8.	M8×30 Countersunk socket head screw	K2	2
9.	M10 split lock washer	K3	16
10.	M10 washer	K4	16
11.	M10 cap nut	K5	16
12.	M10×140 threaded rod	K6	8
13.	M6x30 socket head cap screw	K7	2
14.	Shackle M6	K8	2
15.	M6 self-locking nut	K9	2
16.	M12x60 socket head cap screw	K10	2
17.	Shackle M12	K11	2
18.	M12 self-locking nut	K12	2
19.	Ø10 rebar for foundation		4

			Name / Namn Mommy-baby swing - BOM FLFJ105B / BLFJ105B	
Date / Datum	Sig.	Page / sida	Drawing	ID.
2026. 02. 20.	DK	4/8	Assembly	FLFJ105B



broa.

Name / Namn

Mommy-baby swing - Fasteners

FLFJ105B / BLFJ105B

Drawing

Assembly

Scale /
skala

1:1

ID.

FLFJ105B

Date / Datum

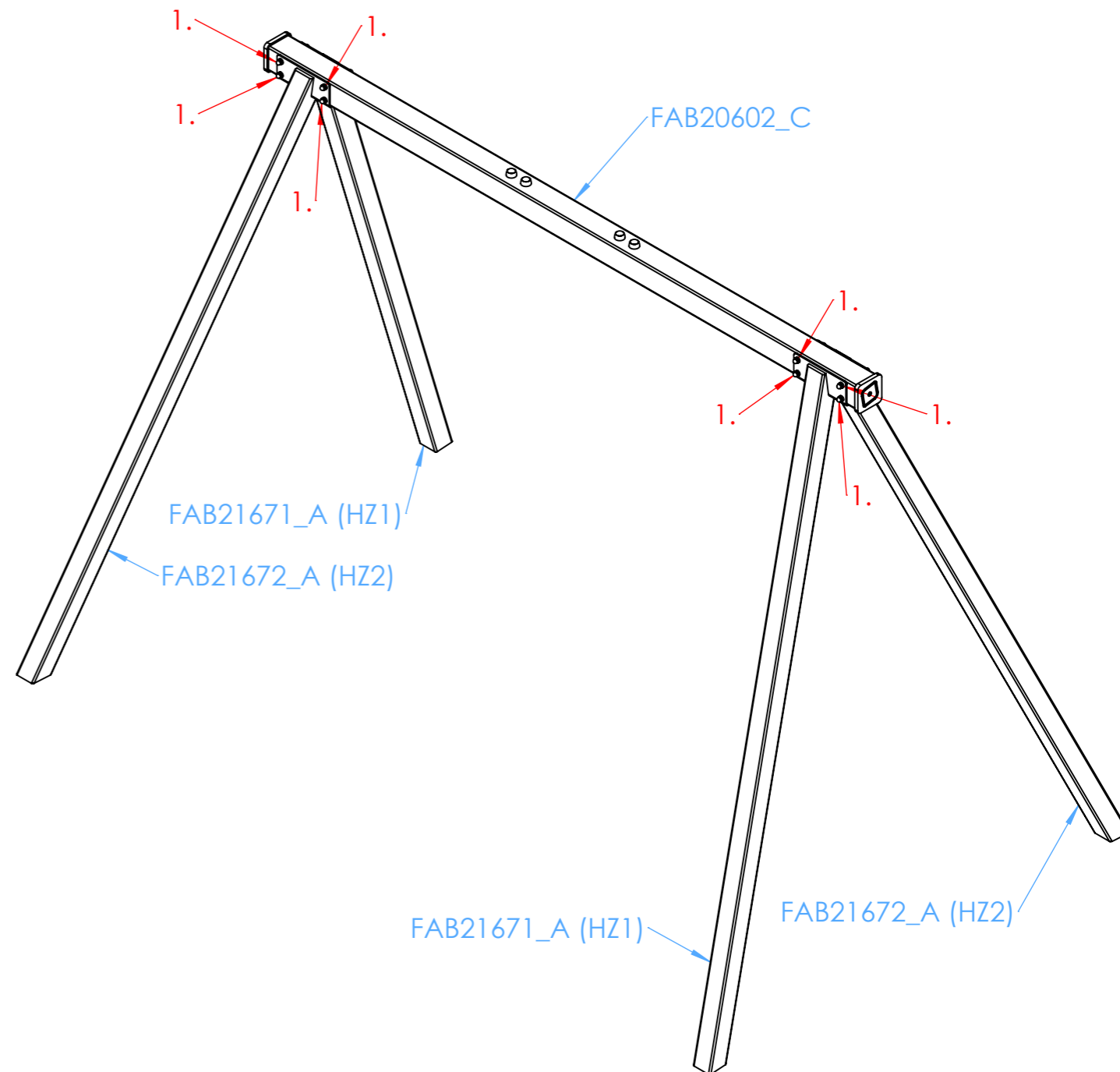
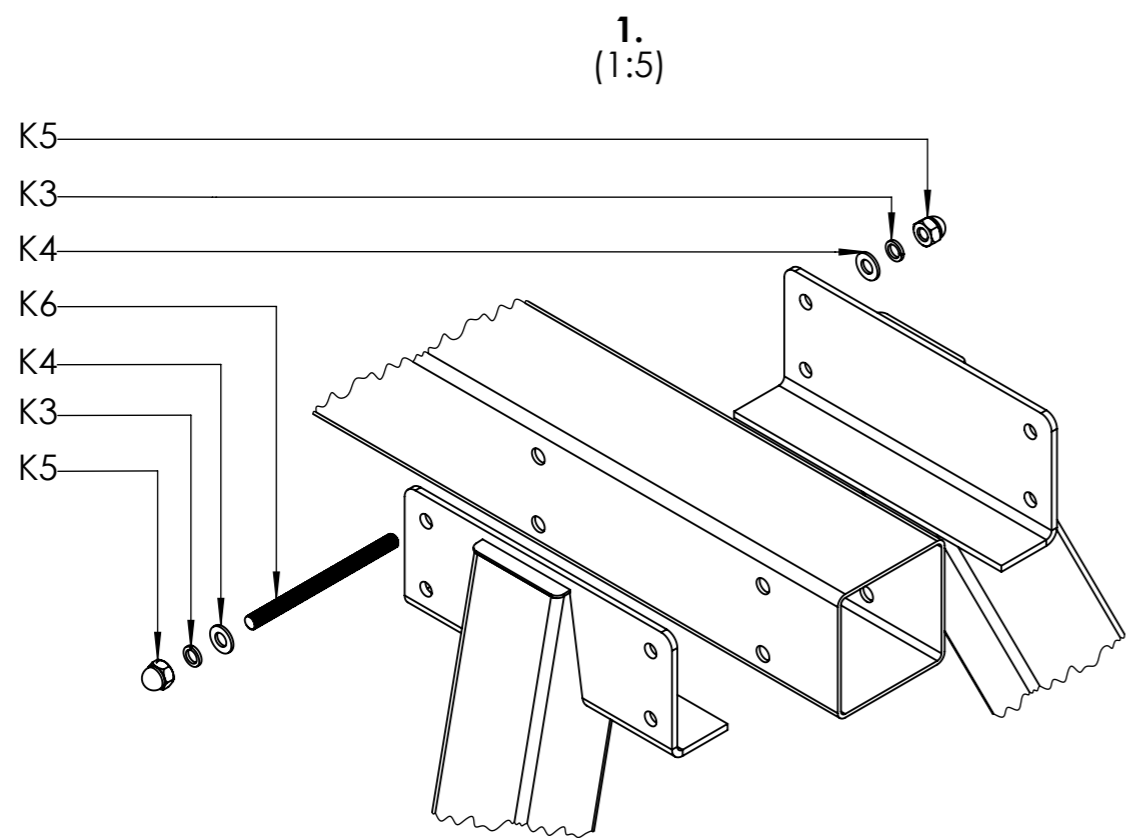
2026. 02. 20.

Sig.

DK

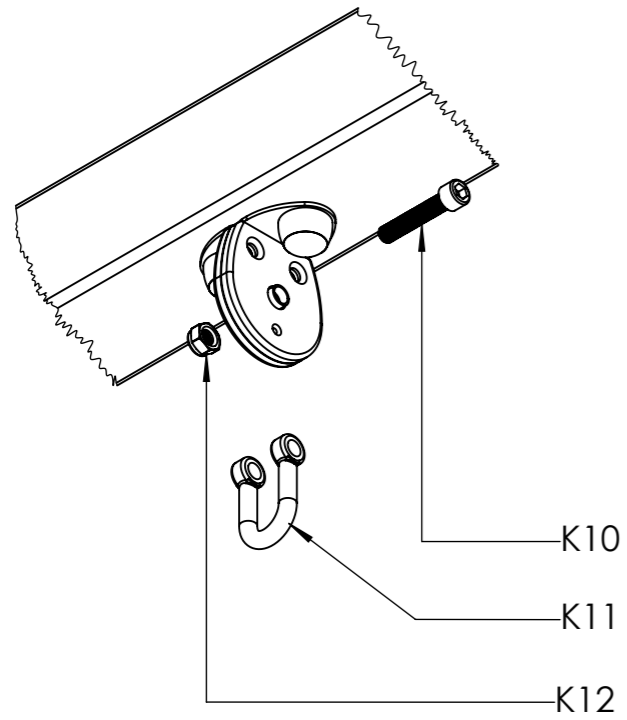
Page /
sida

5/8

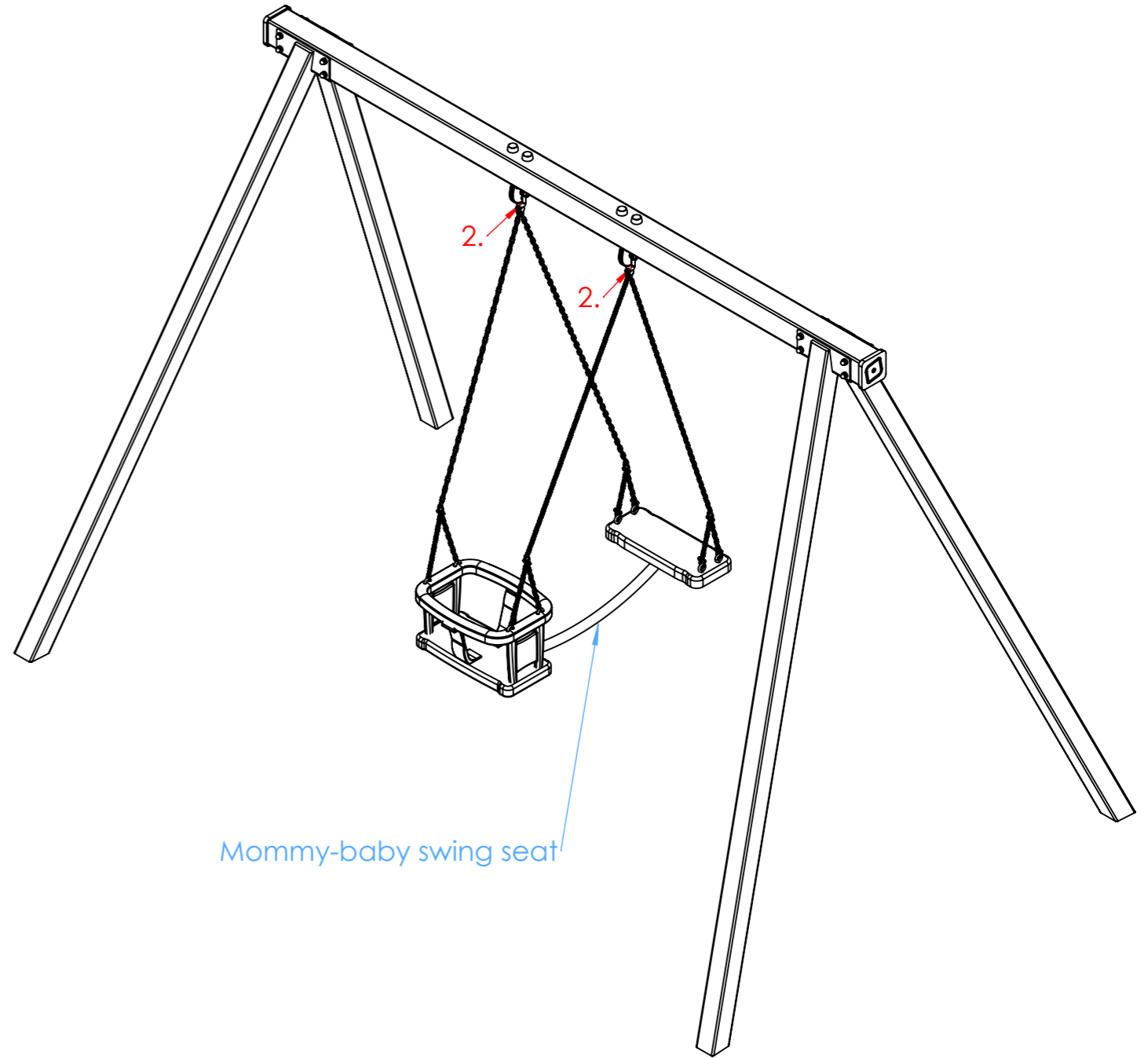
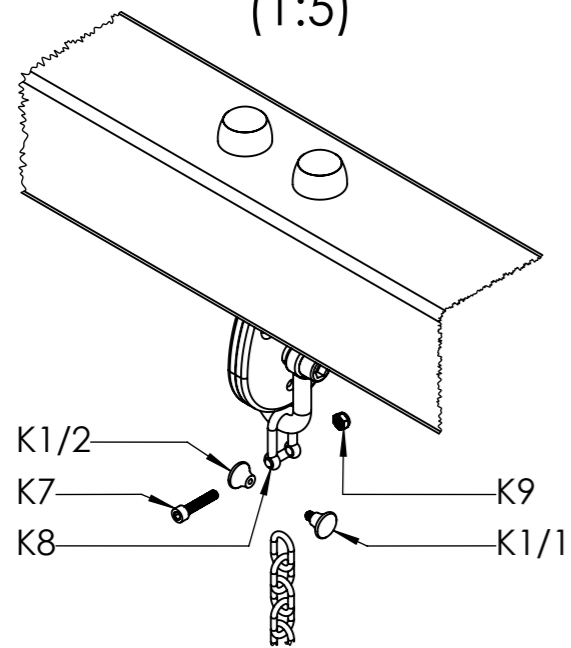


			Name / Namn		
			Mommy-baby swing - Structure FLFJ105B / BLFJ105B		
Date / Datum	Sig.	Page / sida	Drawing	Scale / skala	ID.
2026. 02. 20.	DK	6/8	Assembly	1:20	FLFJ105B

2.
(1:5)



(1:5)



broa.

Name / Namn

Mommy-baby swing - Swing installation

FLFJ105B / BLFJ105B

Drawing

Assembly

Scale /
skala

1:20

ID / Azonosító, verzió

FLFJ105B

Date / Datum

2026. 02. 20.

Sig.

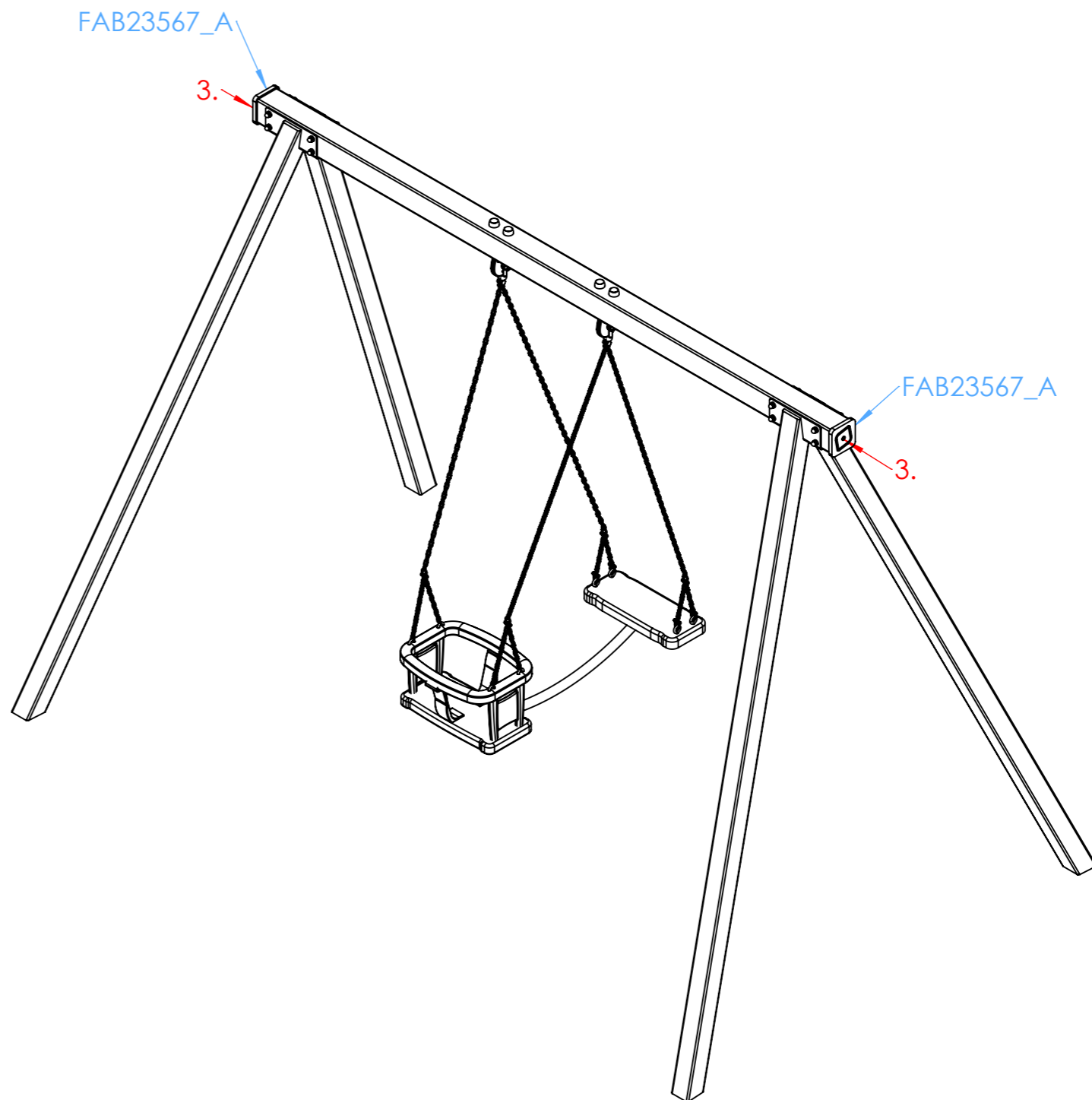
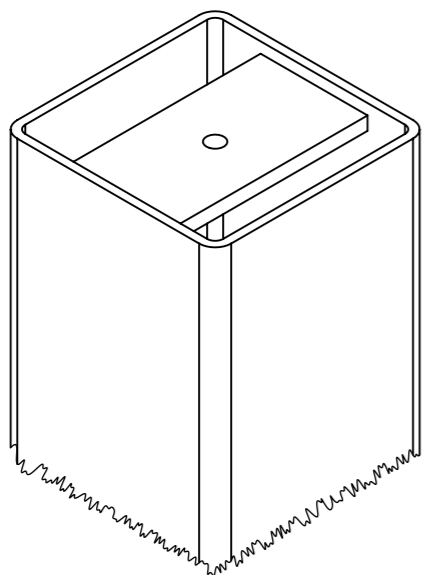
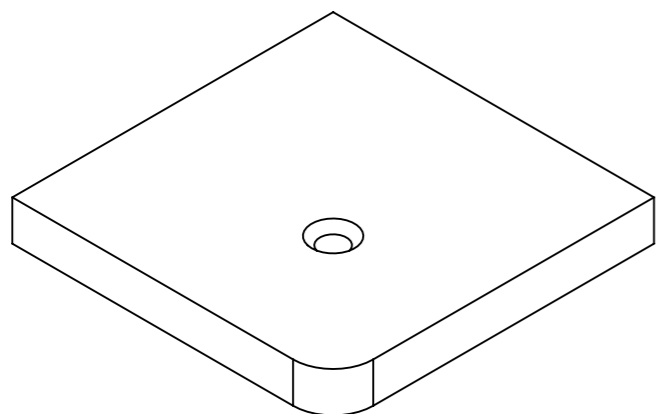
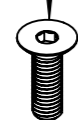
DK

Page /
sida

7/8

3.
(1:2)

K2



broa.

Name / Namn
Mommy-baby swing -HDPE Installation
FLFJ105B / BLFJ105B

Date / Datum
2026. 02. 20.

Sig.
MK

Page / sida
8/8

Drawing
Assembly

Scale / skala
1:20

ID.
FLFJ105B