



broa.

Name / Namn.
Nest swing
FLFJ104B / BLFJ104B

Date / Datum
2026.02.20

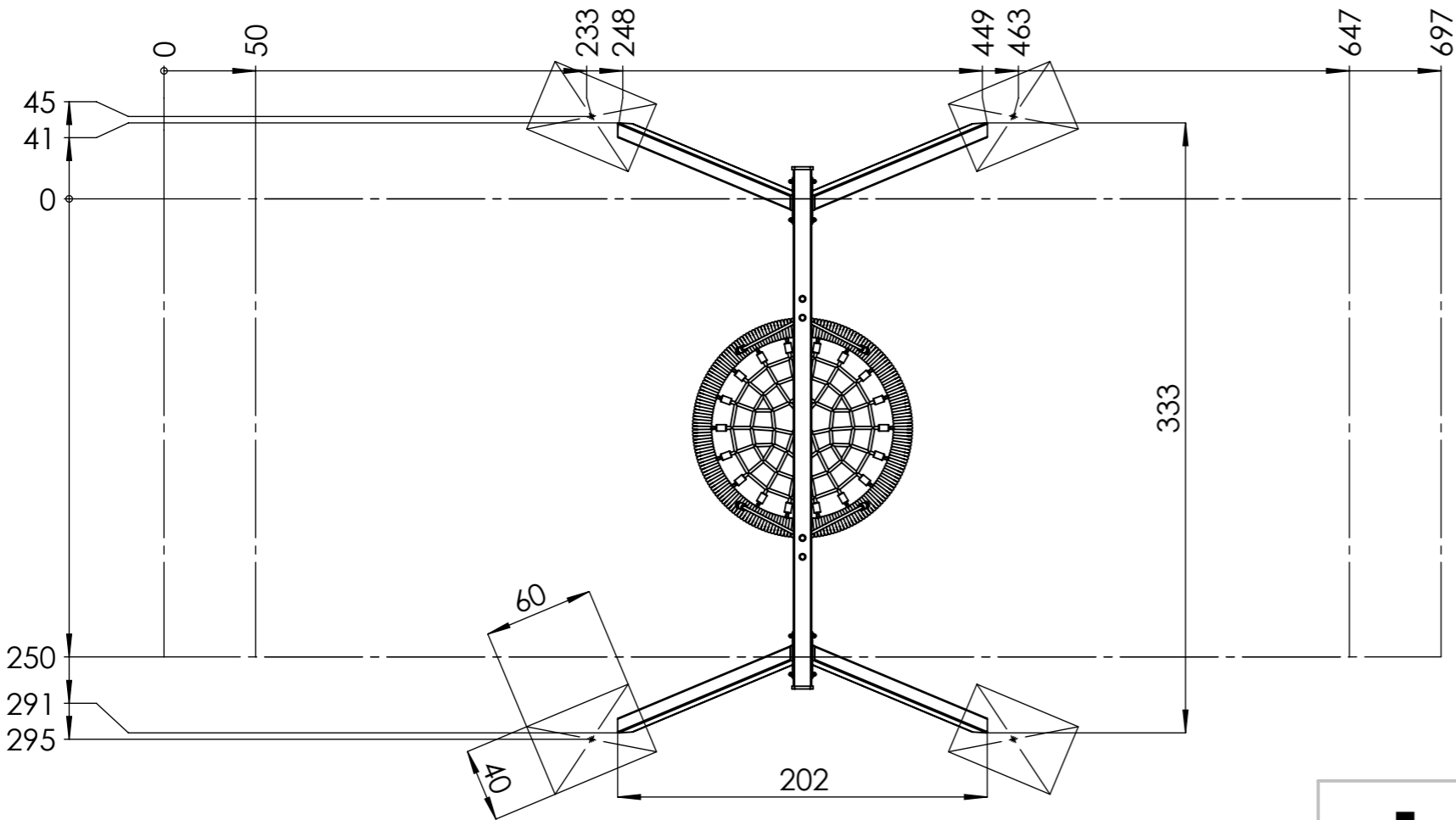
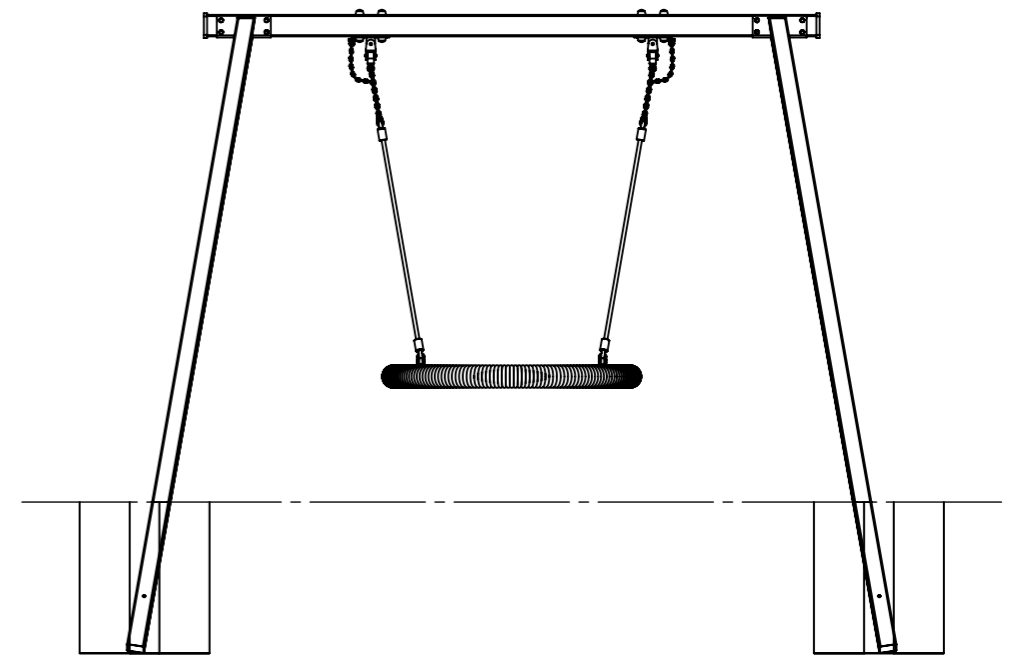
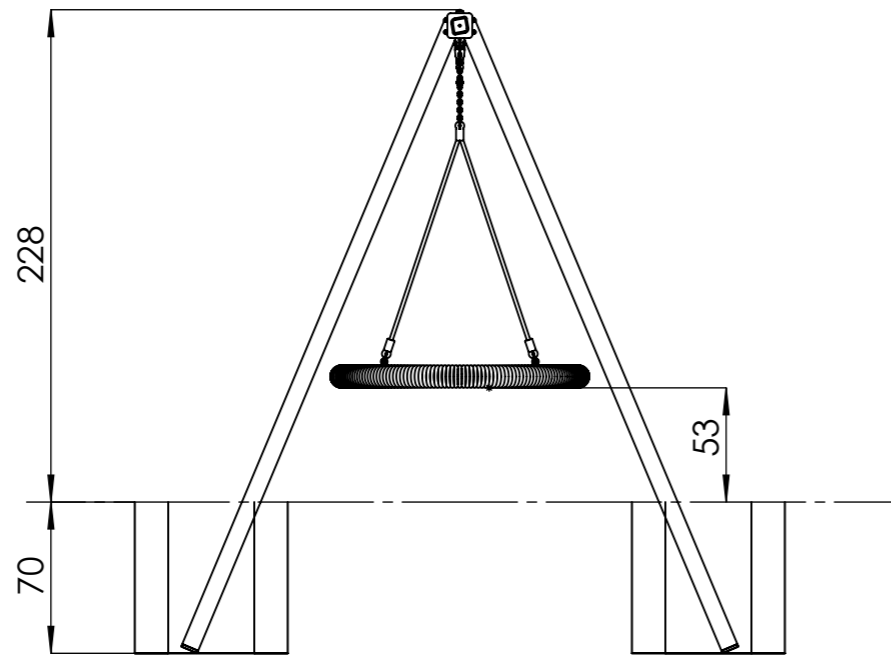
Sig.
DK

Page /
sida
1/8

Drawing
Assembly

Scale /
skala
1:20

ID.
FLFJ104B



Measures are in cm

broa.

Name / Namn.
Nest swing - Installation
FLFJ104B / BLFJ104B

Date / Datum
2026.02.20

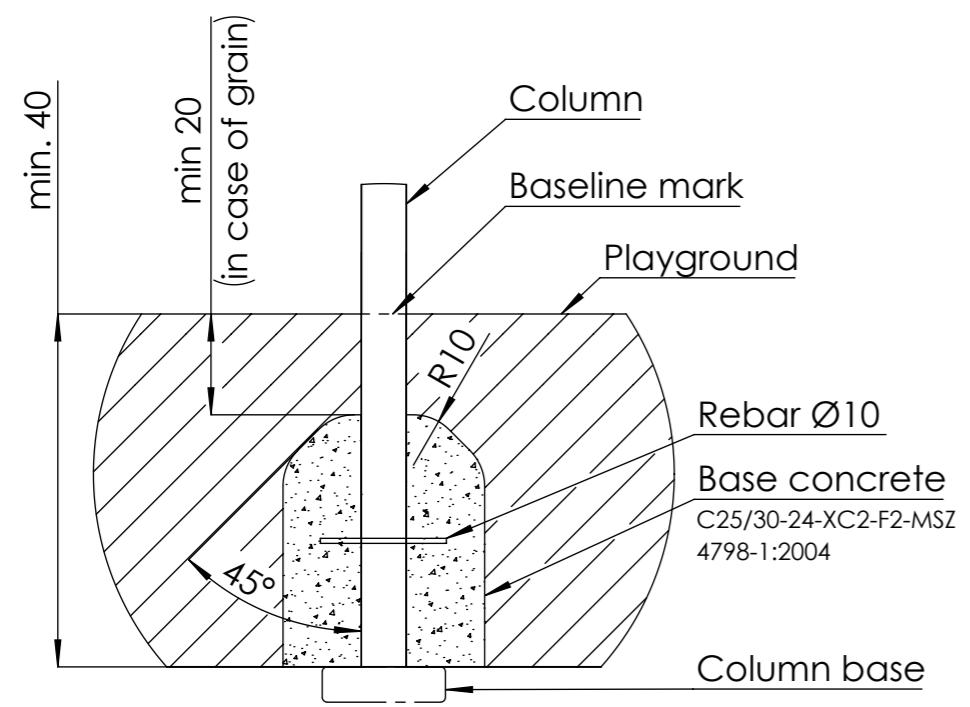
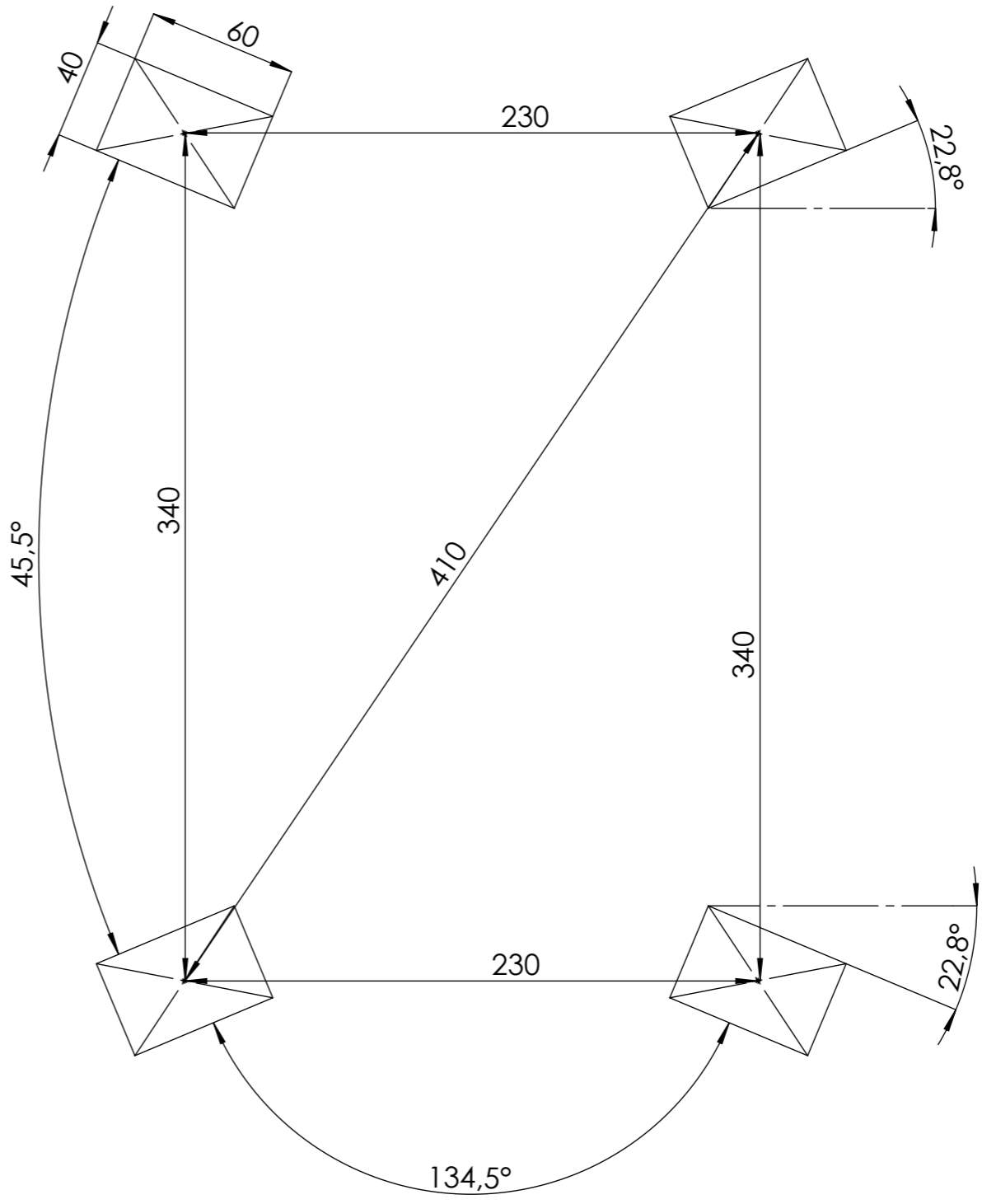
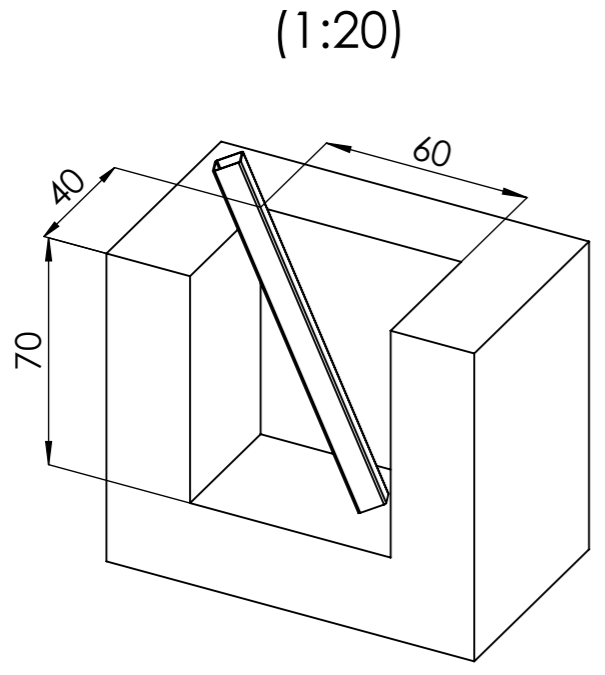
Sig.
DK

Page / sida
2/8

Drawing
Assembly

Scale / skala
1:35

ID.
FLFJ104B



General foundation plan (1:15)

Measures are in cm

			Name / Namn.		
			Nest swing - Pier foundation FLFJ104B / BLFJ104B		
Date / Datum	Sig.	Page / sida	Drawing	Scale / skala	ID.
2026.02.20	DK	3/8	Assembly	1:30	FLFJ104B

BOM

NR.	NAME/NAMN	ID	QT./ST
1.	Swing beam	FAB20610_B	1
2.	HZ1	FAB21671_A	2
3.	HZ2	FAB21672_A	2
4.	Swing beam cap	FAB23567_A	2
5.	Swing hook		2
6.	Nest swing seat		1
7.	Chain plug	K1	2
8.	M8×30 Countersunk socket head screw	K2	2
9.	M10 split lock washer	K3	16
10.	M10 washer	K4	16
11.	M10 cap nut	K5	16
12.	M10×140 threaded rod	K6	8
13.	M6x30 socket head cap screw	K7	4
14.	Shackle M6	K8	2
15.	M6 self-locking nut	K9	4
16.	Ø10 rebar for foundation		4

Name / Namn.

Nest swing **BOM**
FLFJ104B / BLFJ104B

Drawing

Assembly

ID.

FLFJ104B

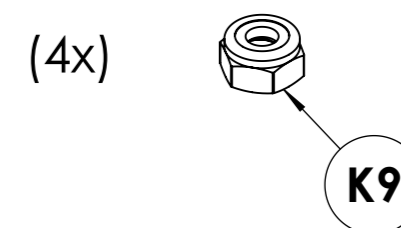
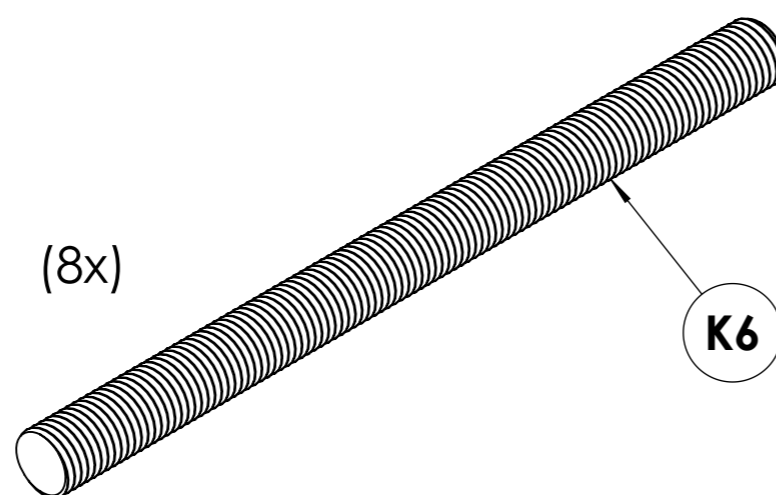
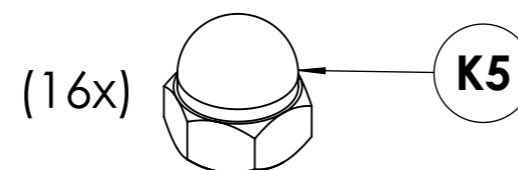
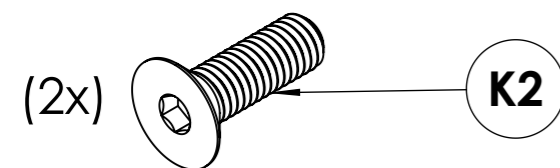
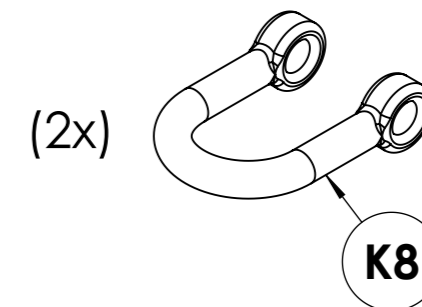
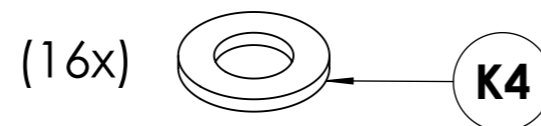
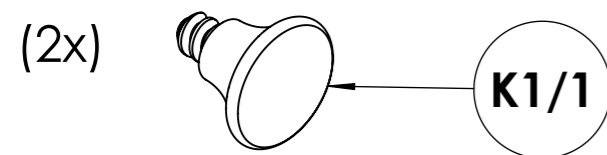
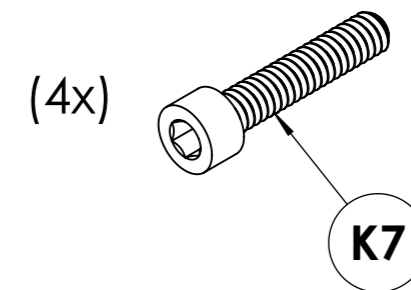
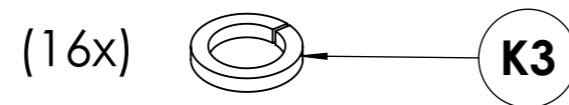
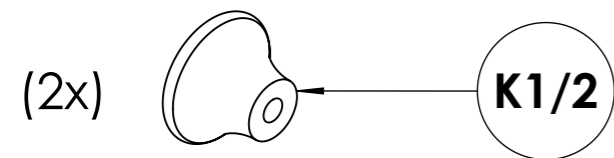
Date / Datum

2026.02.20

Sig.

DK

Page /
sida
4/8



broa.

Name / Namn.
Nest swing - Fasteners
FLFJ104B / BLFJ104B

Date / Datum
2026.02.20

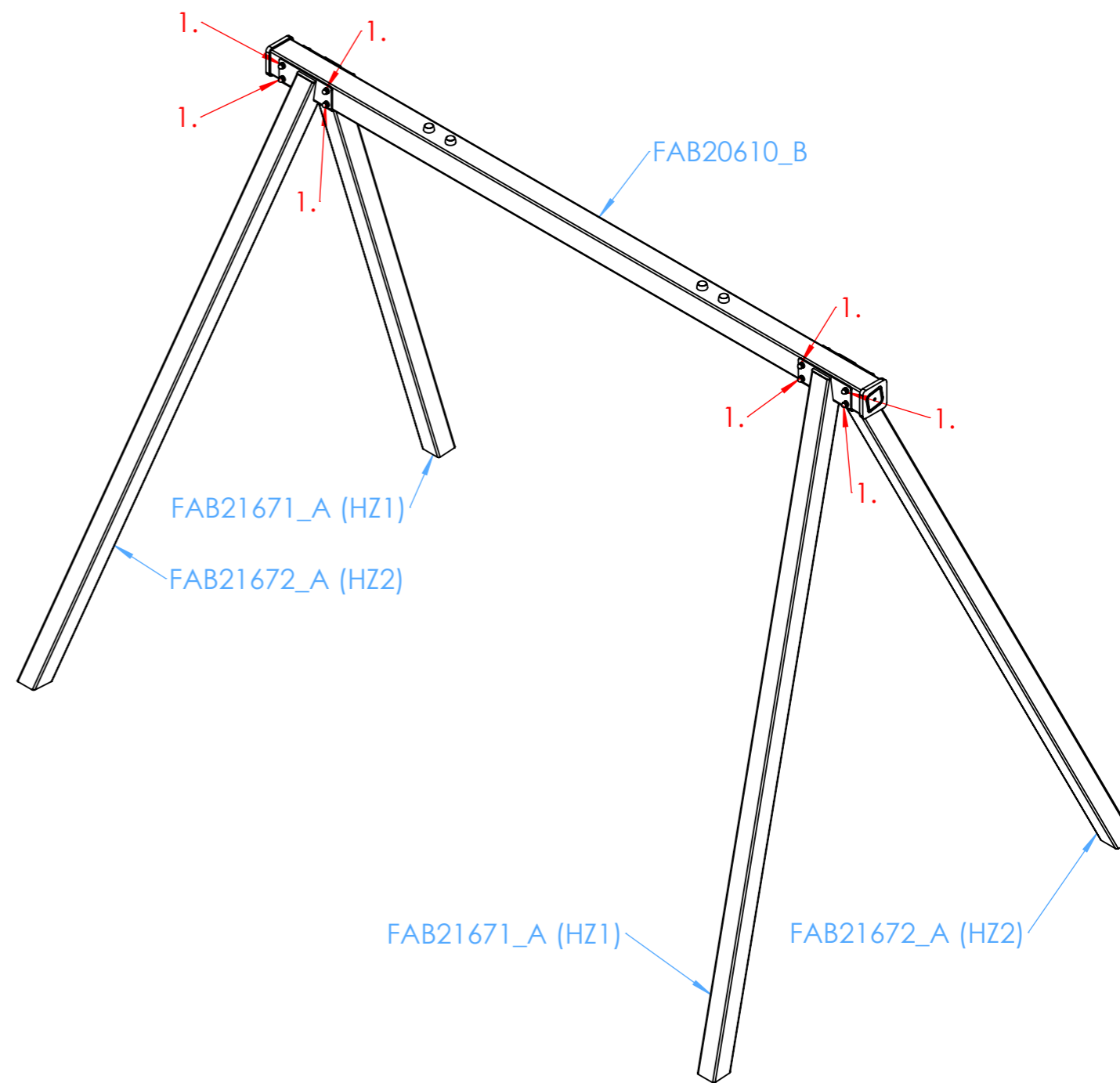
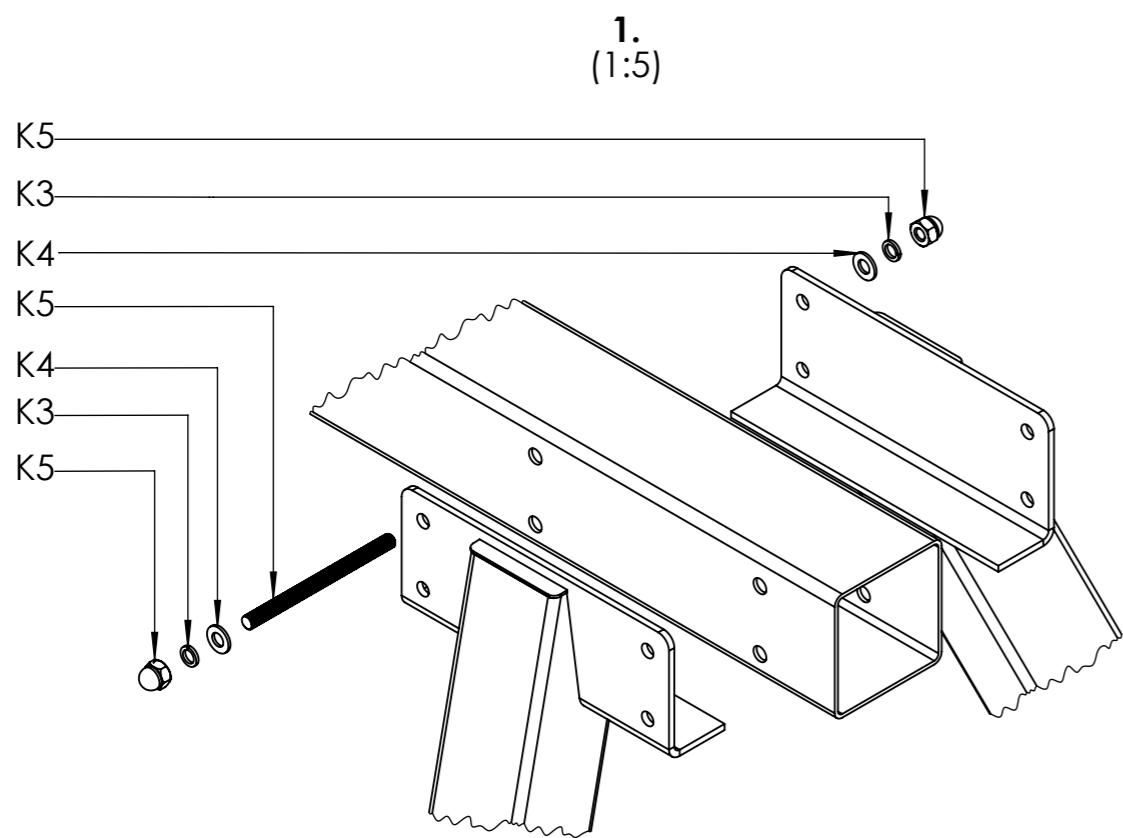
Sig.
DK

Page /
sida
5/8

Drawing
Assembly

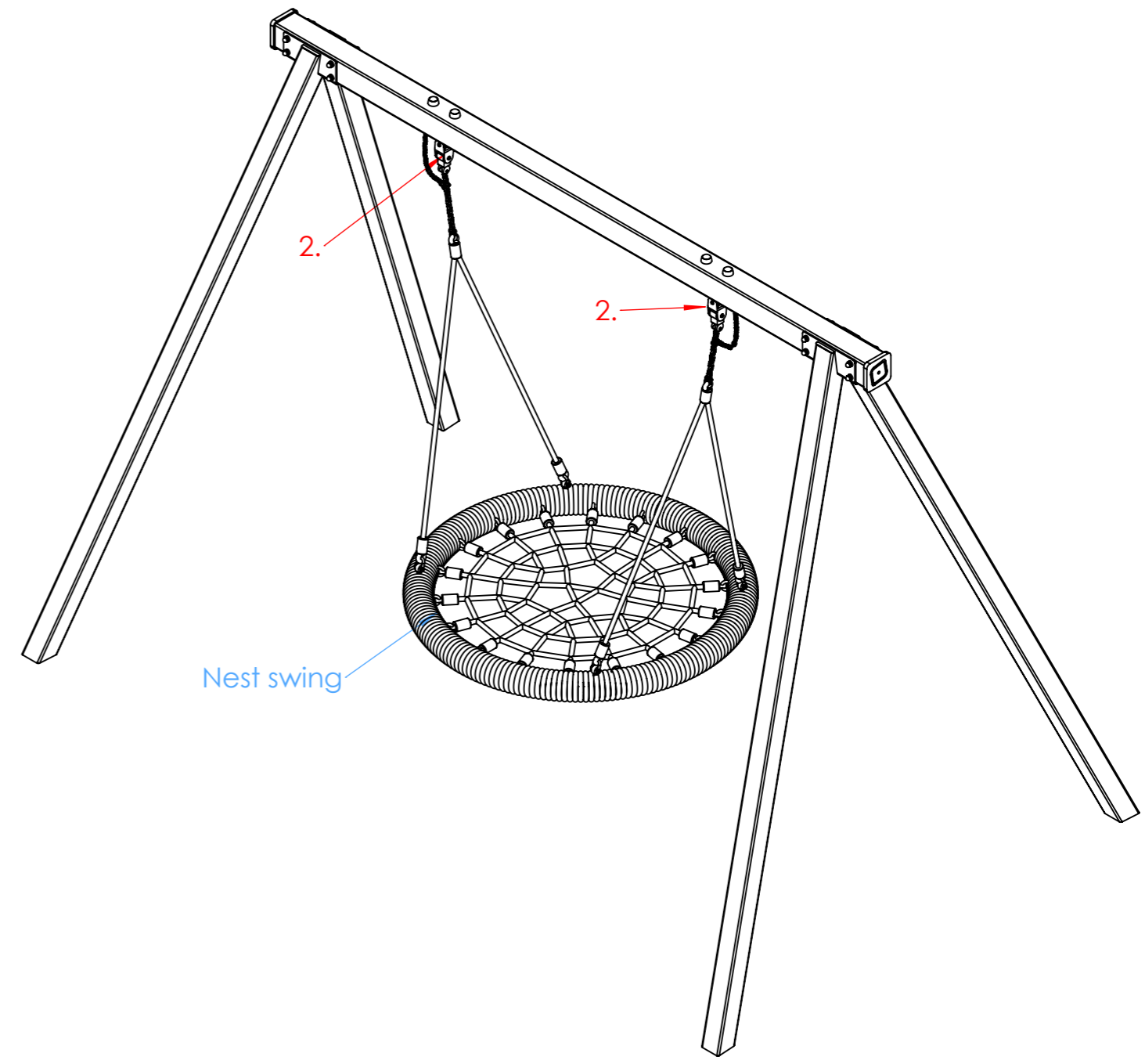
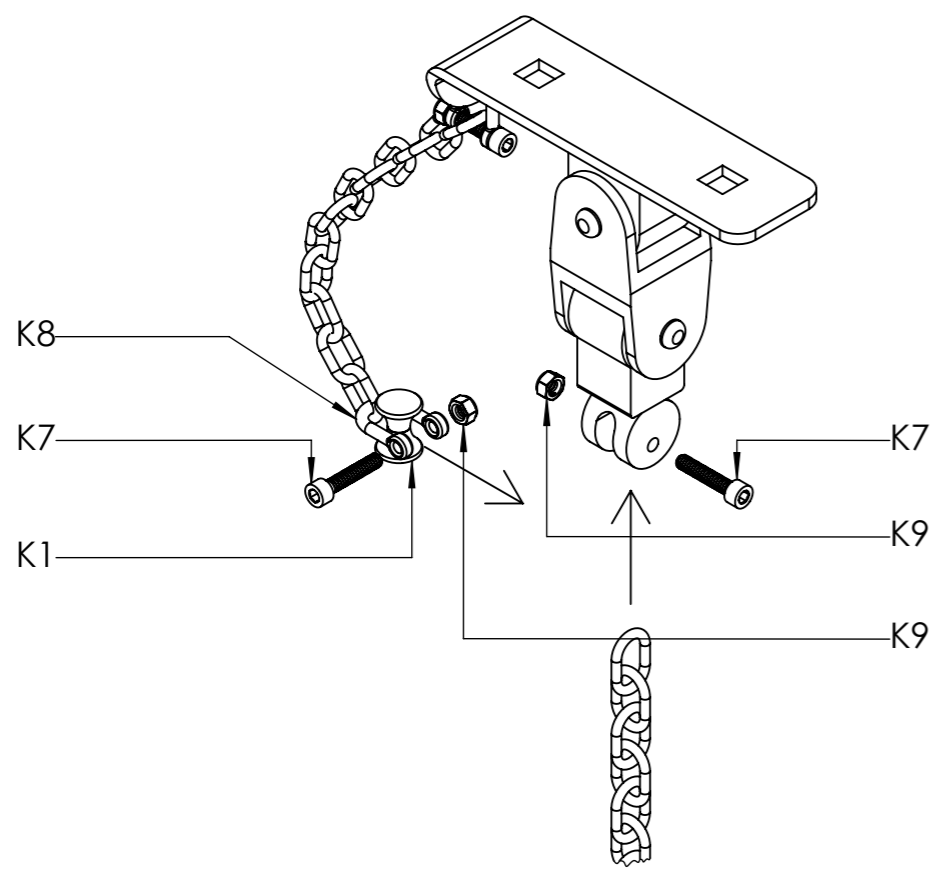
Scale /
skala
1:1

ID.
FLFJ104B



			Name / Namn.		
			Nest swing - Structure FLFJ104B / BLFJ104B		
Date / Datum	Sig.	Page / sida	Drawing	Scale / skala	ID.
2026.02.20	DK	6/8	Assembly	1:20	FLFJ104B

2.
(1:3)



broa.

Name / Namn.
Nest swing - Swing installation
FLFJ104B / BLFJ104B

Date / Datum
2026.02.20

Sig.
DK

Page / sida
7/8

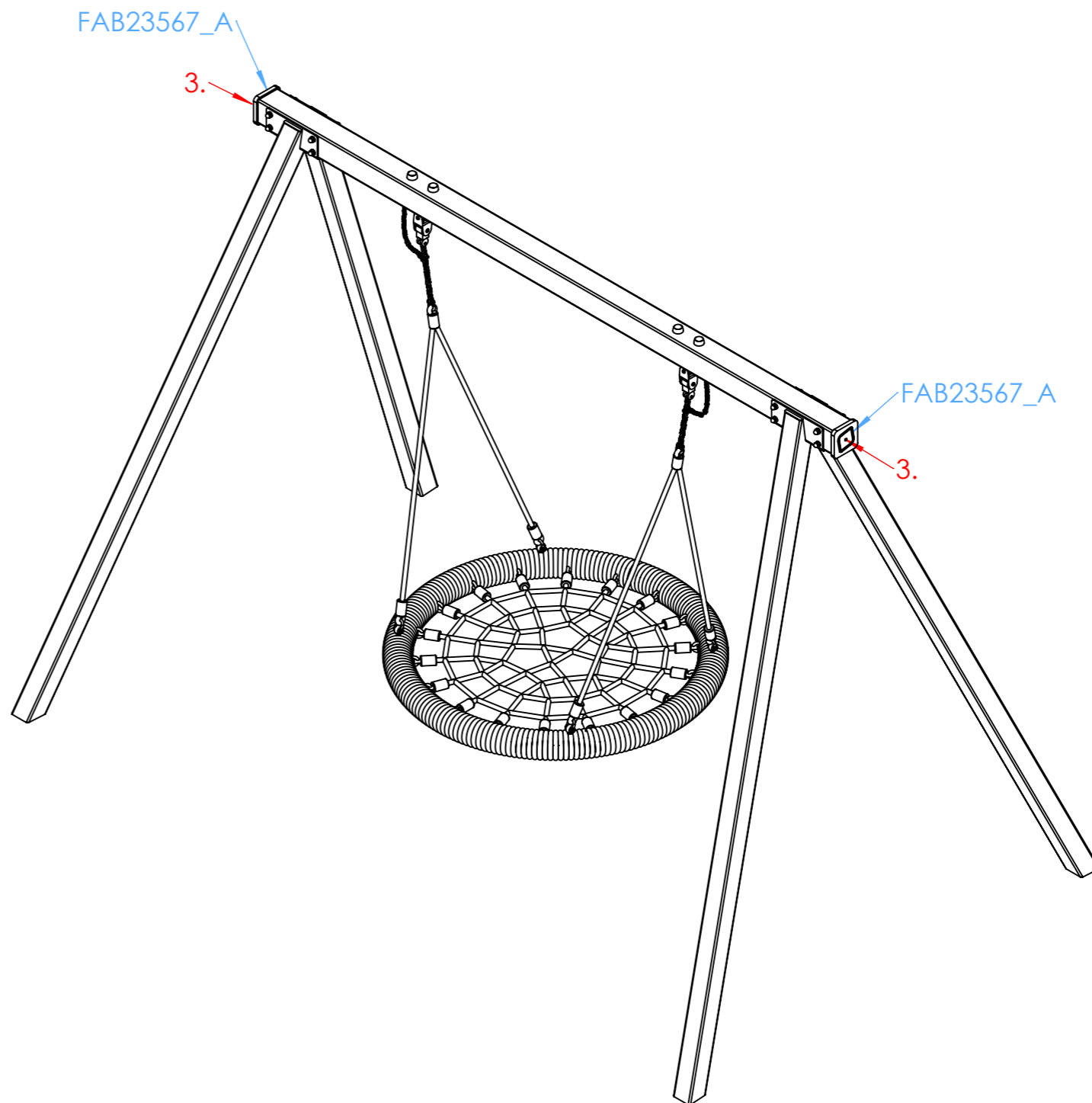
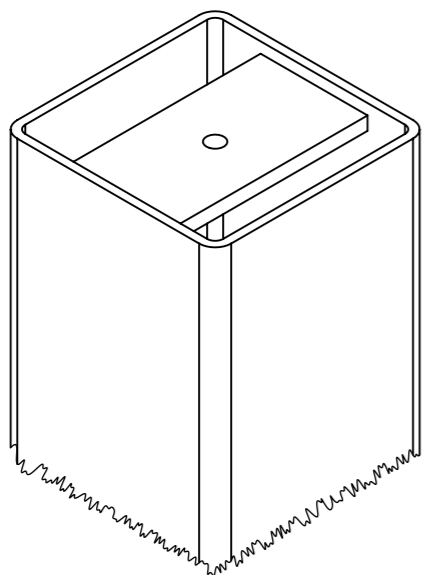
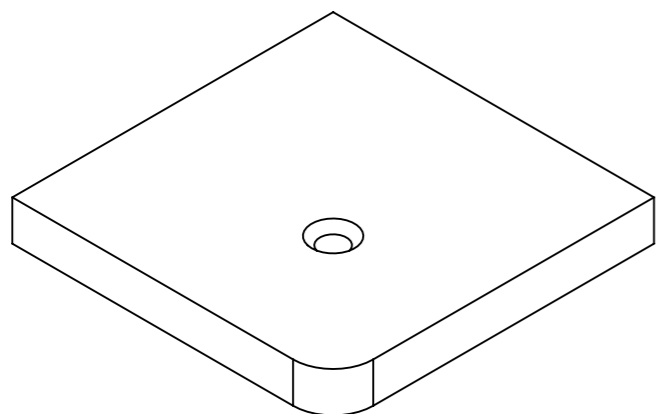
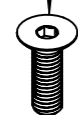
Drawing
Assembly

Scale / skala
1:20

ID.
FLFJ104B

3.
(1:2)

K2



broa.

Name / Namn.

Nest swing -HDPE Installation
FLFJ104B / BLFJ104B

Drawing

Assembly

Scale /
skala

1:20

ID.

FLFJ104B

Date / Datum

2026.02.20

Sig.

DK

Page /
sida

8/8