



broa.

Name / Name:

Double baby seat
FLFJ103B / BLFJ103B

Date / Datum

2026.02.20

Sig.

DK

Page /
Sida

1/8

Drawing / *Rajz*

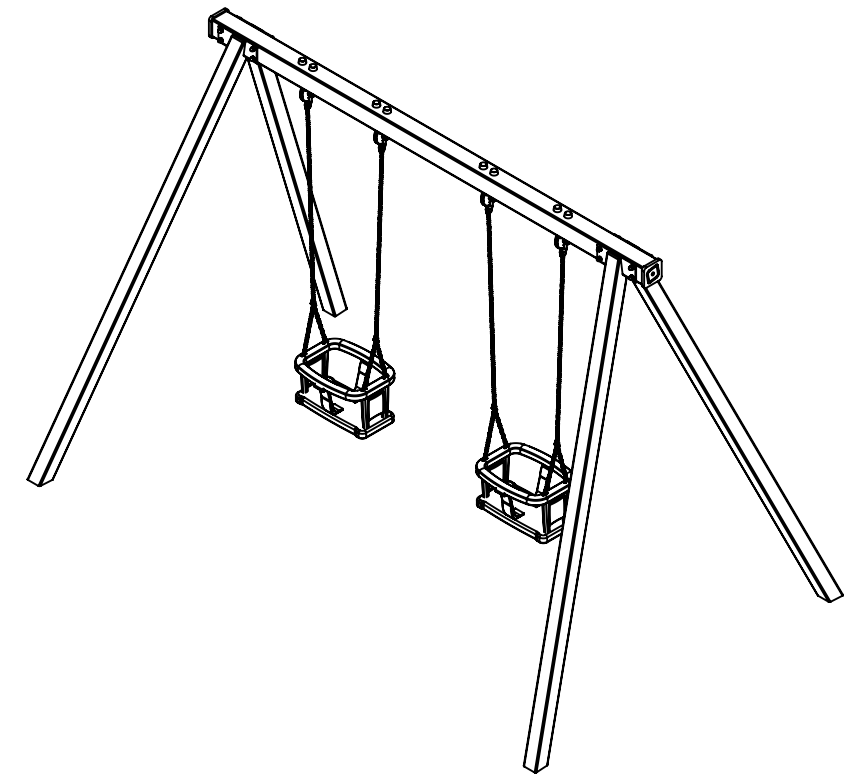
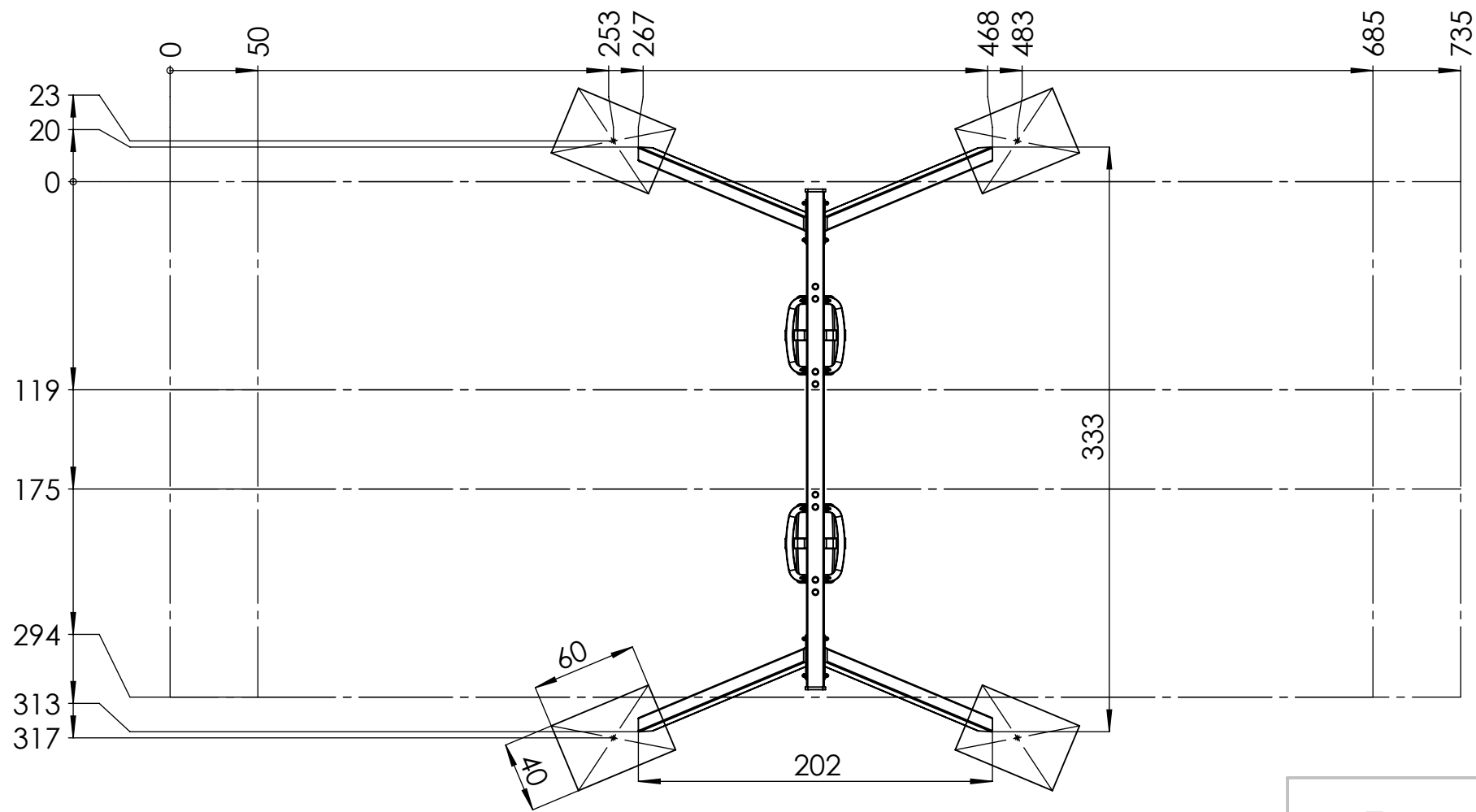
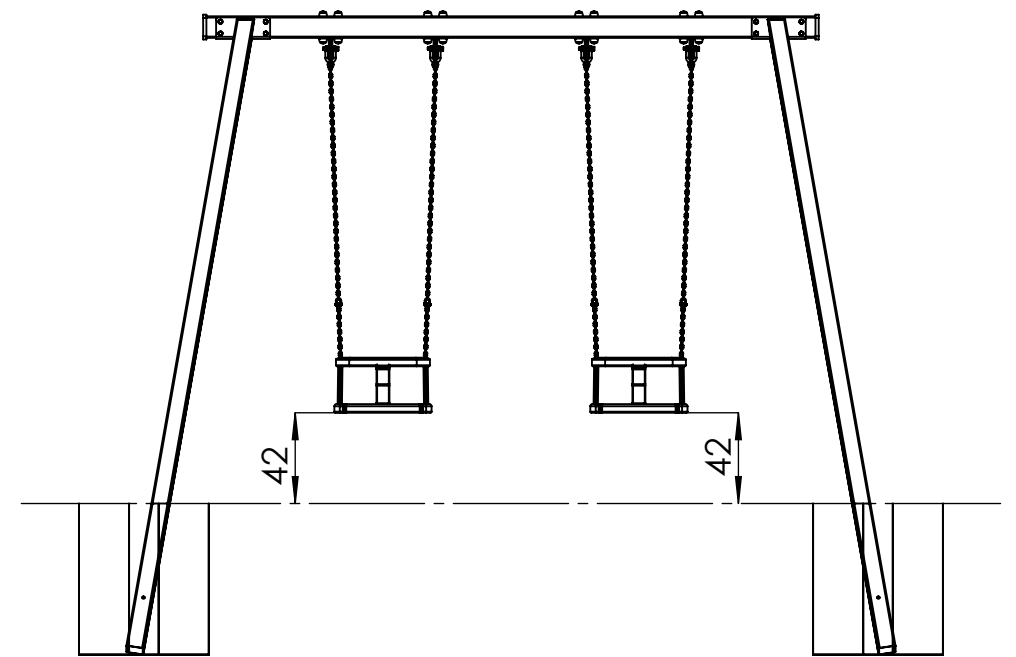
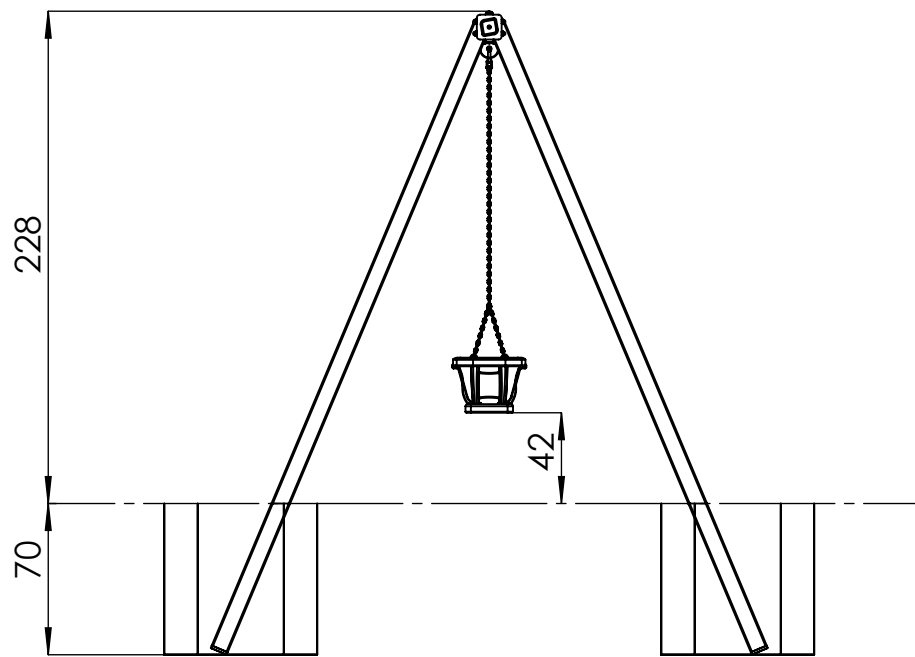
Assembly

Scale /
Skala

1:20

ID.

FLFJ103B



Measures are in cm

broa.

Name / Name:
Double baby seat - Installation
FLFJ103B / BLFJ103B

Date / Datum
2026.02.20

Sig.
DK

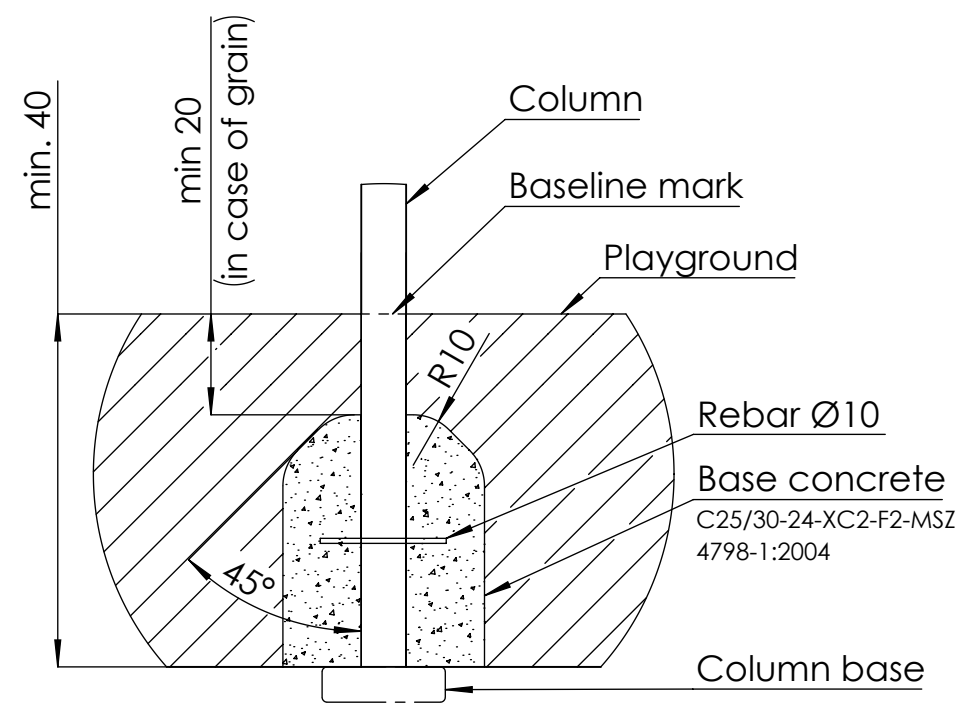
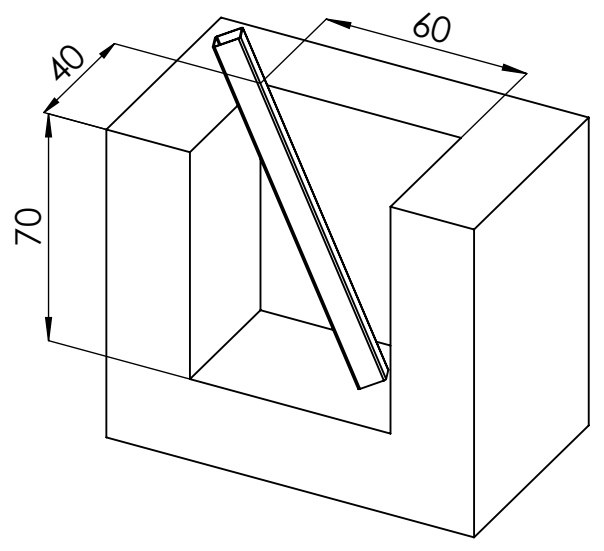
Page / Sida
2/8

Drawing
Assembly

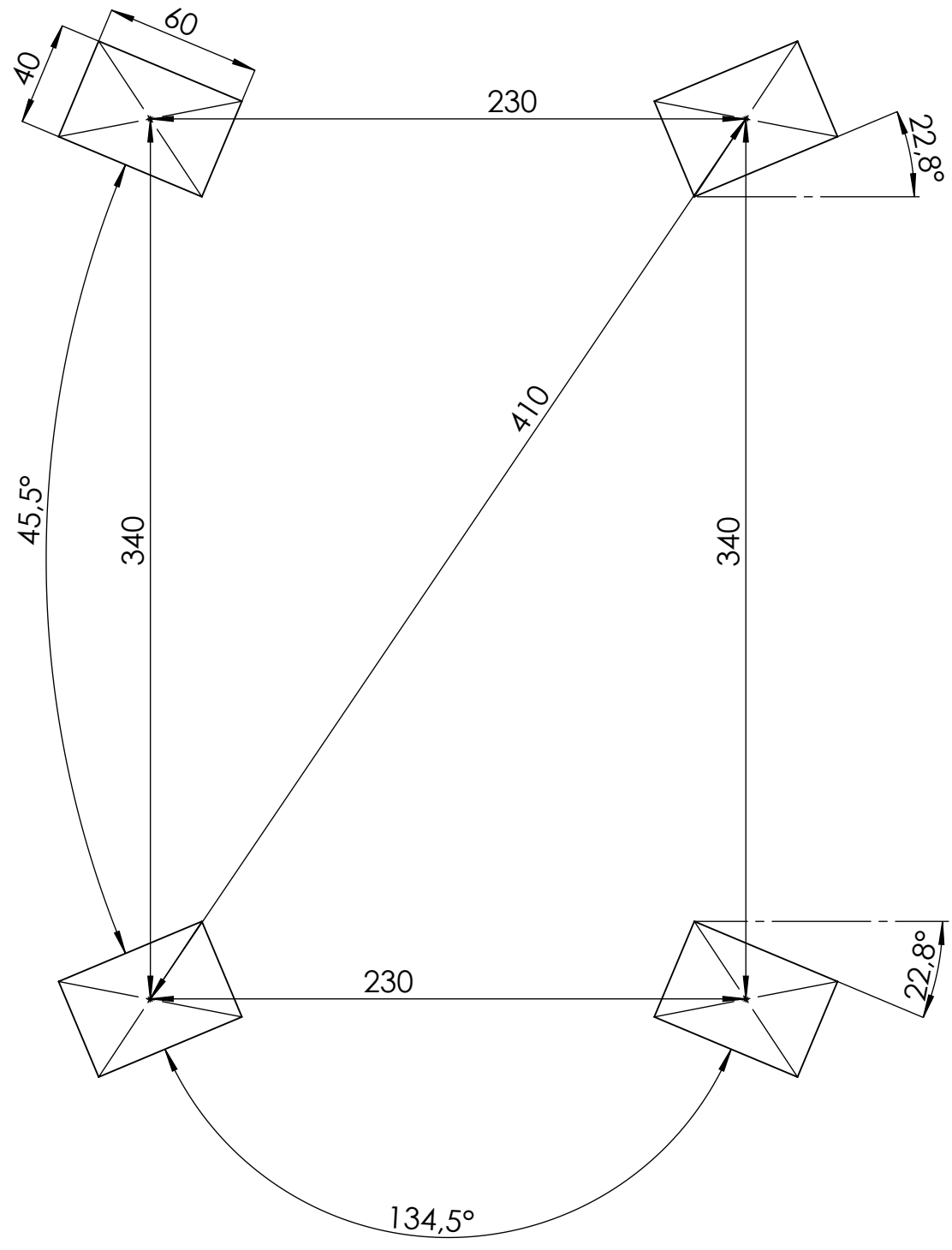
Scale / Skala
1:35

ID.
FLFJ103B

(1:20)



General foundation plan (1 : 15)



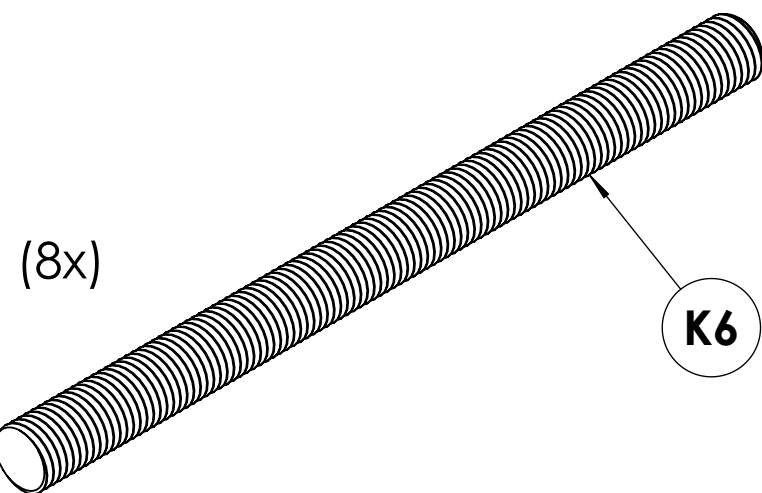
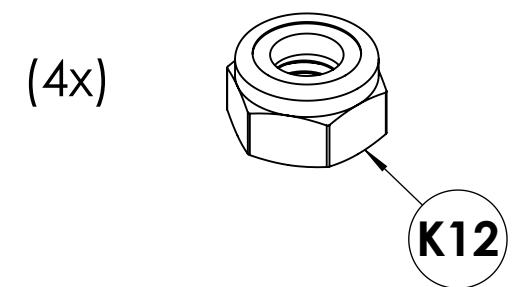
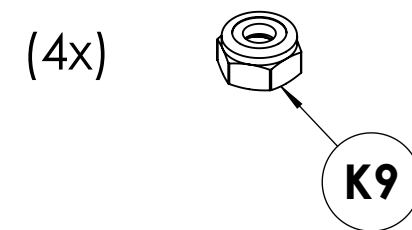
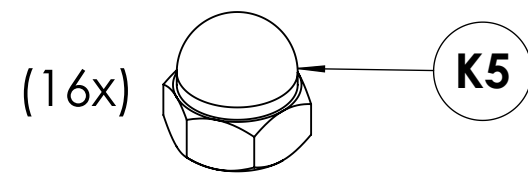
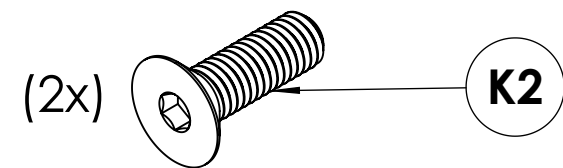
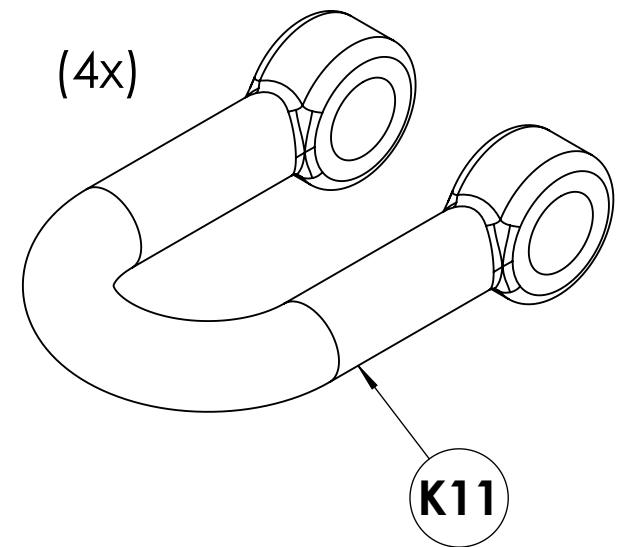
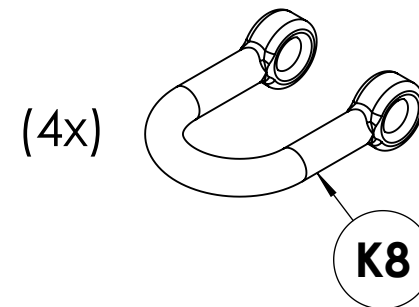
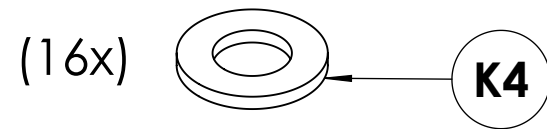
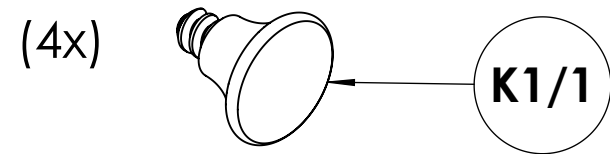
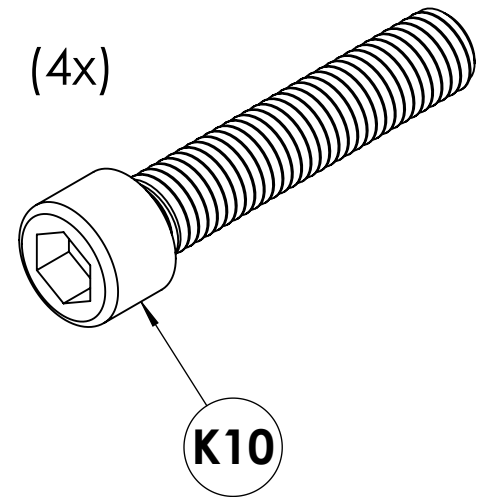
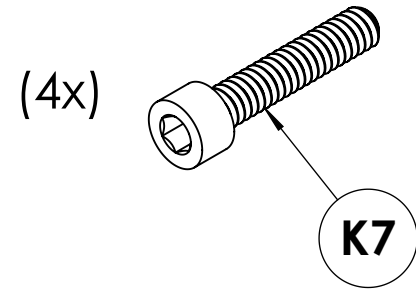
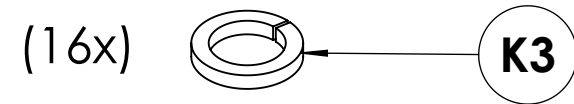
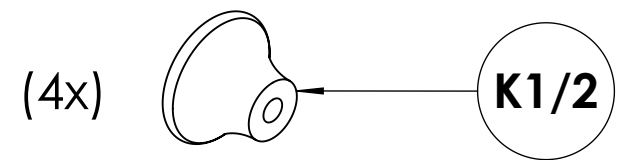
Measures are in cm

			Name / Name:		
			Double baby seat - Pier foundation FLFJ103B / BLFJ103B		
Date / Datum	Sig.	Page / Sida	Drawing	Scale / Skala	ID.
2026.02.20	DK	3/8	Assembly	1:30	FLFJ103B

BOM

NR.	NAME/NAMN.	ID	QT./ST
1.	Swing beam	FAB20609_B	1
2.	HZ1	FAB21671_A	2
3.	HZ2	FAB21672_A	2
4.	Swing beam cap	FAB23567_A	2
5.	Swing hook		4
6.	Baby seat		2
7.	Chain plug	K1	4
8.	M8×30 Countersunk socket head screw	K2	2
9.	M10 split lock washer	K3	16
10.	M10 washer	K4	16
11.	M10 cap nut	K5	16
12.	M10×140 threaded rod	K6	8
13.	M6x30 socket head cap screw	K7	4
14.	Shackle M6	K8	4
15.	M6 self-locking nut	K9	4
16.	M12x60 socket head cap screw	K10	4
17.	Shackle M12	K11	4
18.	M12 self-locking nut	K12	4
19.	Ø10 rebar for foundation		4

			Name / Name: Double baby seat - BOM FLFJ103B / BLFJ103B	
			Drawing	ID.
Date / Datum	Sig.	Page / Sida	Assembly	FLFJ103B
2026.02.20	DK	4/8		



broa.

Name / Name:

Double baby seat - Fasteners
FLFJ103B / BLFJ103B

Drawing

Assembly

Scale /
Skala

1:1

ID

FLFJ103B

Date / Datum

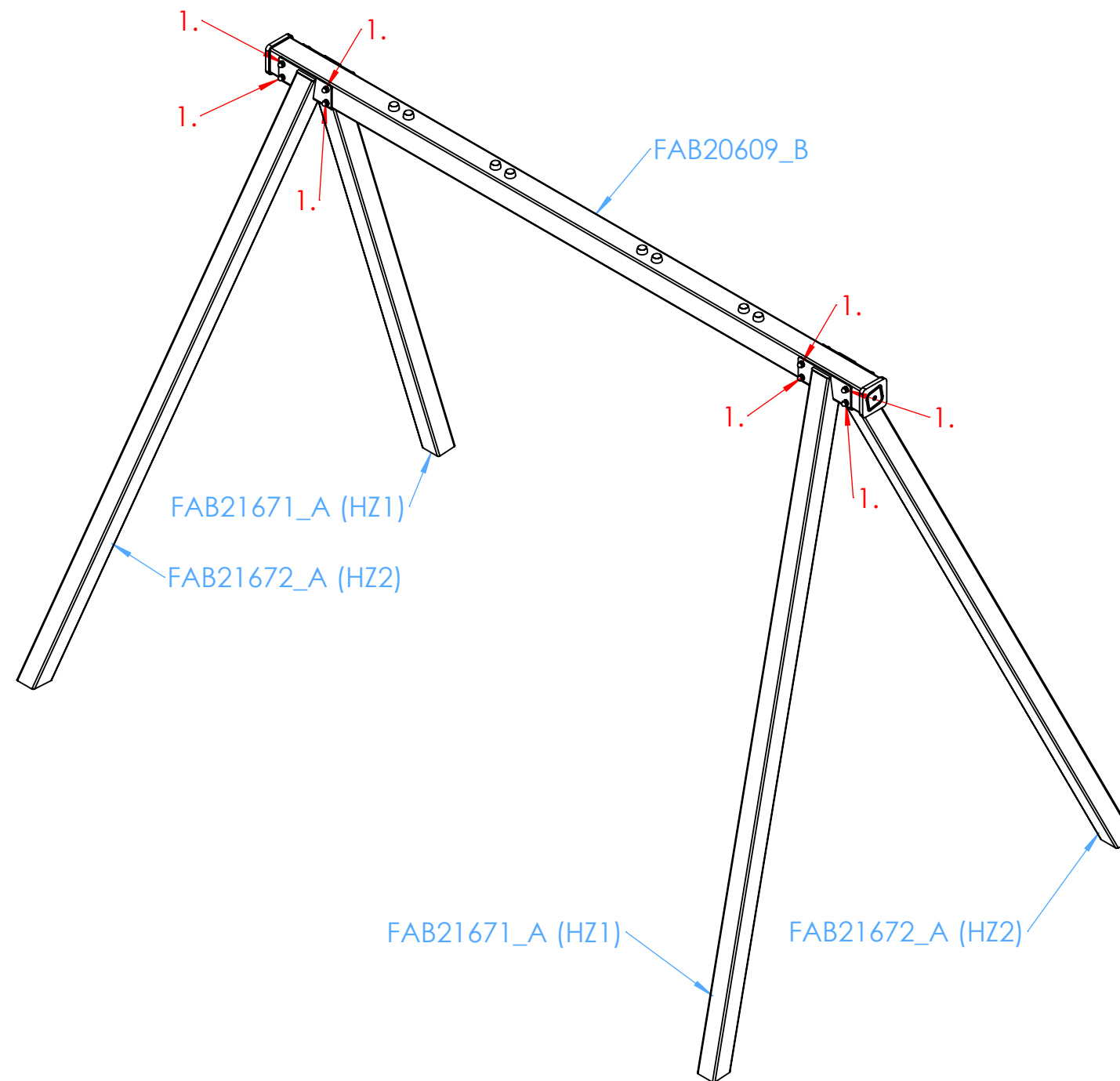
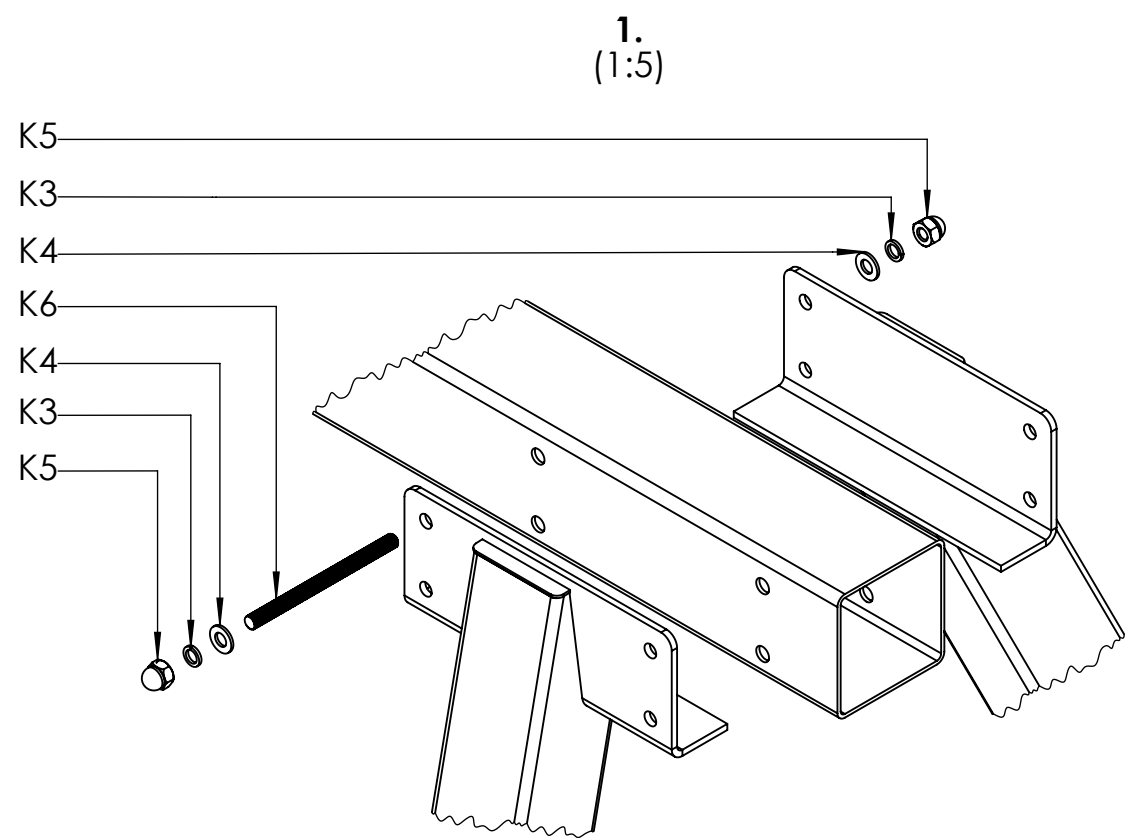
2026.02.20

Sig.

DK

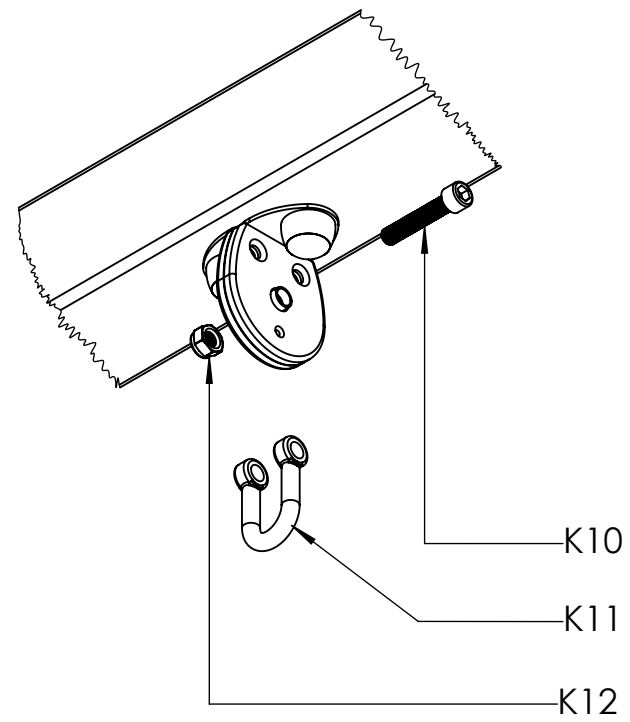
Page /
Sida

5/8

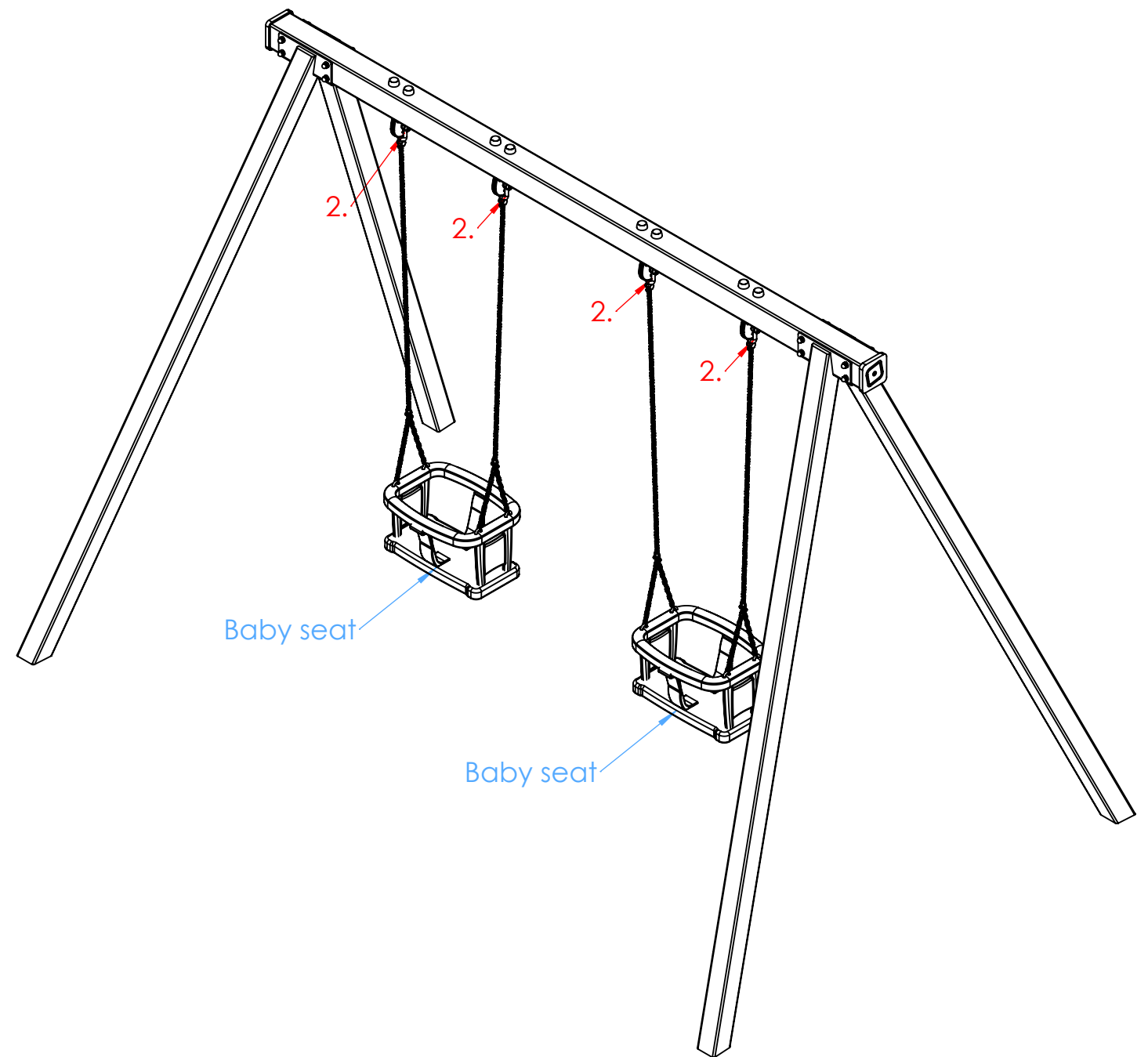
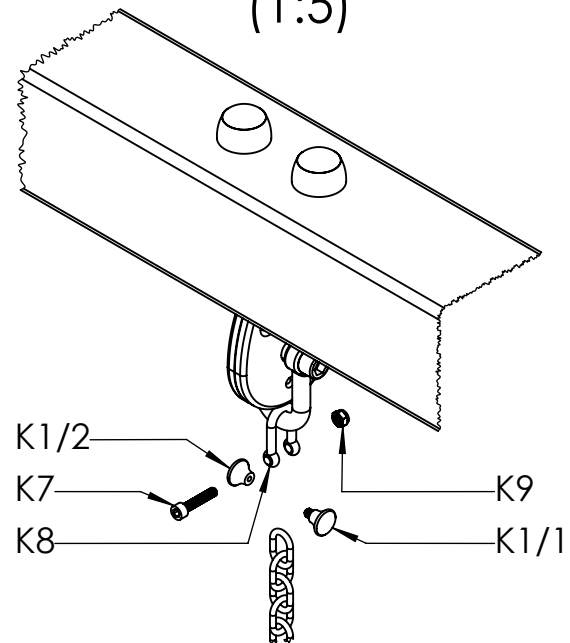


			Name / Name:		
			Double baby seat - Structure FLFJ103B / BLFJ103B		
Date / Datum	Sig.	Page / Sida	Drawing	Scale / Skala	ID.
2026.02.20	DK	6/8	Assembly	1:20	FLFJ103B

2.
(1:5)



(1:5)



broa.

Name / Name:
Double baby seat - Swing installation
FLFJ103B / BLFJ103B

Date / Datum
2026.02.20

Sig.
DK

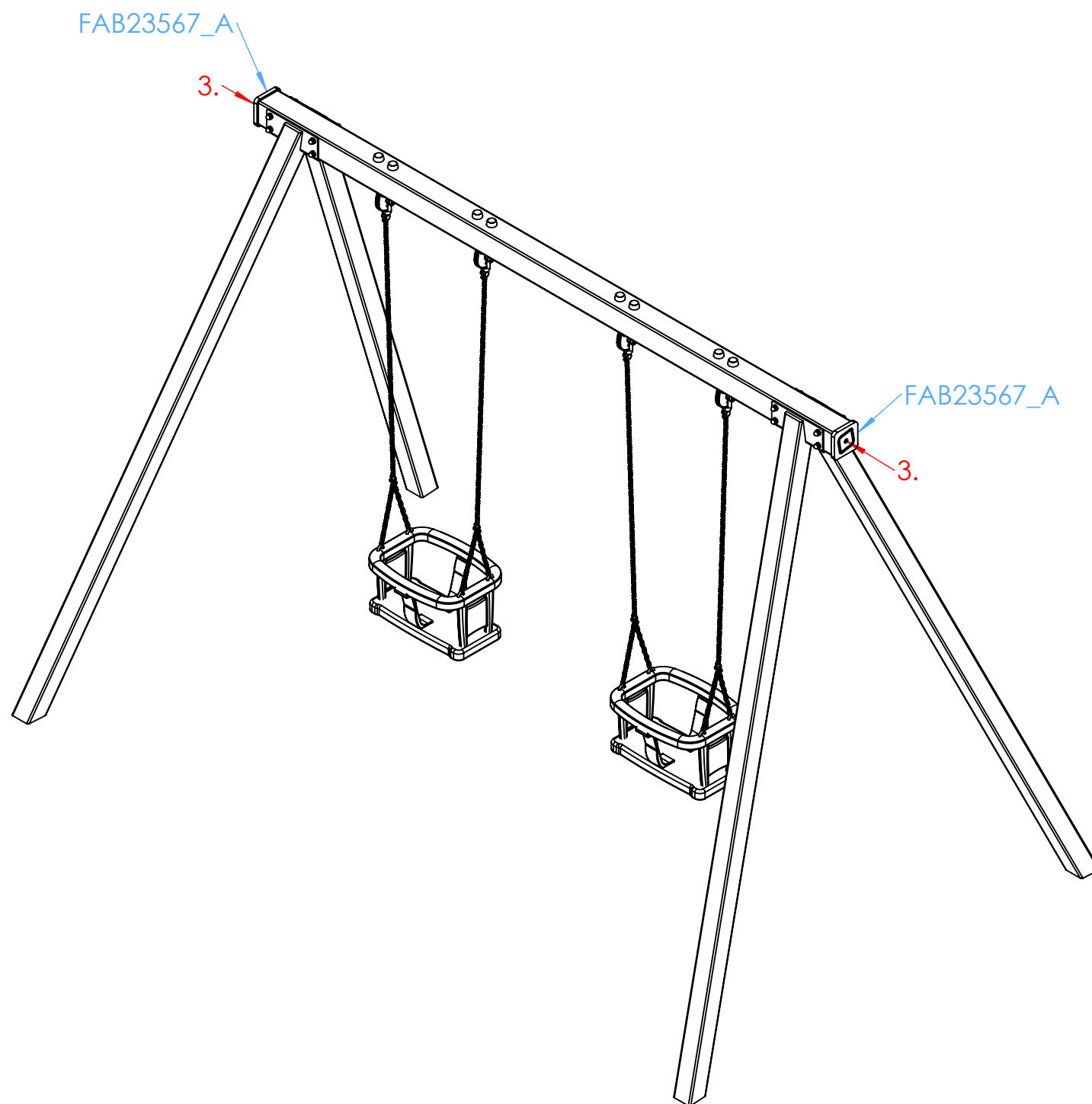
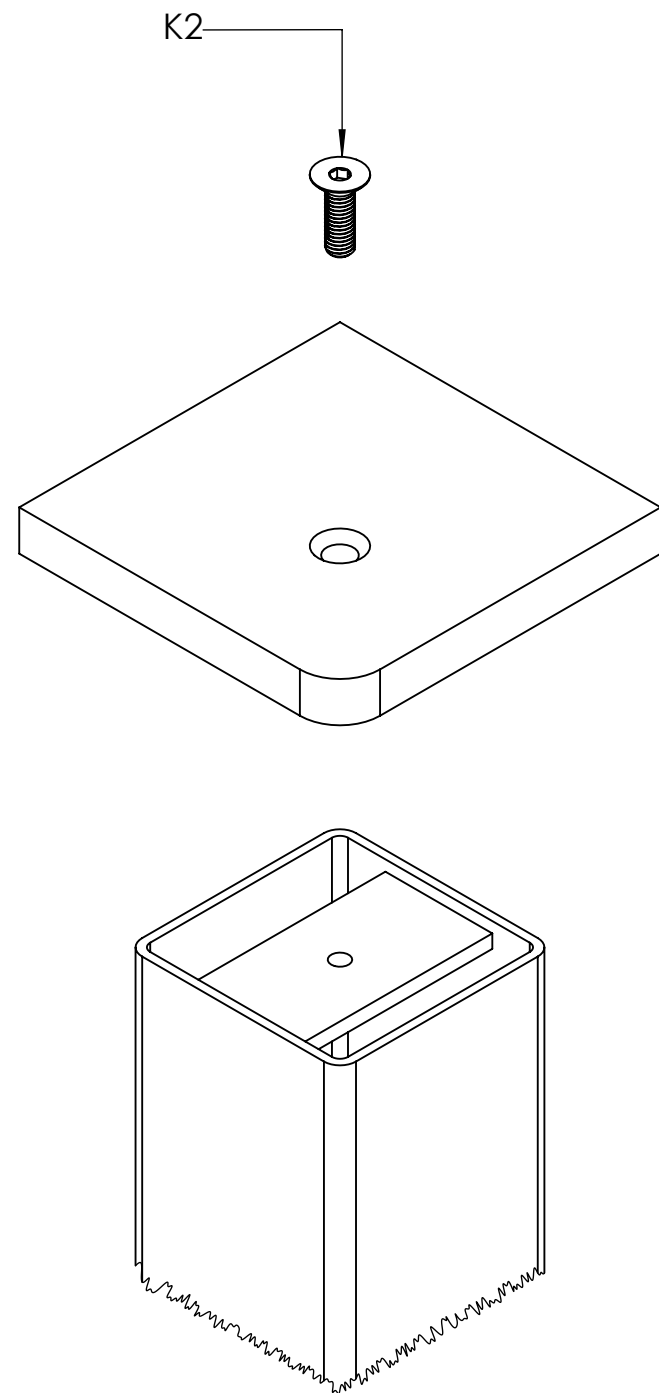
Page /
sida
7/8

Drawing
Assembly

Scale /
Skala
1:20

ID.
FLFJ103B

3.
(1:2)



broa.

Name / Name:

Double baby seat / -HDPE Installation
FLFJ103B / BLFJ103B

Date / Datum

2026.02.20

Sig.

DK

Page /
Sida

8/8

Drawing

Assembly

Scale /
Skala

1:20

ID.

FLFJ103B