



broa.

Name / Namn:
Double swing seat
FLFJ102B / BLFJ102B

Date / Datum
2026.02.20

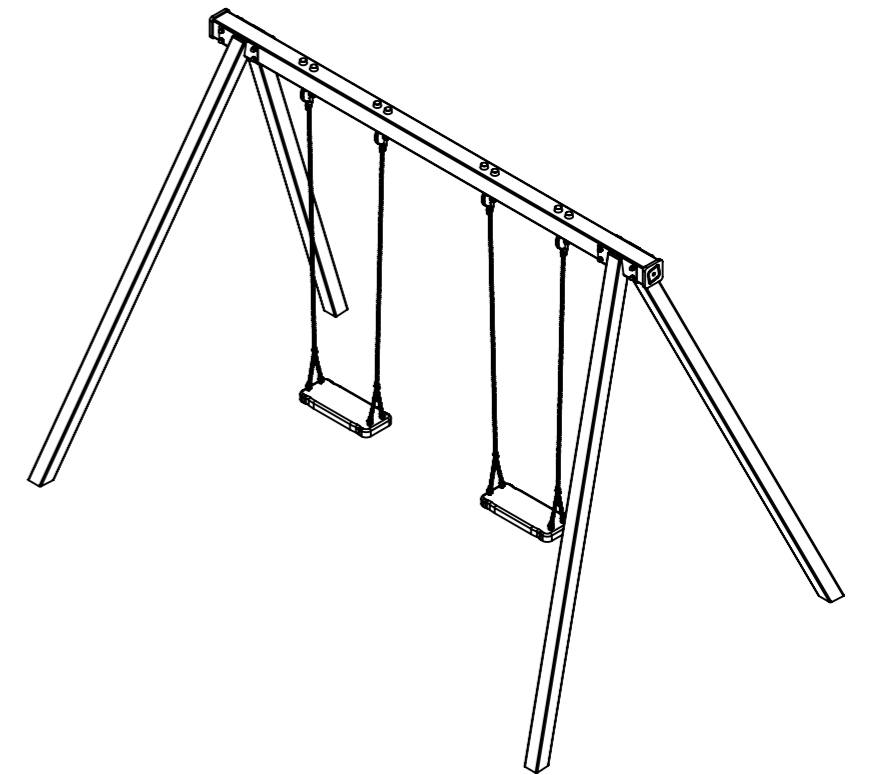
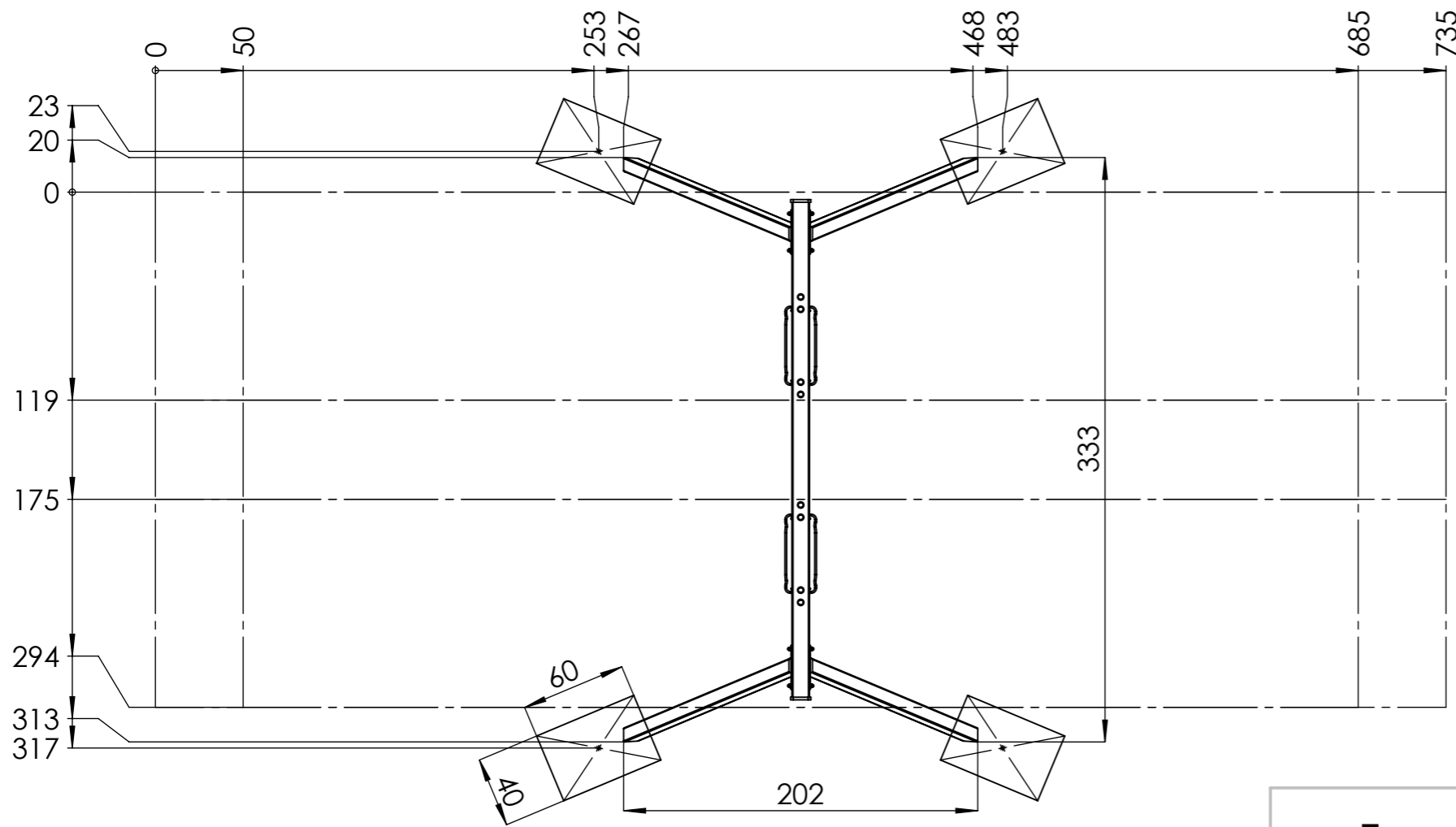
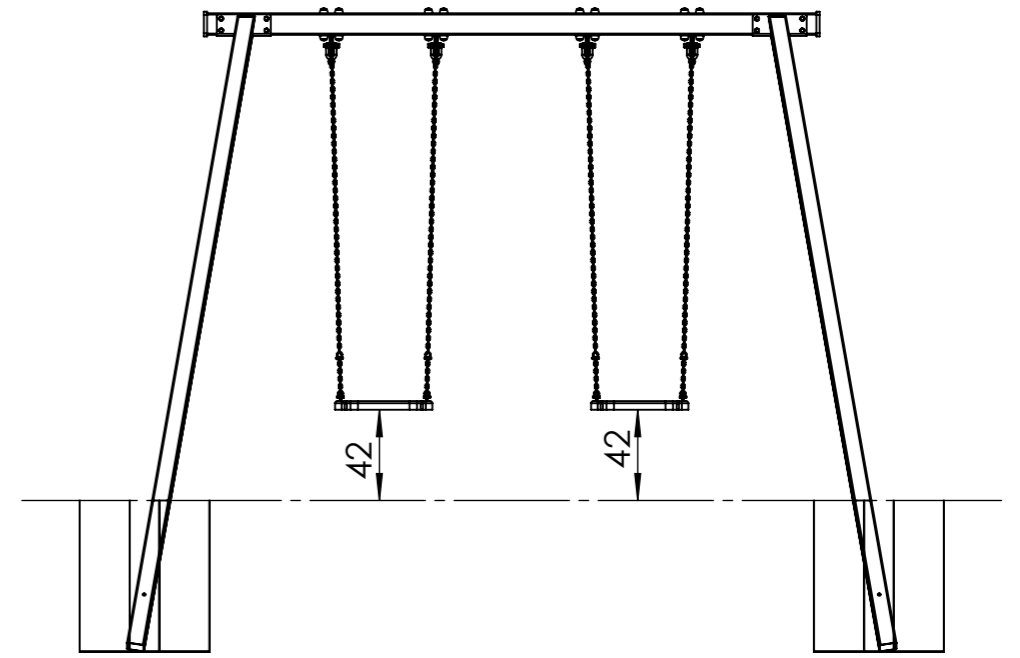
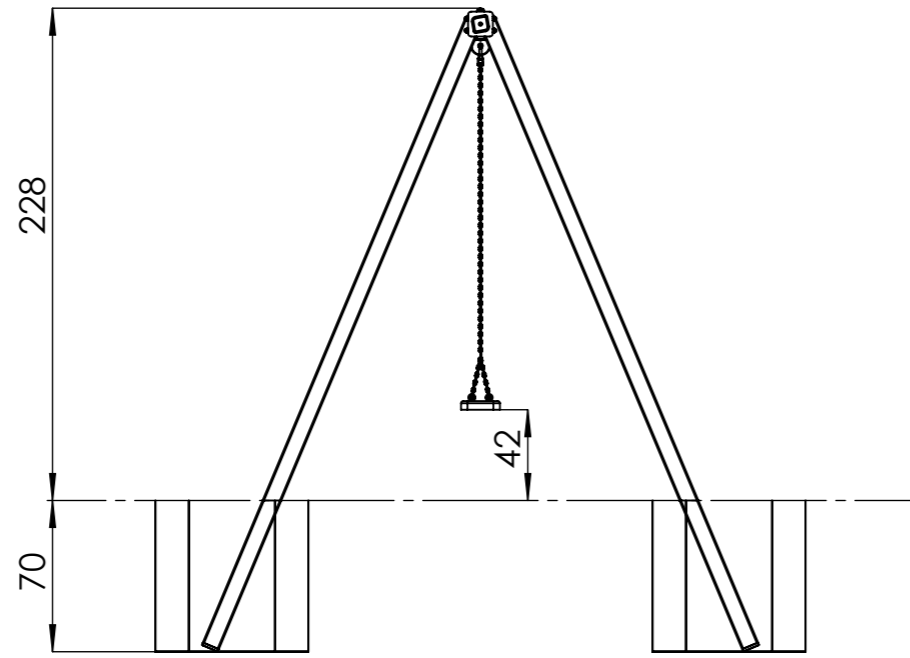
Monogram
DK

Page /
sida
1/8

Drawing
Assembly

Scale /
skala
1:20

ID / Art. nr:
FLFJ102B "D"



Measures are in cm

broa.

Name / Namn:
Double swing seat - Installation
FLFJ102B / BLFJ102B

Date / Datum
2026.02.20

Monogram
DK

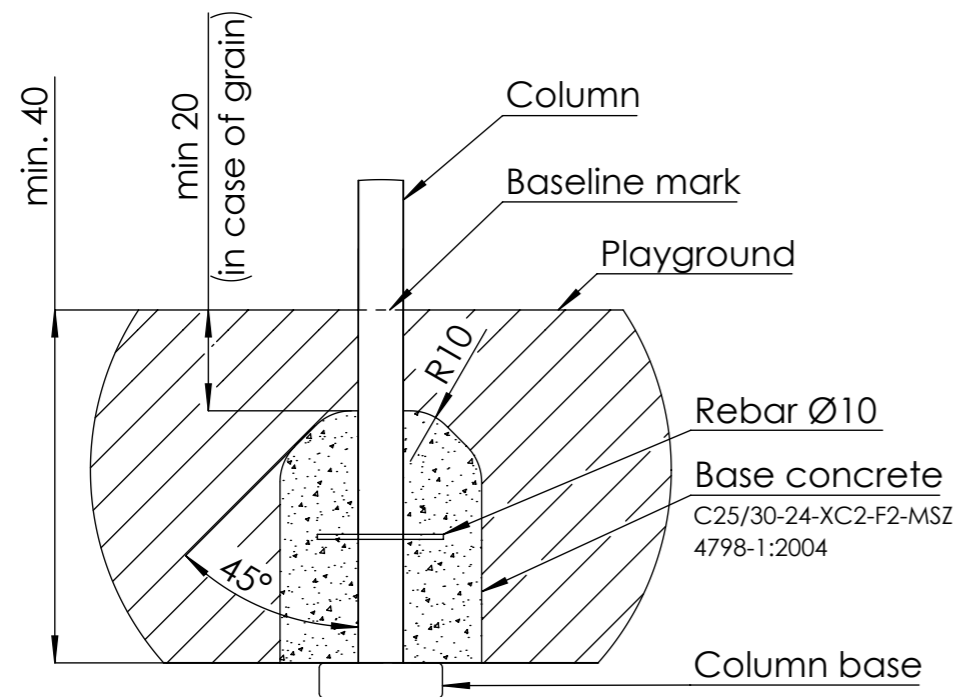
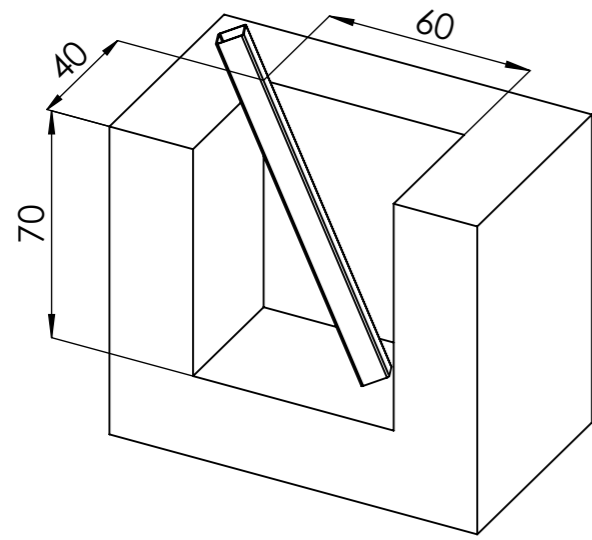
Page / sida
2/8

Drawing
Assembly

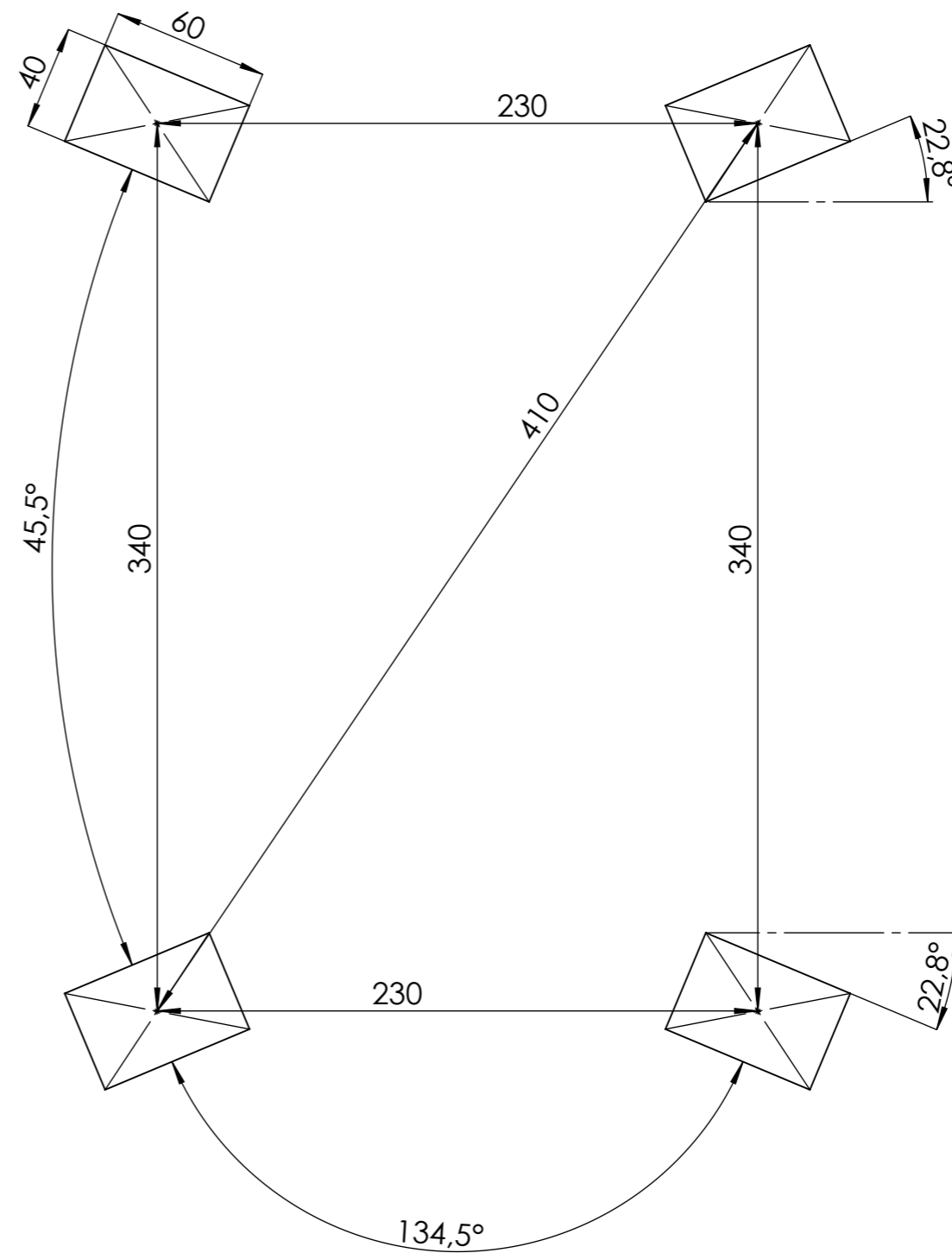
Scale / skala
1:35

ID / Art. nr:
FLFJ102B "D"

(1:20)



General foundation plan (1 : 15)



Measures are in cm

broa.

Name / Namn:

Double swing seat - Pier foundation
FLFJ102B / BLFJ102B

Drawing

Assembly

Scale / skala

1:30

ID / Art. nr:

FLFJ102B

Date / Datum

2026.02.20

Monogram

DK

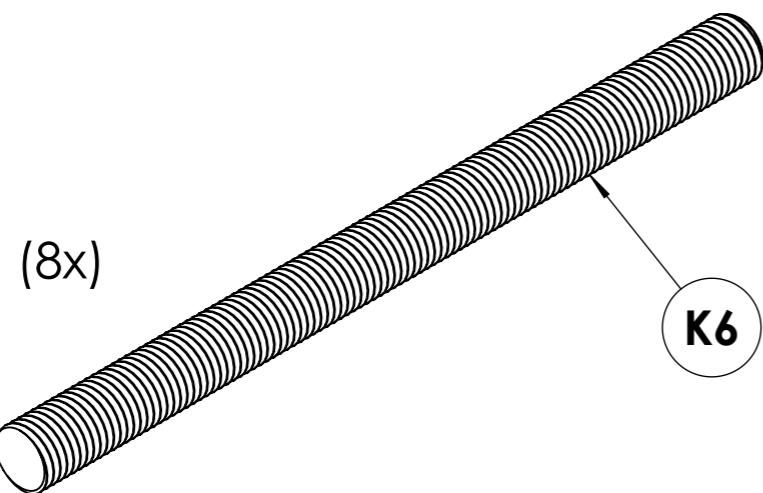
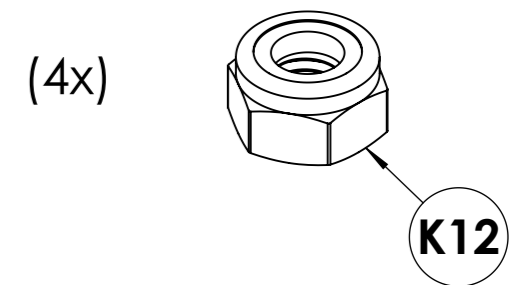
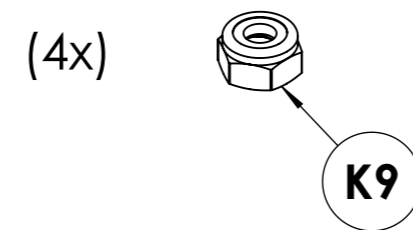
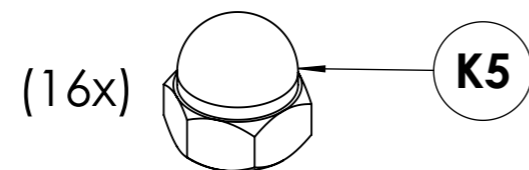
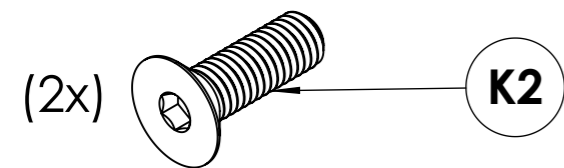
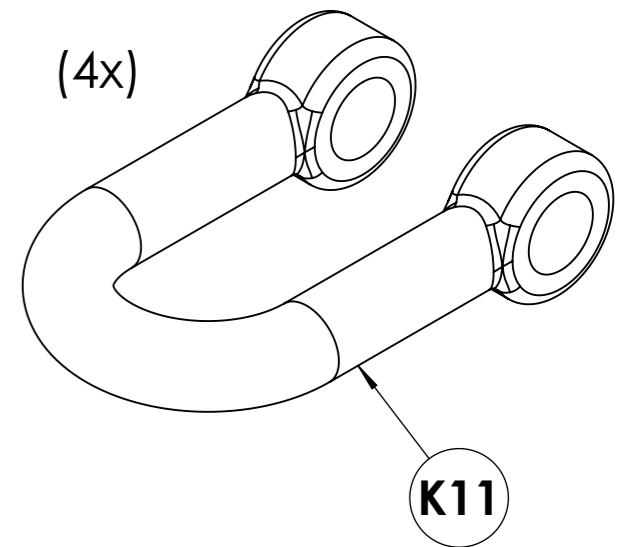
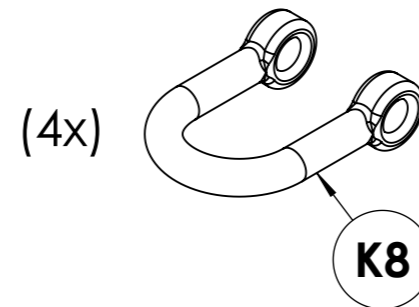
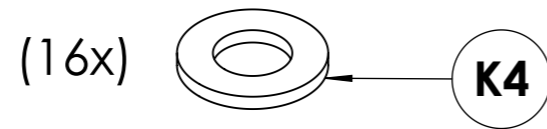
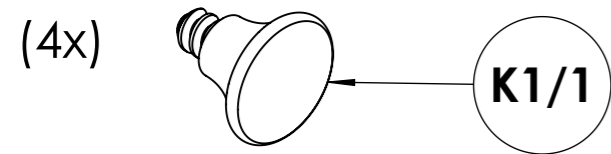
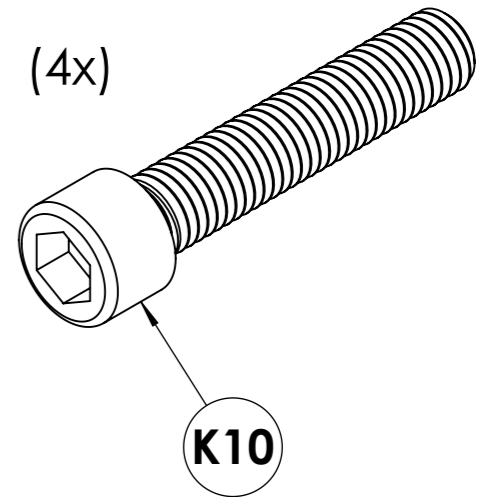
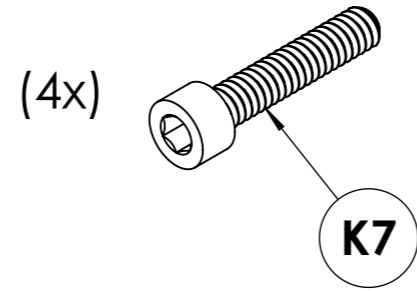
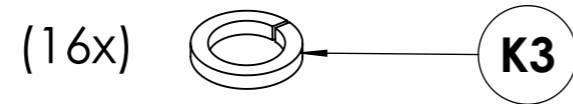
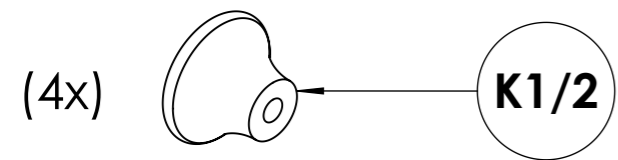
Page / sida

3/8

BOM

NR.	NAME/NAMN:	ID/ART.NR:	ST./DB
1.	Swing beam	FAB20609_B	1
2.	HZ1	FAB21671_A	2
3.	HZ2	FAB21672_A	2
4.	Swing beam cap	FAB23567_A	2
5.	Swing hook		4
6.	Swing seat		2
7.	Chain plug	K1	4
8.	M8×30 Countersunk socket head screw	K2	2
9.	M10 split lock washer,	K3	16
10.	M10 washer	K4	16
11.	M10 cap nut	K5	16
12.	M10×140 threaded rod	K6	8
13.	M6x30 socket head cap screw	K7	4
14.	Shackle M6	K8	4
15.	M6 self-locking nut	K9	4
16.	M12x60 socket head cap screw	K10	4
17.	Shackle M12	K11	4
18.	M12 self-locking nut	K12	4
19.	Ø10 rebar for foundation		4

			Name / Namn: Double swing seat - BOM FLFJ102B / BLFJ102B	
			Drawing	ID / Art. nr:
Date / Datum	Monogram	Page / sida	Assembly	FLFJ102B
2026.02.20	DK	4/8		



broa.

Name / Namn:

Double swing seat - Fasteners
FLFJ102B / BLFJ102B

Drawing

Assembly

Scale /
skala

1:1

ID / Art. nr:

FLFJ102B

Date / Datum

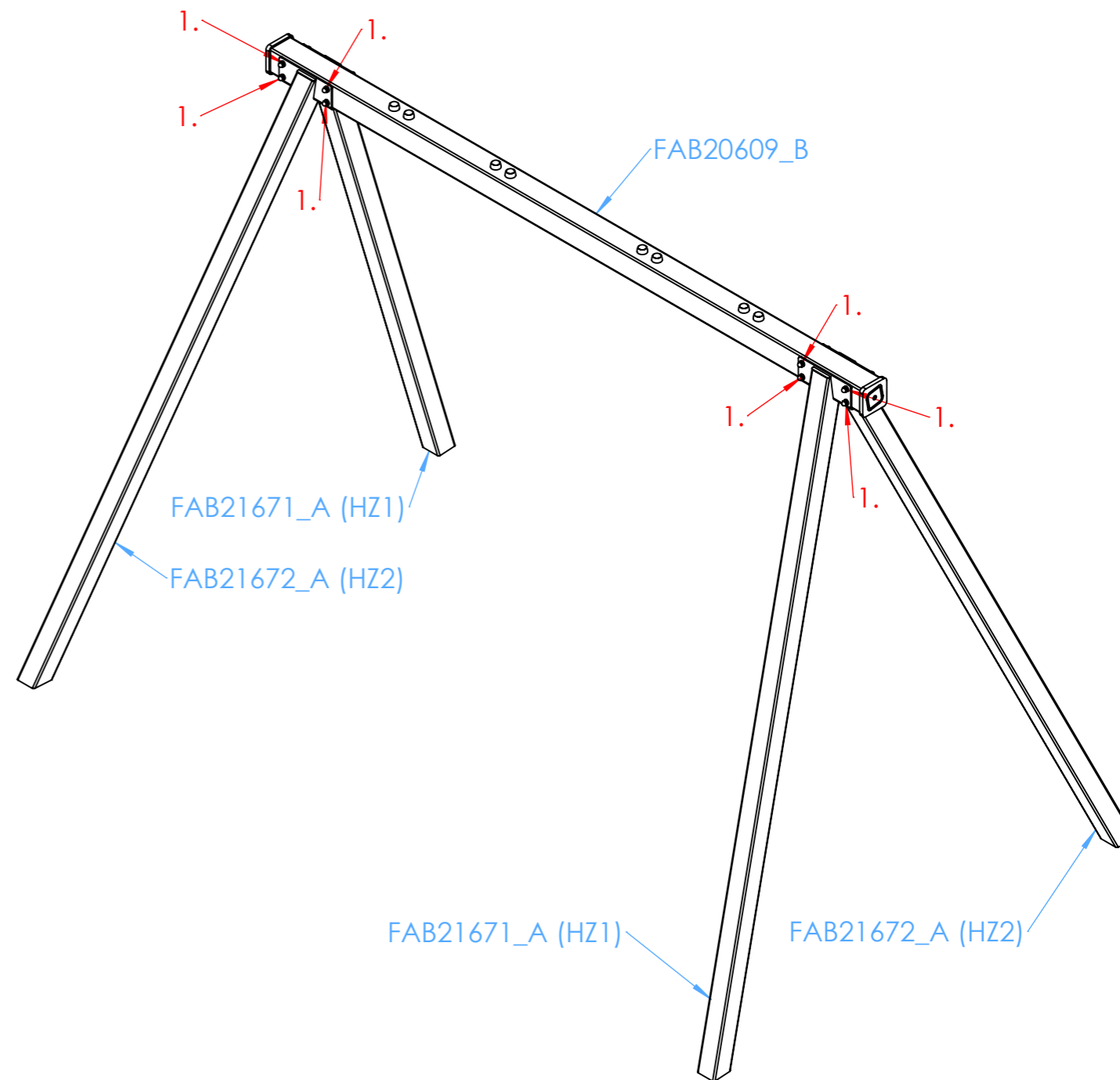
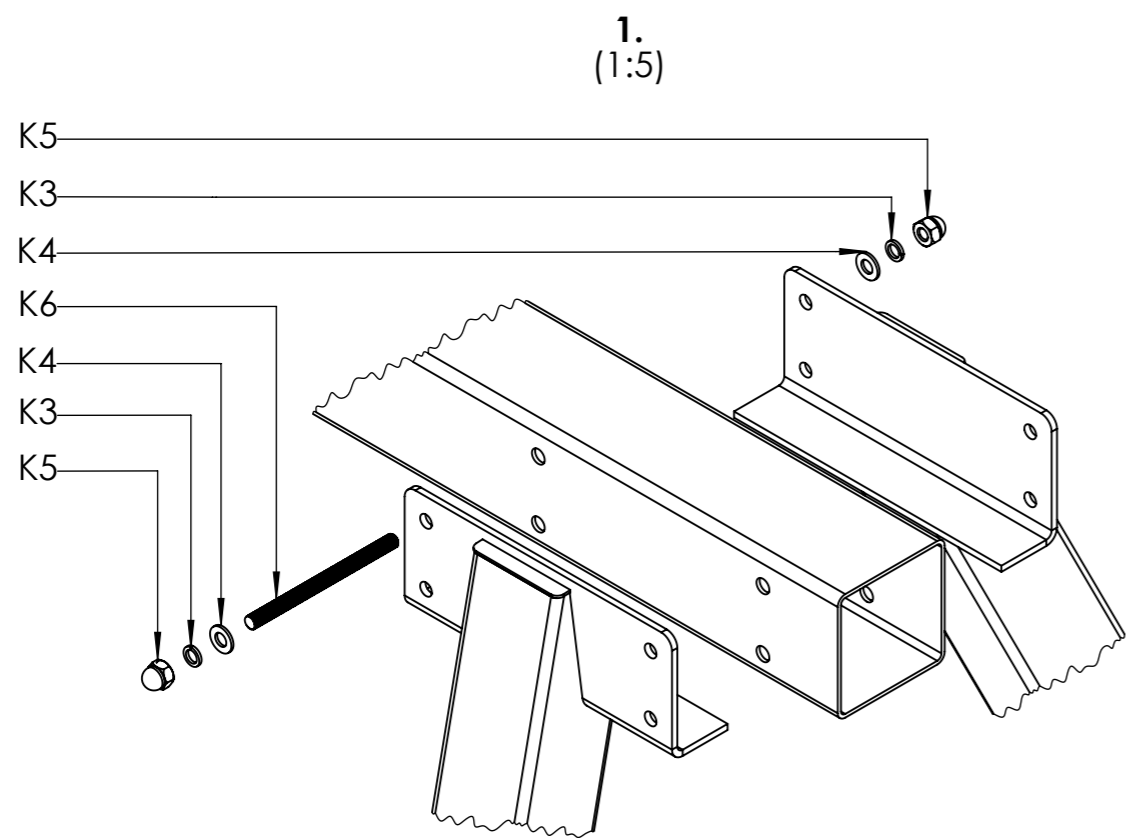
2026.02.20

Monogram

DK

Page /
sida

5/8



broa.

Name / Namn:
Double swing seat - Structure
FLFJ102B / BLFJ102B

Date / Datum
2026.02.20

Monogram
DK

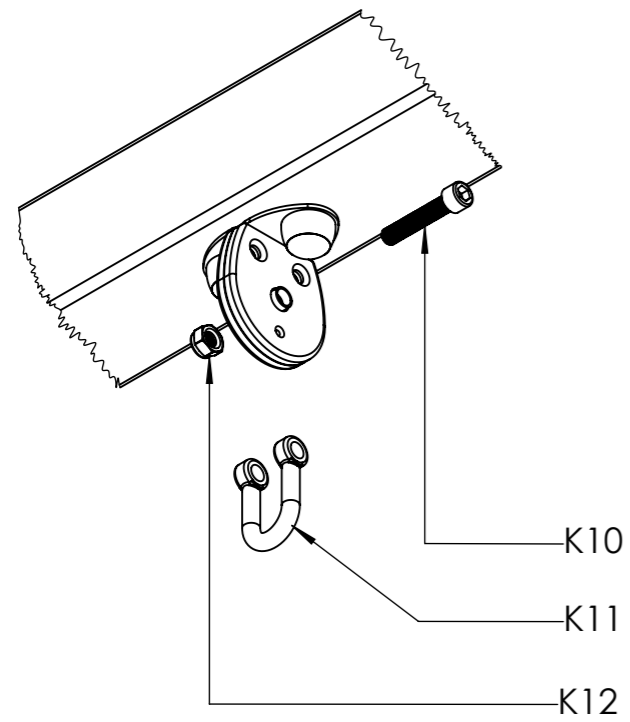
Page / sida
6/8

Drawing
Assembly

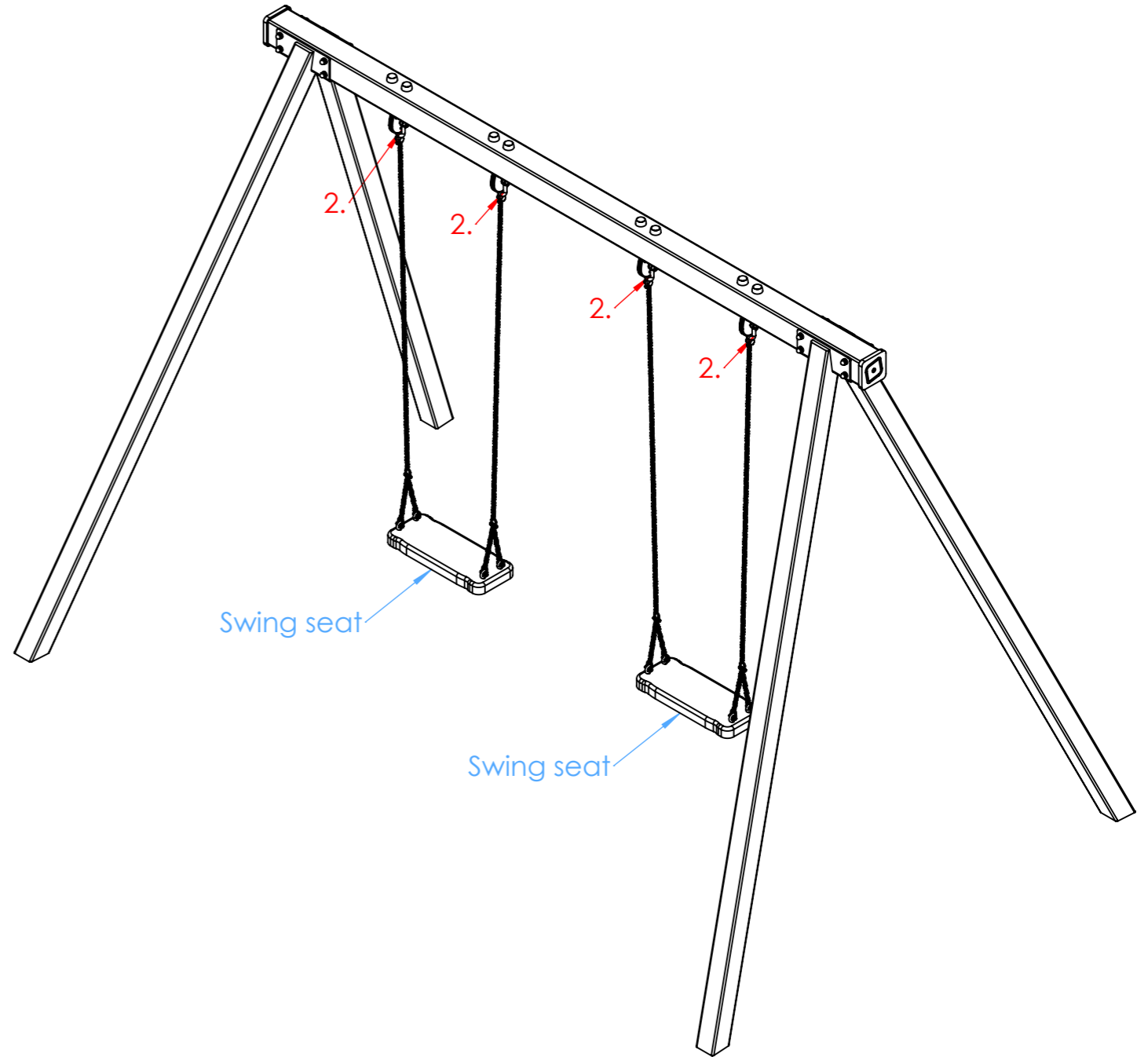
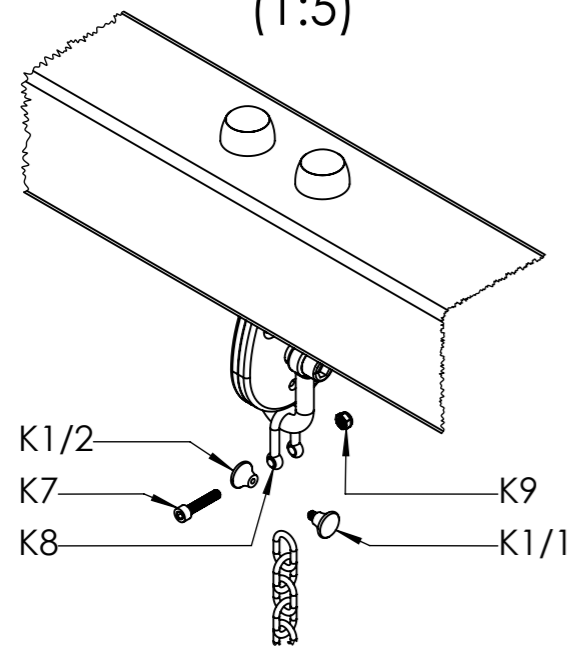
Scale / skala
1:20

ID / Art. nr:
FLFJ102B

2.
(1:5)



(1:5)



broa.

Name / Namn:
Double swing seat - Swing installation
FLFJ102B / BLFJ102B

Date / Datum
2026.02.20

Monogram
DK

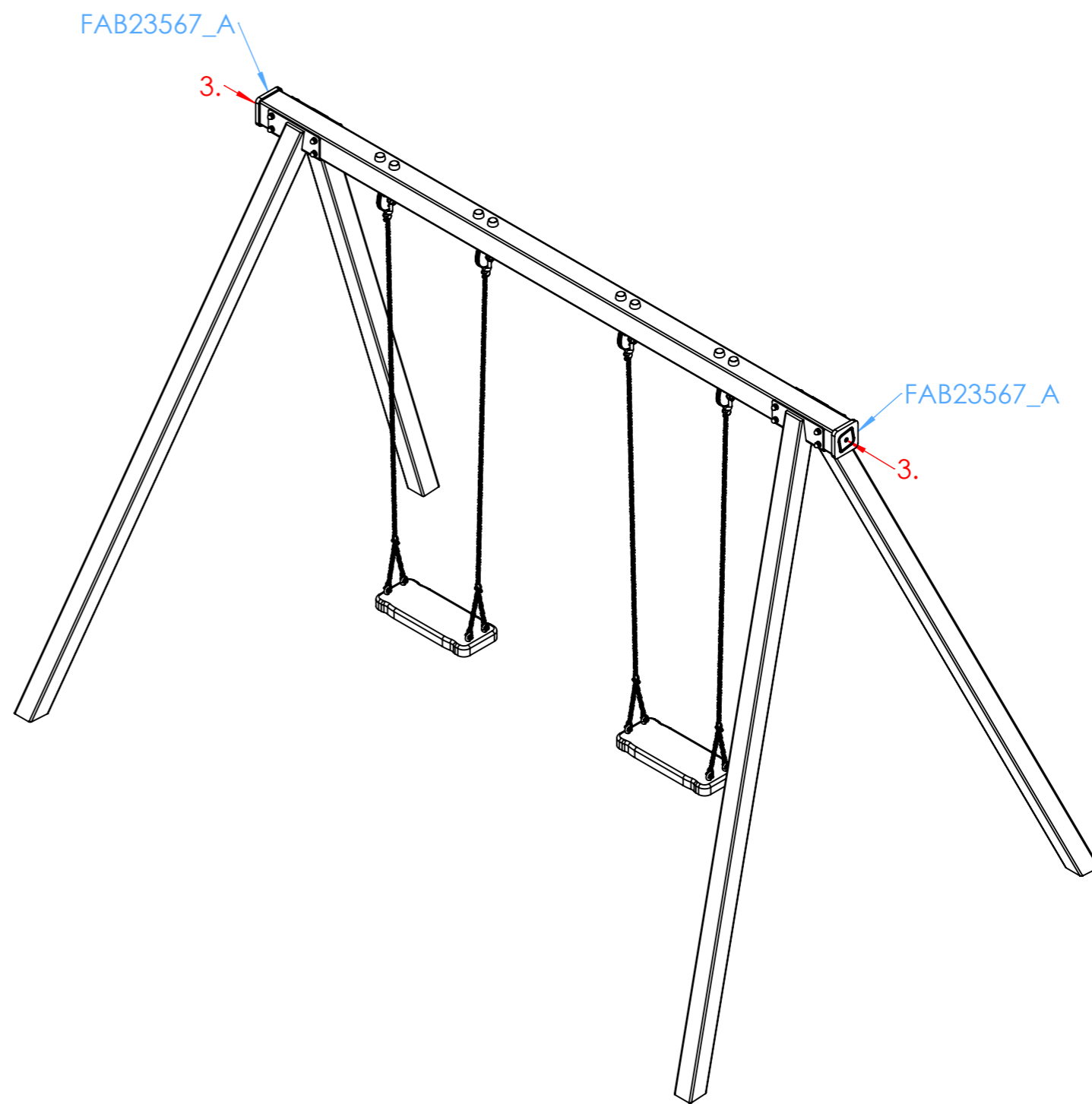
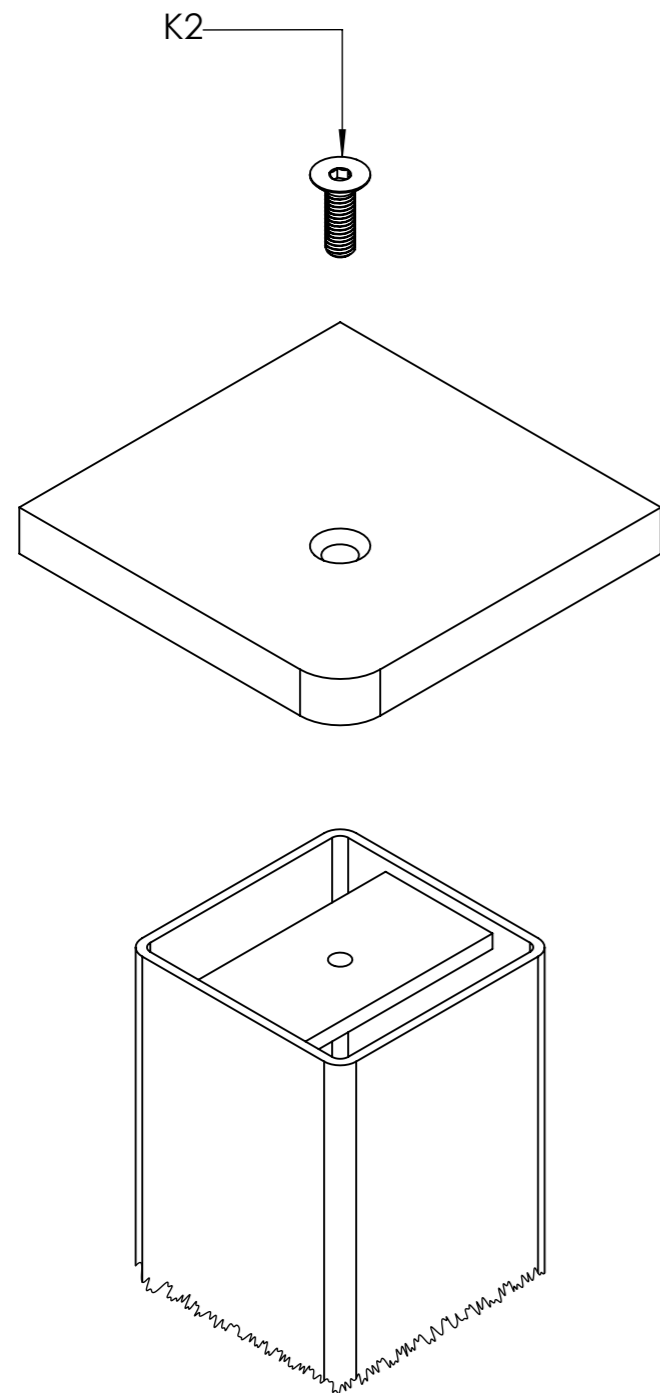
Page / sida
7/8

Drawing
Assembly

Scale / skala
1:20

ID / Art. nr:
FLFJ102B

3.
(1:2)



broa.

Name / Namn:
Double swing seat / -HDPE Installation
FLFJ102B / BLFJ102B

Date / Datum
2026.02.20

Monogram
DK

Page / sida
8/8

Drawing
Assembly

Scale / skala
1:20

ID / Art. nr:
FLFJ102B