



broa.

Name / Namn
Swing seat and baby seat
FLFJ101B

Date / Datum
2025. 08. 29.

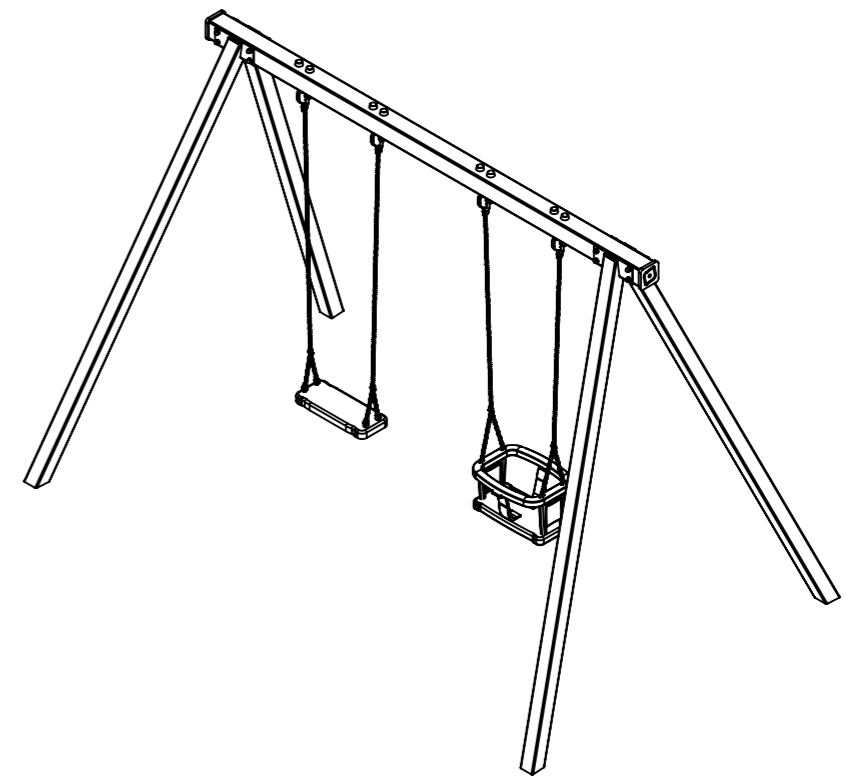
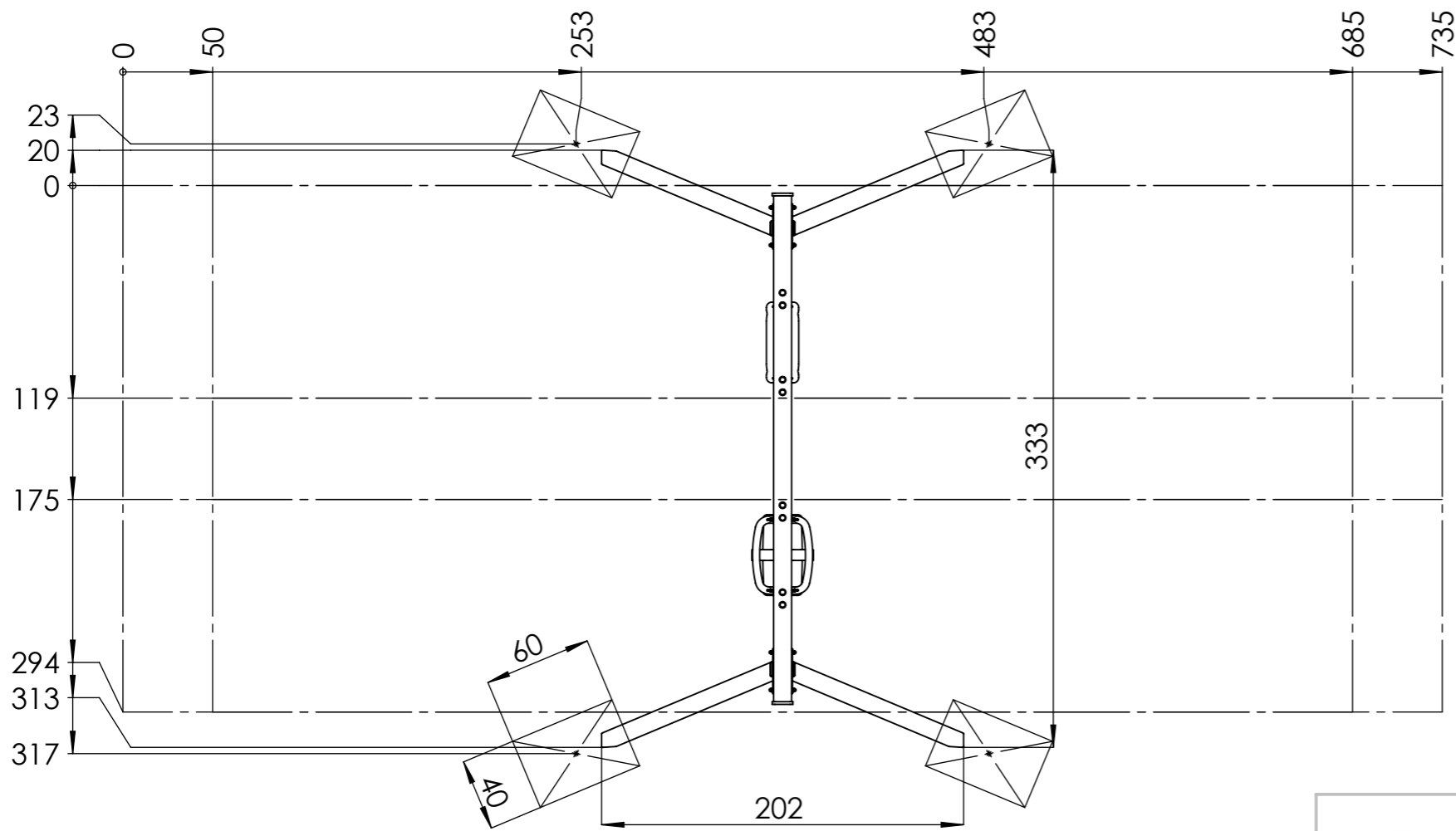
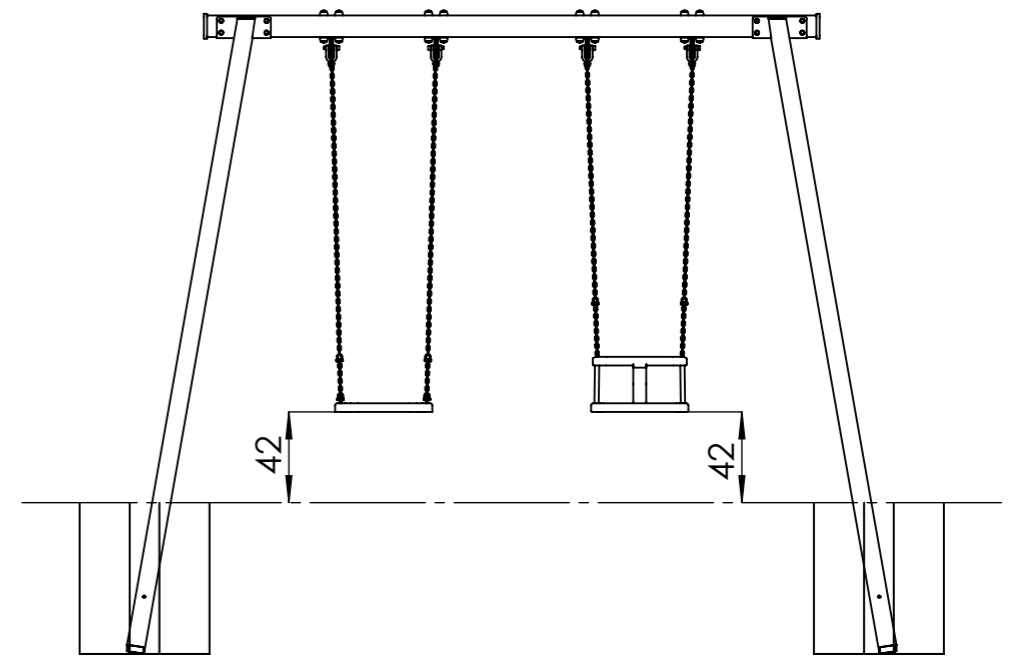
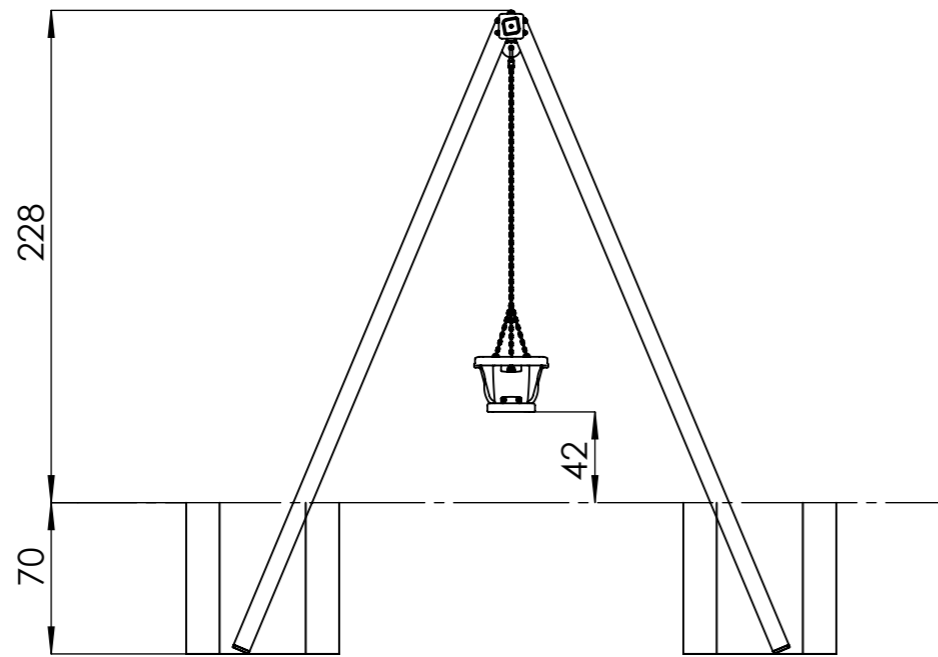
Sign.
DK

Page / Sida
1/8

Drawing
Assembly

Scale / Skala
1:20

ID.
FLFJ101B



Measures are in cm

broa.

Name / Namn
Swing seat and baby seat - Installation
FLFJ101B

Date / Datum
2025. 08. 29.

Sign.
DK

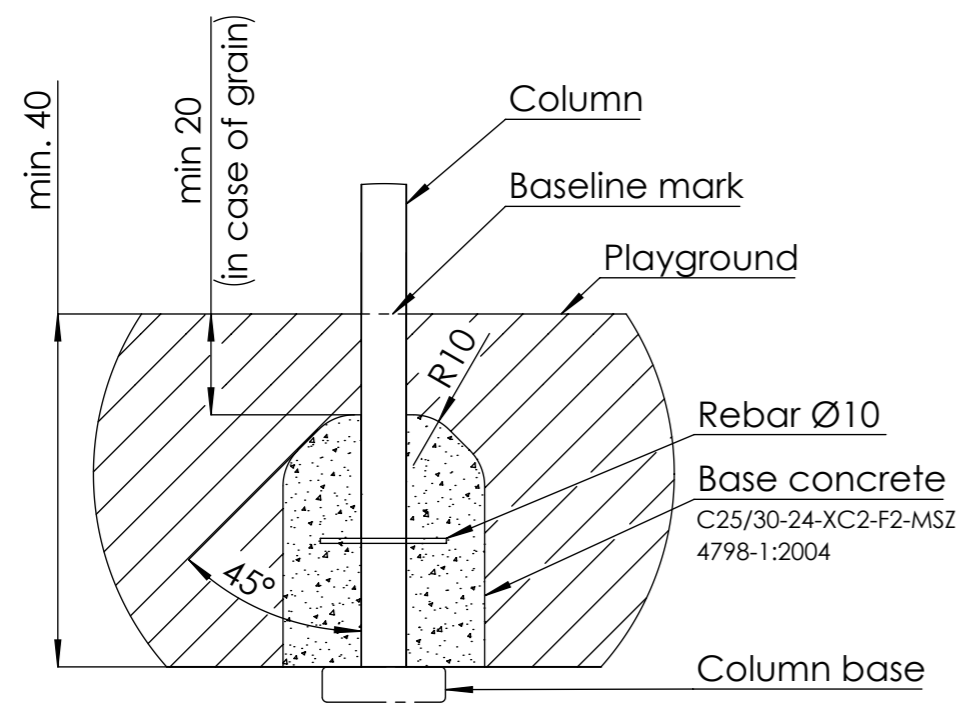
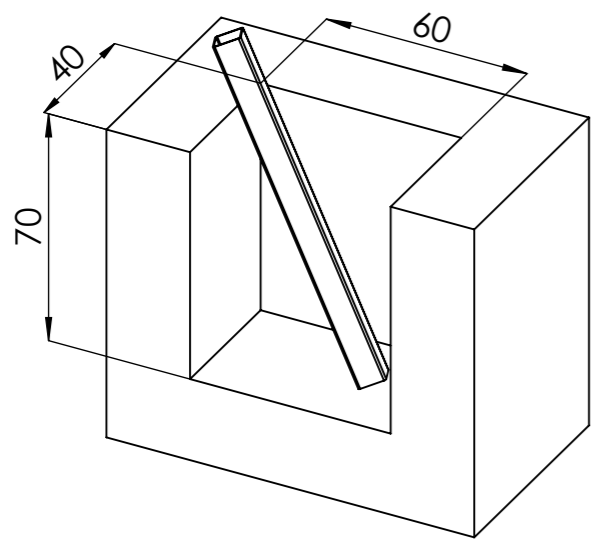
Page / Sida
2/8

Drawing
Assembly

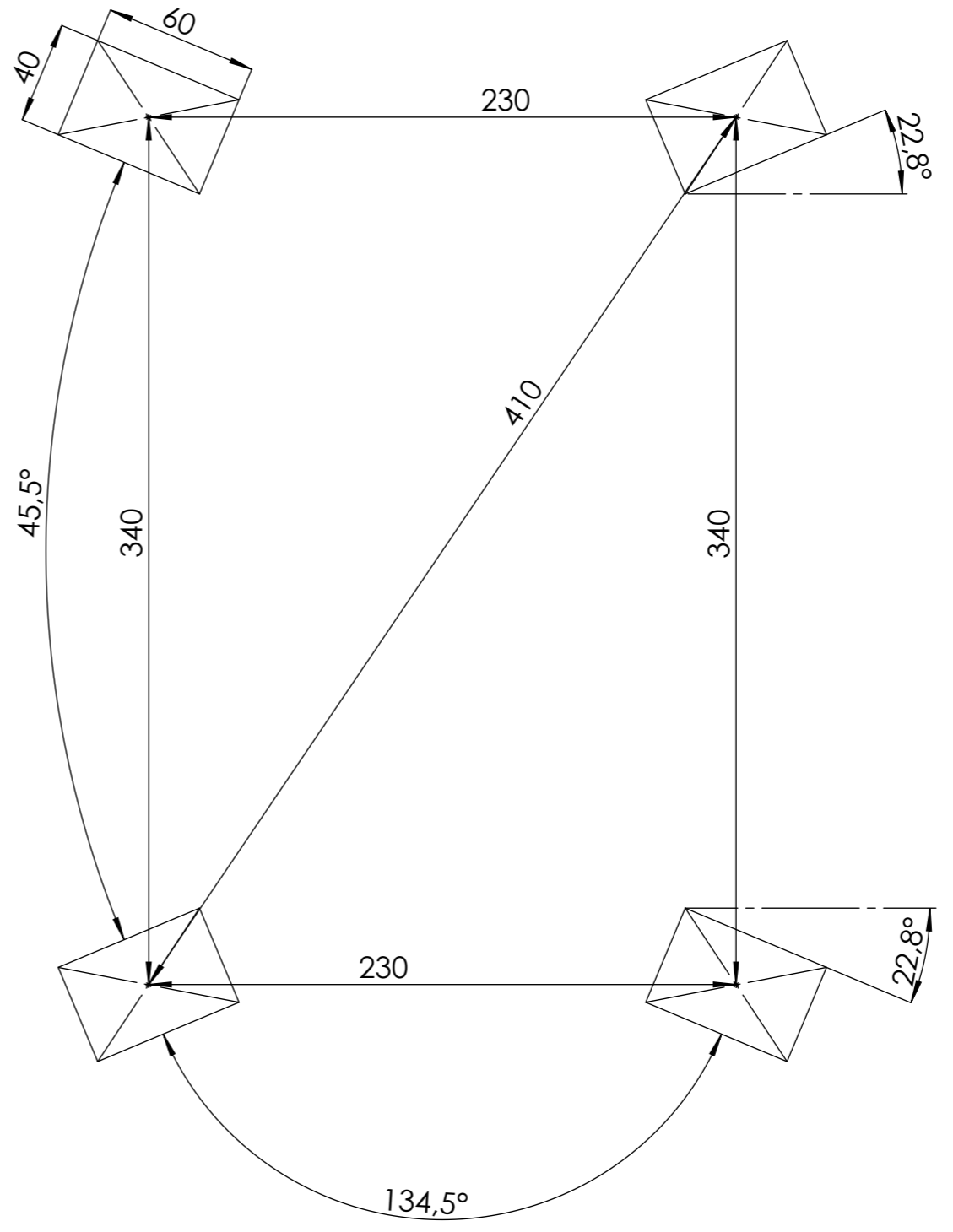
Scale / Skala
1:35

ID.
FLFJ101B

(1:20)



General foundation plan (1 : 15)



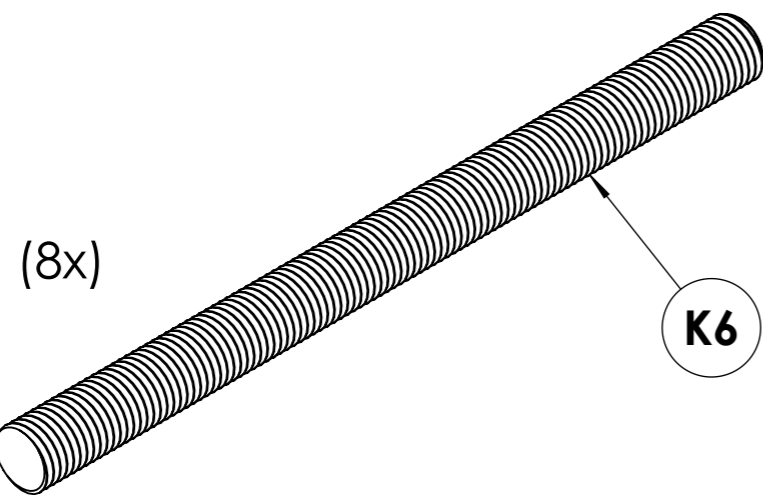
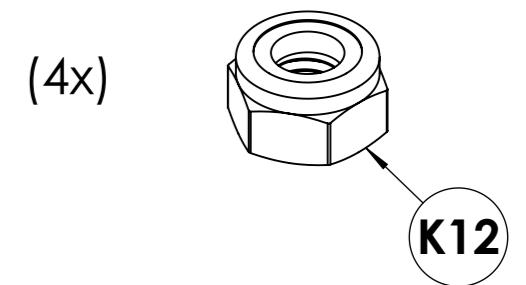
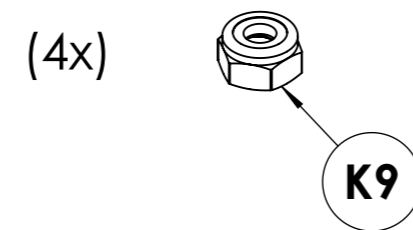
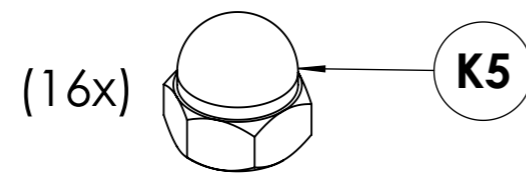
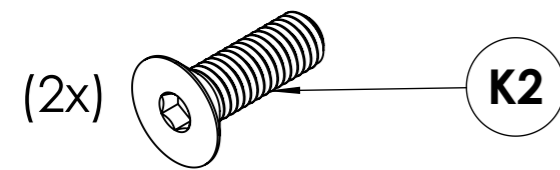
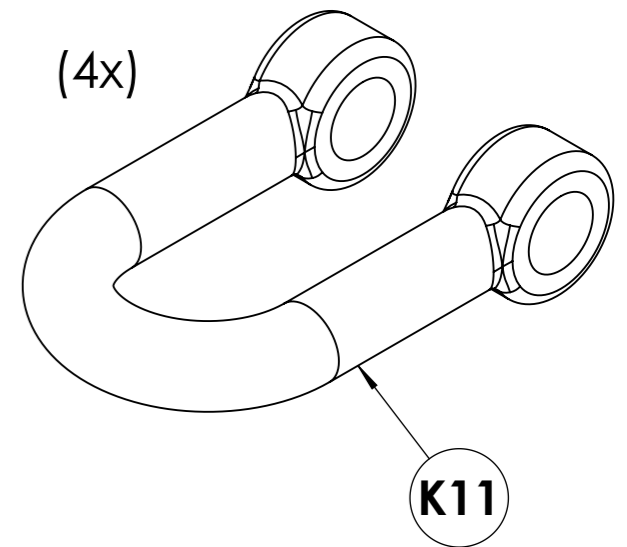
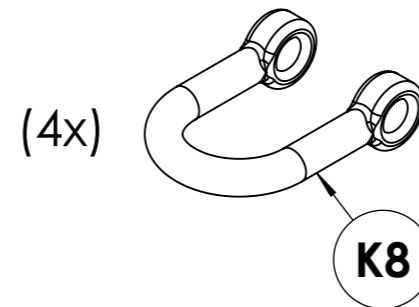
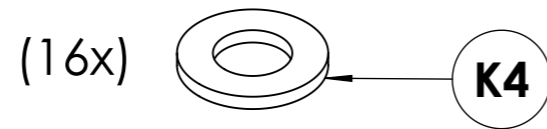
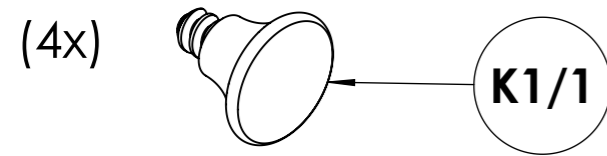
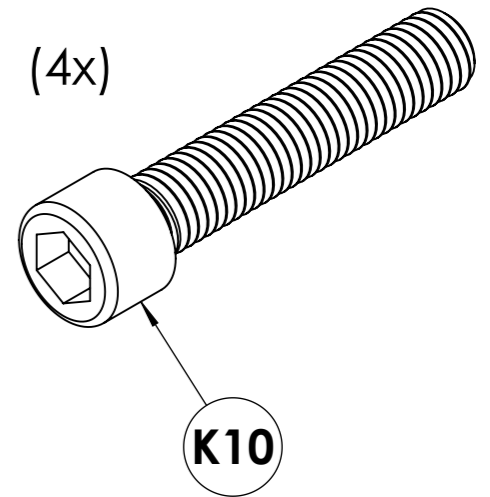
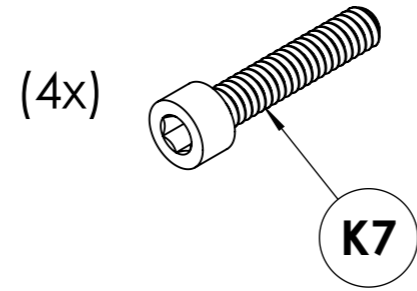
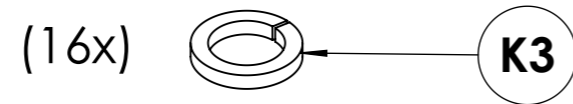
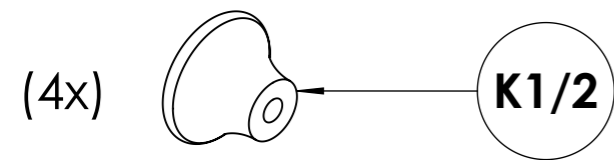
Measures are in cm

			Name / Namn		
			Swing seat and baby seat - Pier foundation FLFJ101A		
Date / Datum	Sign.	Page / Sida	Drawing	Scale / Skala	ID.
2025. 08. 29.	DK	3/8	Assembly	1:30	FLFJ101B

BOM

NR.	NAME/NAMN	ID	QT/ST
1.	Swing beam	FAB20609_B	1
2.	HZ1	FAB21671_A	2
3.	HZ2	FAB21672_A	2
4.	Swing beam cap	FAB23567_A	2
5.	Swing hook		4
6.	Swing seat		1
7.	Baby seat		1
8.	Chain plug	K1	4
9.	M8×30 Countersunk socket head screw	K2	2
10.	M10 split lock washer	K3	16
11.	M10 washer	K4	16
12.	M10 cap nut	K5	16
13.	M10×140 menetes szár	K6	8
14.	M6×30 socket head cap screw	K7	4
15.	Shackle M6	K8	4
16.	M6 self-locking nut	K9	4
17.	M12x60 socket head cap screw	K10	4
18.	Shackle M12	K11	4
19.	M12 self-locking nut	K12	4
20.	Ø10 rebar for foundation		4

			Name / Namn Swing seat and baby seat BOM FLFJ101B	
			Drawing Assembly	
Date / Datum 2025. 08. 29.		Sign. DK	Page / Sida 4/8	
			ID. FLFJ101B	



broa.

Name / Namn

Swing seat and baby seat - Fasteners

FLFJ101B

Drawing

Assembly

Scale /
Skala

1:1

ID.

FLFJ101B

Date / Datum

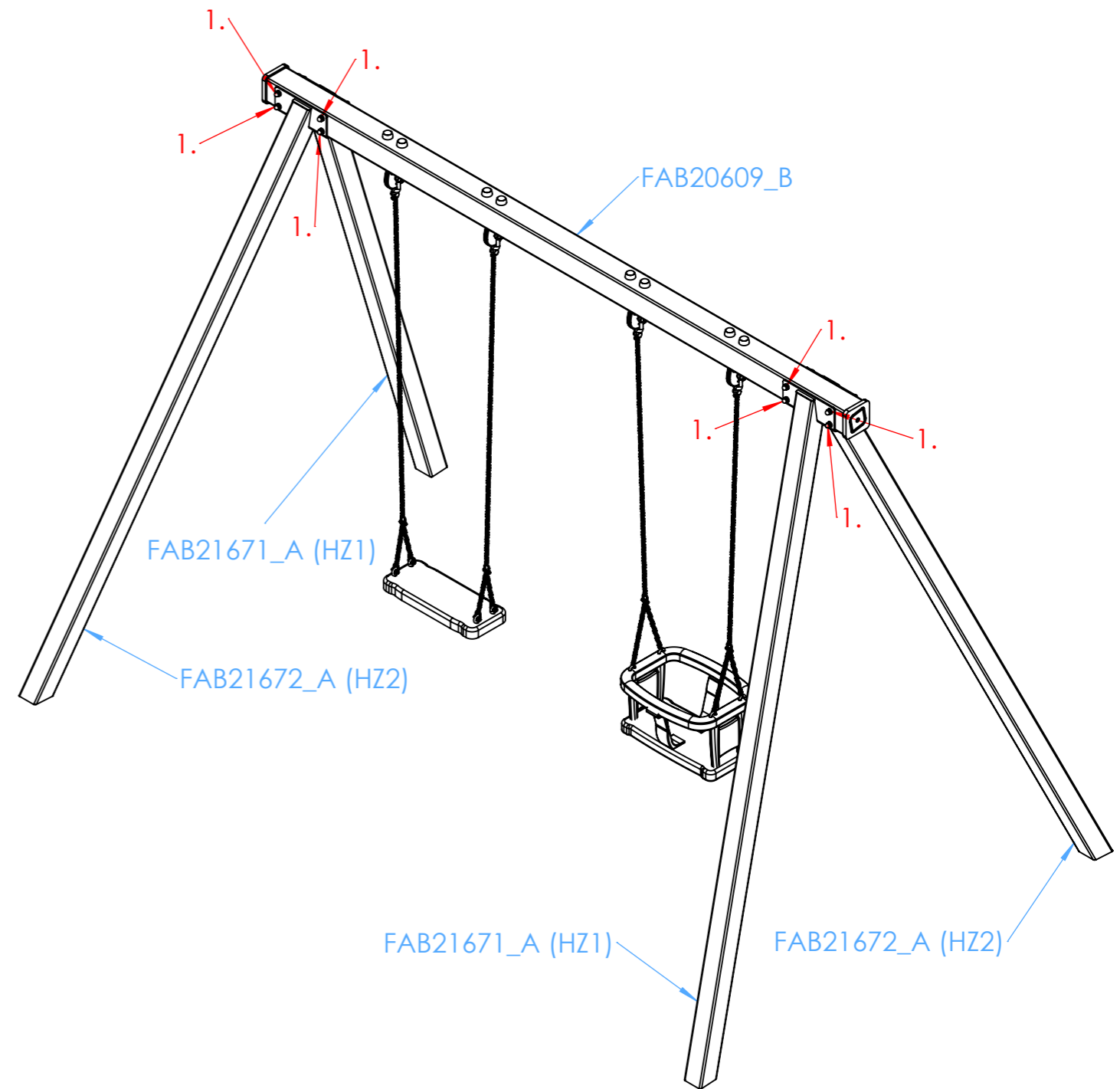
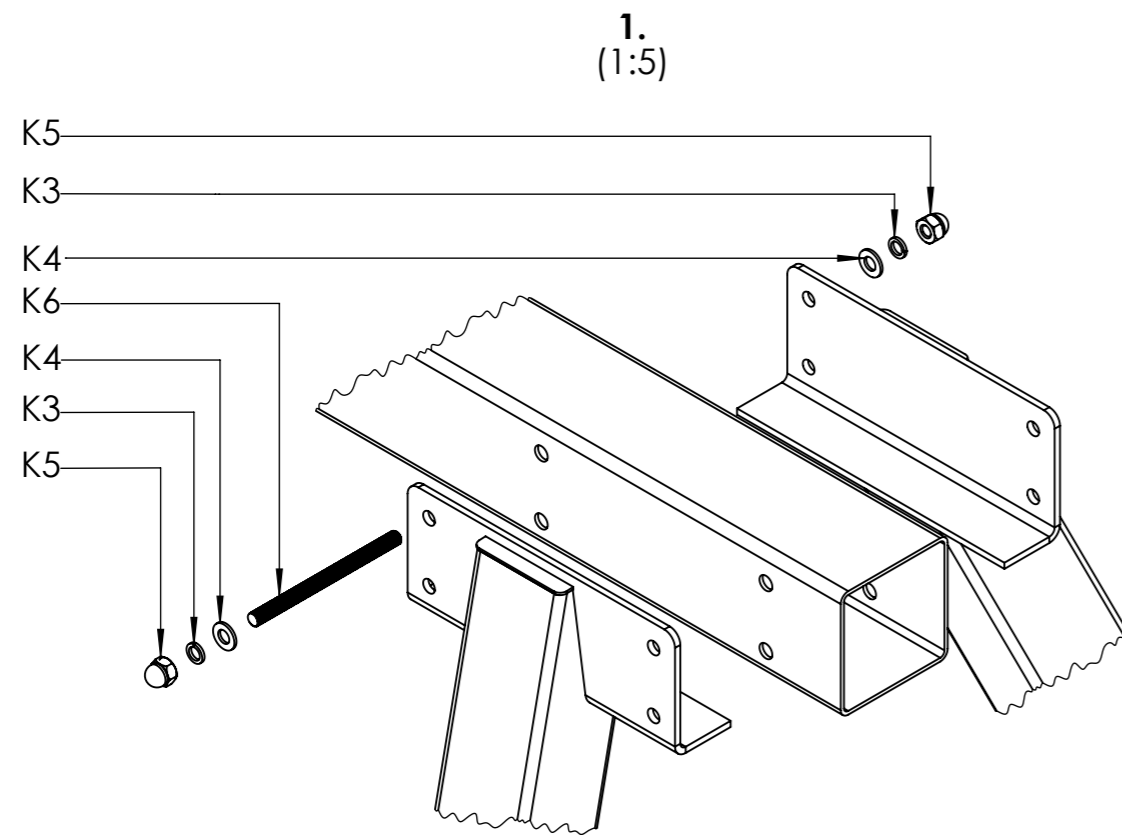
2025. 08. 29.

Sign.

DK

Page /
Sida

5/8



broa.

Name / Namn

Swing seat and baby seat - Structure

FLFJ101B

Drawing

Assembly

Scale /
Skala

1:20

ID.

FLFJ101B "D"

Date / Datum

2025. 08. 29.

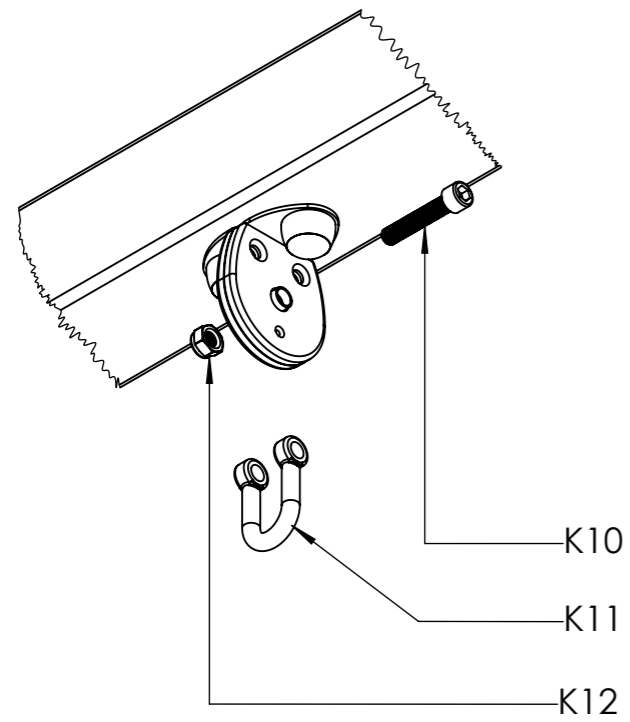
Sign.

DK

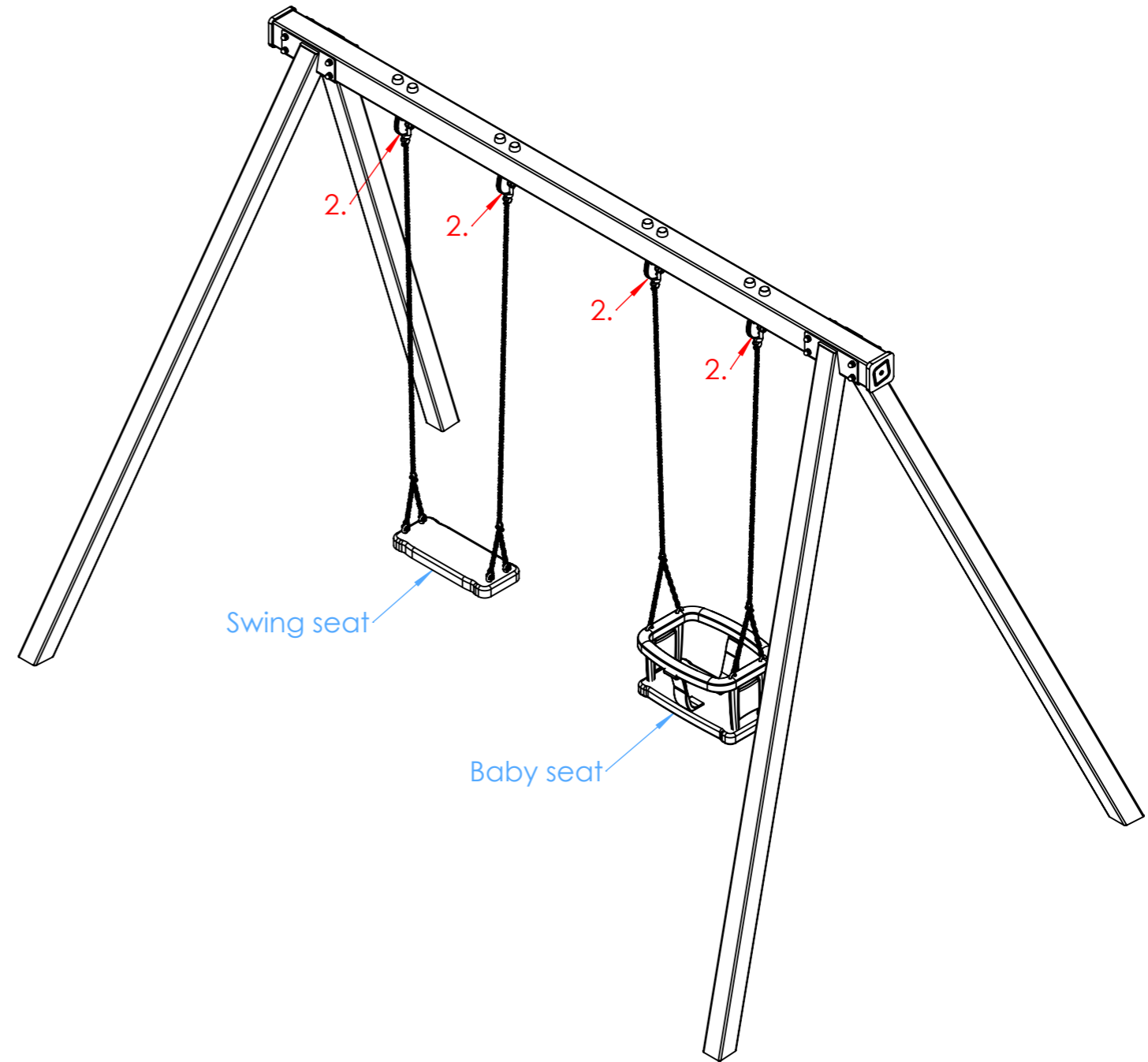
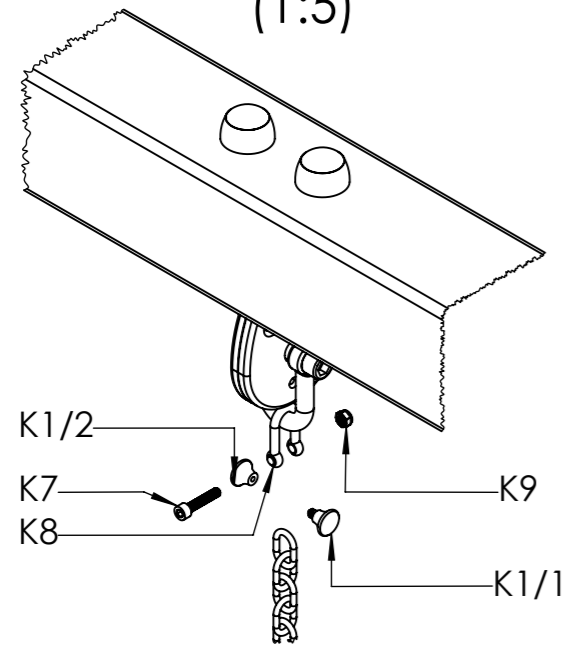
Page /
Sida

6/8

2.
(1:5)



(1:5)



broa.

Name / Namn
Swing seat and baby seat - Swing installation
FLFJ101B

Date / Datum
2025. 08. 29.

Sign.
DK

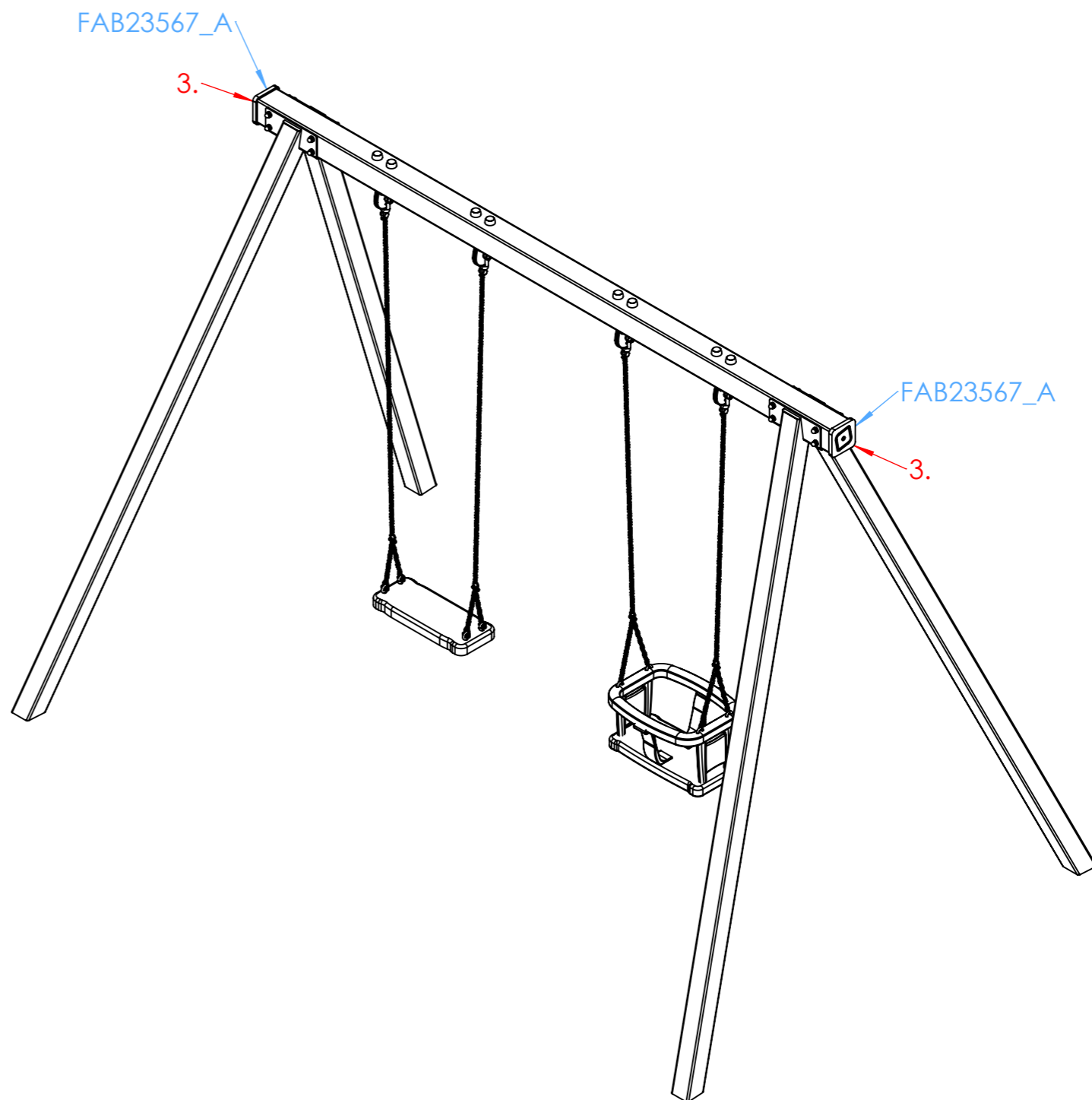
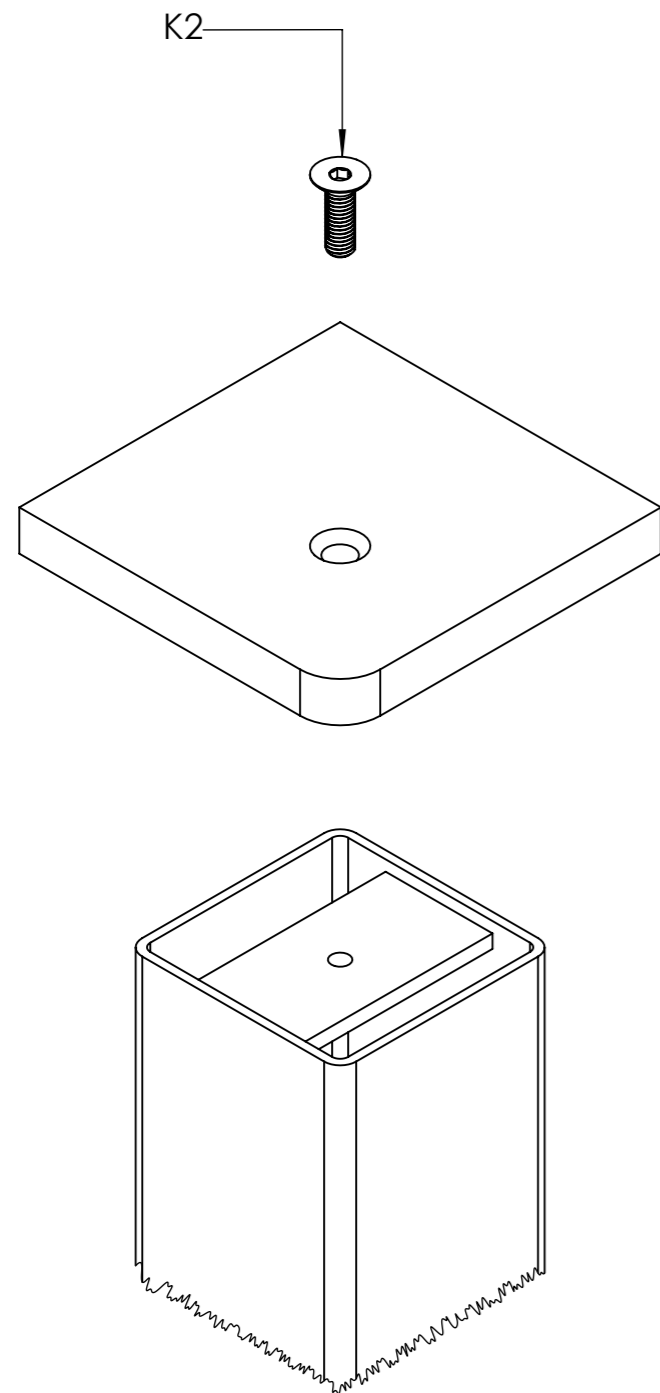
Page / Sida
7/8

Drawing
Assembly

Scale / Skala
1:20

ID.
FLFJ101B

3.
(1:2)



broa.

Name / Namn
Swing seat and baby seat -HDPE Installation
FLFJ101B

Date / Datum
2025. 08. 29.

Sign.
DK

Page / Sida
8/8

Drawing
Assembly

Scale / Skala
1:20

ID.
FLFJ101B