



### MAIN PARAMETERS

Dimensions	401 x 14 x 162 cm
Safety area	701 x 314 cm
Safety area (m <sup>2</sup> )	20 m <sup>2</sup>
Free fall height (HIC)	150 cm
Recommended age group	6-12 years
Recommended number of users	3 person
Complies with Standards	EN 1176-1

### FUNCTIONS

Horizontal bar	3 pcs
----------------	-------



BALANCING



INTERACTION



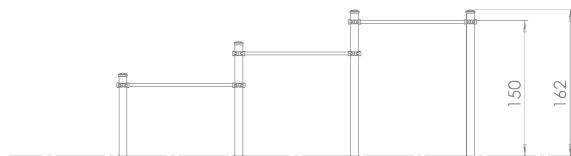
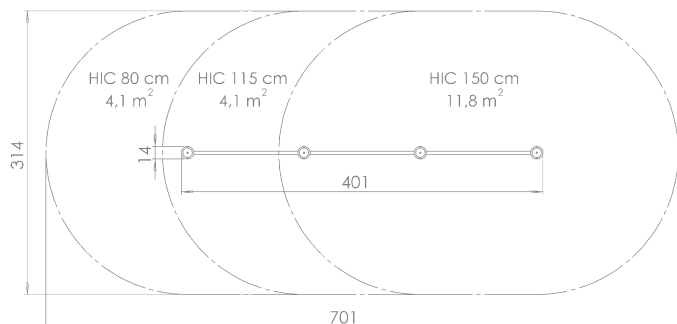
HANGING



CLIMBING

TECHNICAL DATA SHEET  
**CLIMBING STRUCTURE - TRIPLE HORIZONTAL BARS**  
**BLFJ624**

**broa.**



**SAFETY AREA**

HIC 150 cm	11,8 m <sup>2</sup>
HIC 115 cm	4,1 m <sup>2</sup>
HIC 80	4,1 m <sup>2</sup>
<b>HIC in Total</b>	<b>20 m<sup>2</sup></b>

**MATERIAL USAGE**



**Construction:** D88,9 mm, S235 carbon steel pipe. Surface treatment: hot dip galvanised, 2 layers of PE powder coating (60-70 µm per layer).



**Bars:** S235 carbon steel pipe. Surface treatment: hot dip galvanised, 2 layers PE powder coating (60-70 µm per layer).



**Connector:** welded metal pipe clamp (Q235).



**Fasteners, chains:** stainless steel.