



MAIN PARAMETERS

Dimensions	672 x 210 x 273 cm
Safety area	972 x 510 cm
Safety area (m ²)	37 m ²
Free fall height (HIC)	90 cm
Recommended age group	1-6 years
Recommended number of users	10 person
Complies with Standards	EN 1176-1 EN 1176-3
Platform area	4,3 m ²
Slide platform height	90 cm, 60 cm

FUNCTIONS

Tower	2 pcs
Slide	2 pcs
Tunnel	1 pc
Interactive play panel	1 pc
Game desk	1 pc
Stair	2 pcs
Spherical window	1 pc



SLIDING



HIDING



INTERACTION



CRAWLING



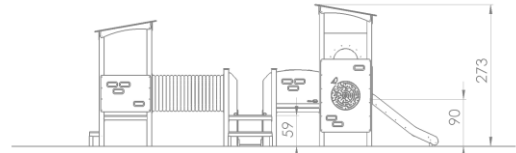
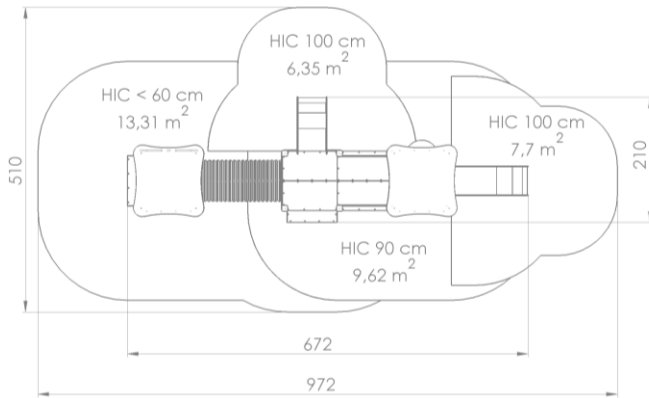
CLIMBING



TACTILE PLAY

TECHNICAL DATA SHEET
PLAY CASTLE - MINI TWO TOWERS 2
 BLFJ012W

broa.



SAFETY AREA

HIC <60 cm	13,31 m ²
HIC 90 cm	9,62 m ²
HIC 100 cm	14,5 m ²
HIC in Total	36,98 m²

MATERIAL USAGE



Construction: surface-treated, laminated scots pine posts



Bars: S235 carbon steel pipe. Surface treatment: hot dip galvanised, 2 layers of PE powder coating (60-70 µm per layer).



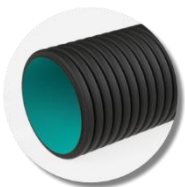
Side panels, rooftops, decorative items: 15 mm, contour milled, UV resistant HDPE plate.



Platforms: 19 mm, UV resistant, anti-slip HDPE plate.



Slide: stainless steel gliding surface, 15 mm, UV resistant HDPE plate side panels.



Tunnel: plastic (PP D 600 SN8) corrugated pipe.



Fasteners: stainless steel.



Window: colourless PS, diameter 53 cm.